

 **BOEING**
COMPONENT
MAINTENANCE MANUAL

TO: ALL HOLDERS OF FLIGHT ATTENDANT'S PANEL NO. 3 OXYGEN MODULE ASSEMBLY
COMPONENT MAINTENANCE MANUAL 35-21-51

REVISION NO. 17 DATED NOV 01/01

HIGHLIGHTS

Pages which have been added or revised are outlined below together with the highlights of the revision. Remove and insert the affected pages as listed and enter Revision No. and date on the Record of Revision Sheet.

CHAPTER/SECTION

AND PAGE NO.

TR & SB RECORD

1

702

DESCRIPTION OF CHANGE

Added a CAUTION note to make sure the release pin is in the release pin hole, not the safety pin hole, per SB 767-35-0043, 767-35-00-0044 and AD 2001-10-14.

35-21-51

HIGHLIGHTS

01.1

Page 1

Nov 01/01

**FLIGHT ATTENDANT'S PANEL NO. 3
OXYGEN MODULE ASSEMBLY**

**PART NUMBERS 417T4206-4 THRU -12,-204 THRU
-225,-227 THRU -234,
-241 THRU -243,-325,
-327,-328,-329, -401
THRU -415,-420,-421,
-435,-436,-438,-439,
-441 THRU -445,-450,
-451,-453 THRU -455,
-458,-601,-603,-604**

COMPONENT MAINTENANCE MANUAL
WITH
ILLUSTRATED PARTS LIST

35-21-51

TITLE PAGE

Page 1

Mar 01/00

01.1



REVISION RECORD

- Retain this record in front of manual. On receipt of revision, insert revised pages in the manual, and enter revision number, date inserted and initial.

REVISION NUMBER	REVISION DATE	DATE FILED	BY	REVISION NUMBER	REVISION DATE	DATE FILED	BY


BOEING
 COMPONENT
 MAINTENANCE MANUAL
TEMPORARY REVISION AND SERVICE BULLETIN RECORD

BOEING SERVICE BULLETIN	BOEING TEMPORARY REVISION	OTHER DIRECTIVE	DATE OF INCORPORATION INTO MANUAL
35-1 35A15 35A14, REV 2 35-0023 35-0027 35-0043 35-0044		PRR B10457 PRR VDCT0114 PRR VDCT0139 PRR VDCT0154 PRR B10977 PRR B11389 PRR B11757 PRR B12140-185 PRR B12472 PRR C12062-1 PRR B12139 PRR B12691 AD 2000-10-14 AD 2000-10-14	APR 10/83 JUL 10/82 JUL 10/82 JUL 10/82 OCT 10/83 APR 10/87 APR 01/91 JUL 01/91 OCT 01/92 JUN 01/95 JUN 01/95 MAR 01/96 MAR 01/96 DEC 01/97 NOV 01/01 NOV 01/01

35-21-51

TR & SB RECORD

01.1

Page 1

Nov 01/01


BOEING
 COMPONENT
 MAINTENANCE MANUAL

PAGE	DATE	CODE	PAGE	DATE	CODE
35-21-51			CHECK		
			501	MAR 01/00	01.1
			502	DEC 01/97	01.1
TITLE PAGE			REPAIR-GENERAL		
1	MAR 01/00	01.1	601	SEP 01/96	01.1
2	BLANK		602	SEP 01/96	01.1
REVISION RECORD			REPAIR 1-1		
1	JUL 10/83	01	601	SEP 01/96	01.1
2	BLANK		602	SEP 01/96	01.1
TR & SB RECORD			603	MAR 01/00	01.1
*1	NOV 01/01	01.1	604	DEC 01/97	01.1
2	BLANK		REPAIR 2-1		
LIST OF EFFECTIVE PAGES			601	MAR 01/00	01.1
*1	NOV 01/01	01	602	JUL 01/01	01.1
THRU LAST PAGE			603	MAR 01/00	01.1
CONTENTS			604	BLANK	
1	JUL 10/83	01	REPAIR 3-1		
2	BLANK		601	SEP 01/96	01.1
INTRODUCTION			602	SEP 01/96	01.1
1	APR 10/87	01.1	603	SEP 01/96	01.1
2	BLANK		604	SEP 01/96	01.1
DESCRIPTION & OPERATION			605	SEP 01/96	01.1
1	JUL 10/87	01.1	606	BLANK	
2	BLANK		ASSEMBLY		
TESTING & TROUBLE SHOOTING			701	MAR 01/00	01.1
101	JUL 10/83	01	*702	NOV 01/01	01.1
102	BLANK		703	MAR 01/00	01.101
DISASSEMBLY			704	MAR 01/00	01.1
301	MAR 01/00	01.1	705	MAR 01/00	01.1
302	MAR 01/00	01.1	706	MAR 01/00	01.1
CLEANING			707	MAR 01/00	01.1
401	JUL 10/83	01	708	MAR 01/00	01.1
402	BLANK		SPECIAL TOOLS		
			901	JUL 10/87	01.1
			902	BLANK	

* = REVISED, ADDED OR DELETED

35-21-51

EFFECTIVE PAGES

CONTINUED Page 1

01 Nov 01/01

PAGE	DATE	CODE	PAGE	DATE	CODE
ILLUSTRATED PARTS LIST			ILLUSTRATED PARTS LIST		
1001	JUL 10/83	01	1043	MAR 01/00	01.1
1002	MAR 01/00	01.1	1044	MAR 01/00	01.1
1003	MAR 01/00	01.1	1045	MAR 01/00	01.1
1004	MAR 01/00	01.1	1046	MAR 01/00	01.1
1005	MAR 01/00	01.1	1047	MAR 01/00	01.1
1006	MAR 01/00	01.1	1048	MAR 01/00	01.1
1007	MAR 01/00	01.1	1049	MAR 01/00	01.1
1008	MAR 01/00	01.1	1050	MAR 01/00	01.1
1009	MAR 01/00	01.1	1051	MAR 01/00	01.1
1010	MAR 01/00	01.1	1052	MAR 01/00	01.1
1011	MAR 01/00	01.1	1053	MAR 01/00	01.1
1012	MAR 01/00	01.1	1054	MAR 01/00	01.1
1013	MAR 01/00	01.1	1055	MAR 01/00	01.1
1014	MAR 01/00	01.1	1056	MAR 01/00	01.1
1015	MAR 01/00	01.1	1057	MAR 01/00	01.1
1016	MAR 01/00	01.1	1058	MAR 01/00	01.1
1017	MAR 01/00	01.1	1059	MAR 01/00	01.1
1018	MAR 01/00	01.1	1060	MAR 01/00	01.1
1019	MAR 01/00	01.1	1061	MAR 01/00	01.1
1020	MAR 01/00	01.1	1062	MAR 01/00	01.1
1021	MAR 01/00	01.1	1063	MAR 01/00	01.1
1022	MAR 01/00	01.1	1064	MAR 01/00	01.1
1023	MAR 01/00	01.1	1065	MAR 01/00	01.1
1024	MAR 01/00	01.1	1066	MAR 01/00	01.1
1025	MAR 01/00	01.1	1067	MAR 01/00	01.1
1026	MAR 01/00	01.1	1068	MAR 01/00	01.1
1027	MAR 01/00	01.1	1069	MAR 01/00	01.1
1028	MAR 01/00	01.1	1070	MAR 01/00	01.1
1029	MAR 01/00	01.1	1071	MAR 01/00	01.1
1030	MAR 01/00	01.1	1072	MAR 01/00	01.1
1031	MAR 01/00	01.1	1073	MAR 01/00	01.1
1032	MAR 01/00	01.1	1074	MAR 01/00	01.1
1033	MAR 01/00	01.1	1075	MAR 01/00	01.1
1034	MAR 01/00	01.1	1076	MAR 01/00	01.1
1035	MAR 01/00	01.1	1077	MAR 01/00	01.1
1036	MAR 01/00	01.1	1078	MAR 01/00	01.1
1037	MAR 01/00	01.1	1079	MAR 01/00	01.1
1038	MAR 01/00	01.1	1080	MAR 01/00	01.1
1039	MAR 01/00	01.1	1080A	MAR 01/00	01.1
1040	MAR 01/00	01.1	1080B	MAR 01/00	01.1
1041	MAR 01/00	01.1	1080C	MAR 01/00	01.1
1042	MAR 01/00	01.1	1080D	MAR 01/00	01.1

* = REVISED, ADDED OR DELETED

35-21-51

EFFECTIVE PAGES
 CONTINUED Page 2
 01 Nov 01/01


BOEING
 COMPONENT
 MAINTENANCE MANUAL

PAGE	DATE	CODE	PAGE	DATE	CODE
ILLUSTRATED PARTS LIST		CONT.	ILLUSTRATED PARTS LIST		CONT.
1080E	MAR 01/00	01.1	1082S	MAR 01/00	01.1
1080F	MAR 01/00	01.1	1082T	MAR 01/00	01.1
1080G	MAR 01/00	01.1	1082U	MAR 01/00	01.1
1080H	MAR 01/00	01.1	1082V	MAR 01/00	01.1
1080I	MAR 01/00	01.1	1082W	MAR 01/00	01.1
1080J	MAR 01/00	01.1	1082X	MAR 01/00	01.1
1080K	MAR 01/00	01.1	1082Y	MAR 01/00	01.1
1080L	MAR 01/00	01.1	1082Z	MAR 01/00	01.1
1080M	MAR 01/00	01.1	1083	MAR 01/00	01.1
1080N	MAR 01/00	01.1	1084	MAR 01/00	01.1
1080O	MAR 01/00	01.1	1084A	MAR 01/00	01.1
1080P	MAR 01/00	01.1	1084B	MAR 01/00	01.1
1080Q	MAR 01/00	01.1	1084C	MAR 01/00	01.1
1080R	MAR 01/00	01.1	1084D	MAR 01/00	01.1
1080S	MAR 01/00	01.1	1084E	MAR 01/00	01.1
1080T	MAR 01/00	01.1	1084F	MAR 01/00	01.1
1080U	MAR 01/00	01.1	1084G	MAR 01/00	01.1
1080V	MAR 01/00	01.1	1084H	MAR 01/00	01.1
1080W	MAR 01/00	01.1	1084I	MAR 01/00	01.1
1080X	MAR 01/00	01.1	1084J	MAR 01/00	01.1
1080Y	MAR 01/00	01.1	1084K	MAR 01/00	01.1
1080Z	BLANK		1084L	MAR 01/00	01.1
1081	MAR 01/00	01.1	1084M	MAR 01/00	01.1
1082	MAR 01/00	01.1	1084N	MAR 01/00	01.1
1082A	MAR 01/00	01.1	1084O	MAR 01/00	01.1
1082B	MAR 01/00	01.1	1084P	MAR 01/00	01.1
1082C	MAR 01/00	01.1	1084Q	MAR 01/00	01.1
1082D	MAR 01/00	01.1	1084R	MAR 01/00	01.1
1082E	MAR 01/00	01.1	1084S	MAR 01/00	01.1
1082F	MAR 01/00	01.1	1084T	MAR 01/00	01.1
1082G	MAR 01/00	01.1	1084U	MAR 01/00	01.1
1082H	MAR 01/00	01.1	1084V	MAR 01/00	01.1
1082I	MAR 01/00	01.1	1084W	MAR 01/00	01.1
1082J	MAR 01/00	01.1	1084X	MAR 01/00	01.1
1082K	MAR 01/00	01.1	1084Y	MAR 01/00	01.1
1082L	MAR 01/00	01.1	1084Z	MAR 01/00	01.1
1082M	MAR 01/00	01.1	1085	MAR 01/00	01.1
1082N	MAR 01/00	01.1	1086	MAR 01/00	01.1
1082O	MAR 01/00	01.1	1086A	MAR 01/00	01.1
1082P	MAR 01/00	01.1	1086B	MAR 01/00	01.1
1082Q	MAR 01/00	01.1	1086C	MAR 01/00	01.1
1082R	MAR 01/00	01.1	1086D	MAR 01/00	01.1

* = REVISED, ADDED OR DELETED

35-21-51

EFFECTIVE PAGES

CONTINUED Page 3

01 Nov 01/01

PAGE	DATE	CODE	PAGE	DATE	CODE
ILLUSTRATED	PARTS LIST	CONT.			
1086E	MAR 01/00	01.1			
1086F	MAR 01/00	01.1			
1086G	MAR 01/00	01.1			
1086H	MAR 01/00	01.1			
1086I	MAR 01/00	01.1			
1086J	MAR 01/00	01.1			
1086K	MAR 01/00	01.1			
1086L	MAR 01/00	01.1			

* = REVISED, ADDED OR DELETED

35-21-51

EFFECTIVE PAGES
 LAST PAGE Page 4
 01 Nov 01/01



TABLE OF CONTENTS

<u>Paragraph Title</u>	<u>Page</u>
Description and Operation	1
Testing and Trouble Shooting.	101
Disassembly	301
Cleaning.	401
Check	501
Repair.	601
Assembly.	701
Fits and Clearances (not applicable)	
Special Tools, Fixtures, and Equipment (not applicable)	
Illustrated Parts List.	1001

35-21-51

CONTENTS

01

Page 1

Jul 10/83



INTRODUCTION

The instructions in this manual provide the information necessary to perform maintenance functions ranging from simple checks and replacement to complete shop-type repair.

This manual is divided into separate sections:

- | | |
|--|---|
| <ol style="list-style-type: none"> 1. Title Page 2. Record of Revisions 3. Temporary Revision &
Service Bulletin Record | <ol style="list-style-type: none"> 4. List of Effective Pages 5. Table of Contents 6. Introduction 7. Procedures & IPL Sections |
|--|---|

Refer to the Table of Contents for the page location of applicable sections. An asterisked flagnote *[] in place of the page number indicates that no special instructions are provided since the function can be performed using standard industry practices.

The beginning of the REPAIR section includes a list of the separate repairs and a list of applicable standard Boeing practices.

An explanation of the use of the Illustrated Parts List is provided in the Introduction to that section.

All weights and measurements used in the manual are in English units, unless otherwise stated. When metric equivalents are given they will be in parentheses following the English units.

Design changes, optional parts, configuration differences and Service Bulletin modifications create alternate part numbers. These are identified in the Illustrated Parts List (IPL) by adding an alphabetical character to the basic item number. The resulting item number is called an alpha-variant. Throughout the manual, IPL basic item number references also apply to alpha-variants unless otherwise indicated.

Verification:

Testing/Trouble Shooting -- Aug 4/86
Disassembly -- Aug 4/86
Assembly -- Aug 4/86

35-21-51

INTRODUCTION

01.1

Page 1

Apr 10/87



FLIGHT ATTENDANT PANEL NO. 3 OXYGEN MODULE ASSEMBLY

DESCRIPTION AND OPERATION

1. Description

A. The flight attendant panel No. 3 oxygen module assembly consists of a chemical oxygen generator, oxygen masks, and a container assembly. It provides a supply of oxygen in an emergency.

2. Operation

A. When cabin pressure falls, the door latch actuator opens the panel door allowing the oxygen masks to fall as limited by their lanyards. When the first mask is pulled into position for use, the lanyard pulls a release cable which triggers the oxygen generator to start oxygen flow to the masks.

3. Leading Particulars (approximate)

Height -- 7 inches
Width -- 5 inches
Length -- 17 inches
Weight -- 8 pounds

35-21-51

DESCRIPTION & OPERATION

01.1

Page 1

Jul 10/87

TESTING/TROUBLE SHOOTING1. Equipment

A. Variable DC power supply, controllable to 18v.

2. Bench test module as follows:

CAUTION: DOOR PANEL ASSY IS VISIBLE FROM CABIN INTERIOR. SPECIAL CARE MUST BE TAKEN TO PREVENT MARRING VISIBLE SURFACES.

A. Restrain door so that it will open without deploying oxygen mask assys.

B. Operate manual release lever and check that door opens smoothly. Adjust as necessary.

C. Close door and check that door latches cleanly, without binding. Adjust as necessary.

D. Energize door latch actuator with 18 vdc and ensure that door opens.

NOTE: If any adjustments are made, repeat steps A thru D.

E. Reset actuator by rotating latch against plunger until plunger engages.

F. Close and latch module door.

35-21-51

TESTING & TROUBLE SHOOTING

01

Page 101

Jul 10/83

DISASSEMBLY1. Disassembly (IPL Fig. 1; IPL Fig. 2; IPL Fig. 3)

WARNING: DO NOT ALLOW OIL, GREASE, FLAMMABLE SOLVENTS, DUST, LINT, FINE METAL FILINGS, OR OTHER COMBUSTIBLE MATERIAL TO CONTAMINATE PARTS THAT WILL BE EXPOSED TO OXYGEN. COMBUSTIBLE MATERIAL MAY IGNITE AND RESULT IN AN EXPLOSION WHEN EXPOSED TO OXYGEN.

OXYGEN GENERATOR (220; 225; 270) IS A PYROTECHNIC ACTIVATED, HIGH HEAT-PRODUCING UNIT WHICH CAN INFLICT SERIOUS BURNS. TO PREVENT INJURY TO PERSONNEL ENSURE THAT A35001-8 SAFETY PIN WITH WARNING FLAG IS PROPERLY INSTALLED IN GENERATOR ACTIVATION MECHANISM.

CAUTION: PARTS OF THE MODULE ASSY ARE VISIBLE FROM THE CABIN INTERIOR. SPECIAL CARE MUST BE TAKEN TO PREVENT MARRING VISIBLE SURFACES.

DO NOT DISASSEMBLE FACEPLATE ASSY (405; 495, 498; 480) OR REMOVE DOOR ASSY (105; 120; 160). REASSEMBLY AND REATTACHMENT REQUIRES THE USE OF COMPLEX AND EXPENSIVE JIGS TO ATTAIN CORRECT DIMENSIONAL TOLERANCES.

A. Remove screws (5; 30) and washers (10; 40) and separate shroud assembly (15; 50) from panel assembly (80; 85; 125).

B. Remove oxygen mask tubing (285; 290; 340) from generator outlet nozzles.

C. Remove activation pin (245; 250; 295) from generator activation mechanism.

D. Remove locking pins (180; 185; 230), open latches (175; 180; 225), and lift out generator (220; 225; 270).

E. Remove oxygen mask assemblies (280; 285; 335).

(1) Invert module assembly so that door assembly (105; 120; 160) faces up.

(2) Unlatch and open door assembly.

(3) Remove lanyards (300, 301; 310; 365) from release cable assembly (225; 230; 275).

(4) Remove screw (260; 265; 310) and clamp (275; 280; 330). Pull tubing through grommets (385; 400; 460) and lift out oxygen mask assys.

F. Remove release cable assy by removing screw (230; 235; 280) and washer (235; 240; 285).

35-21-51

DISASSEMBLY

01.1

Page 301

Mar 01/00

G. Remove springs (135A, 140A; 110, 115; 150, 155). Loosen nuts (95; 100 140) and remove parts (85 thru 100; 90 thru 105; 130 thru 145).

H. Remove screw (330; 340; 395), washers (335, 340; 345, 350K, 355; 400, 405) and nut (345; 360; 410) move actuator (350B; 365; 415).

I. Disassemble oxygen mask assemblies:

(1) Remove lanyard by unfastening snaphook or removing screw (Fig. 701).

(2) Remove headstrap (310; 320; 375)

CAUTION: USE CARE WHEN REMOVING PINS (160; 165; 210) FROM BLOCK (215; 220; 260). DO NOT USE EXCESSIVE FORCE OR DAMAGE MAY RESULT. DAMAGE TO BLOCK WILL REQUIRE REMOVAL AND REPLACEMENT OF DECORATIVE LAMINATE (403).

J. Remove pins (160; 165; 210) and strap (165; 170; 215).

35-21-51

DISASSEMBLY

01.1

Page 302

Mar 01/00



CLEANING

CAUTION: USE ONLY LISTED CLEANING MATERIALS. USE OF OTHER MATERIALS MAY CAUSE INSTANTANEOUS AND VISUALLY-UNDETECTABLE DAMAGE.

1. Clean all decorative plastic parts per 20-30-03, Cleaning of Interior Painted and Plastic Parts.

WARNING: DO NOT ALLOW OIL, GREASE, FLAMMABLE SOLVENTS, DUST, LINT, FINE METAL FILINGS, OR OTHER COMBUSTIBLE MATERIALS TO CONTAMINATE PARTS THAT WILL BE EXPOSED TO OXYGEN. COMBUSTIBLE MATERIAL MAY IGNITE AND RESULT IN AN EXPLOSION WHEN EXPOSED TO OXYGEN.

2. Clean all vendor supplied oxygen system components per vendor's overhaul manual.
3. Clean all oxygen system tubing and fittings per vapor degreasing in 20-30-03.

35-21-51

01

CLEANING
Page 401
Jul 10/83



CHECK

1. Look at the color of the indicator band on the oxygen generator. If the band is black, replace the generator.
2. Make a check of the 417T4315-series springs (Fig. 501).
3. Magnetic particle examine springs (135, 140; 110, 115; 150, 155) per 20-20-01.

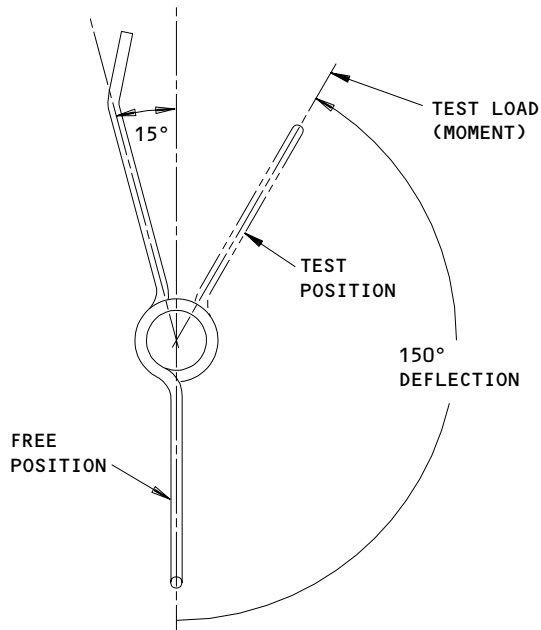
35-21-51

CHECK

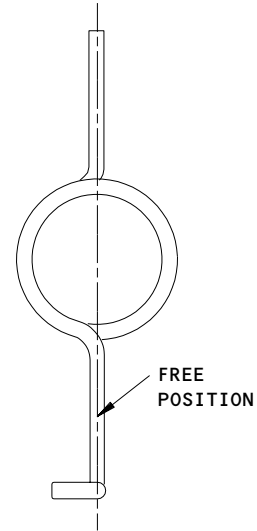
01.1

Page 501

Mar 01/00



417T4315-3 SHOWN
 417T4315-4 OPPOSITE



417T4315-5 SHOWN
 417T4315-6 OPPOSITE

SPRING PART NUMBER	MOMENT (POUND-INCHES)	DEFLECTION (DEGREES)
417T4315-3,-4	2.7-3.0	150
417T4315-5,-6	4.14-5.06	180

Spring Check
 Figure 501

35-21-51

CHECK
 Page 502
 Dec 01/97

01.1

REPAIR – GENERAL1. Content

- A. Repair, refinish, and replacement procedures are included in separate repair sections as follows:

<u>P/N</u>	<u>TITLE</u>	<u>REPAIR</u>
- - -	MISCELLANEOUS PARTS REFINISH	1-1
- - -	MISCELLANEOUS PARTS REPLACEMENT	2-1
417T4265	DOOR ASSEMBLY	3-1

2. Standard Practices

20-30-03 General Cleaning Procedures
 20-41-01 Decoding Table for Boeing Finish Codes
 20-41-02 Application of Chemical and Solvent Resistant Finishes
 20-41-04 Application and Repair of Interior Decorative Finishes
 20-42-05 Bright Cadmium Plating
 20-50-12 Application of Adhesives
 20-60-02 Finishing Materials

3. Materials

NOTE: Equivalent substitutes can be used.

- A. Primer -- BMS 10-11 type 1 (Ref 20-60-02)
 B. Primer -- BMS 10-83 type 1 (Ref 20-60-02)
 C. Enamel -- BMS 10-11 type 2 (Ref 20-60-02)
 D. Enamel -- BMS 10-83 type 2 (Ref 20-60-02)

35-21-51

REPAIR-GENERAL

01.1

Page 601

Sep 01/96

- | E. Adhesive -- Type 51 (Ref 20-50-12)
- F. Adhesive -- Type 60 (Ref 20-50-12)
- G. Adhesive -- Type 82 (Ref 20-50-12)
- | H. Adhesive -- Type 89 (Ref 20-50-12)

35-21-51

REPAIR-GENERAL

01.1

Page 602

Sep 01/96

MISCELLANEOUS PARTS REFINISH – REPAIR 1-1

1. Repair of these parts is only replacement of the original finish. Refer to REPAIR-GENERAL for a list of applicable standard practices.

NAME AND PART NO.	MATERIAL	FINISH
Brackets 417T6014-3,-6	Al alloy	Chemical treat or chromic acid anodize and apply BMS 10-11, type 1 primer (F-18.05). Apply BMS 10-83, type 1 primer and type 2 enamel (F-22.05-8813).
Brackets 417T4310-1,-2,-5, 417T4312-3,-5,-6, -10, Panels 417T4310-3, Spacer 417T4312-4, Stop 417T4312-8, Shield 417T4312-11, -13	Al alloy	Chemical treat and apply BMS 10-11, type 1 primer (F-18.06).
Strike 417T4309-1	Nylafil plastic	No finish.
Pin 417T4307-1	304 CRES	Passivate (F-17.09).
Stop 417T4308-1	303 CRES	Passivate (F-17.09).
Shroud Assy 417T6007-7,-10,-20, -21		See Fig. 602.
Faceplate Assy 417T4266-series		See Fig. 603.
Springs 417T4315-3 thru -6	17-7PH CRES	See Fig. 604.

Refinish Details
Figure 601

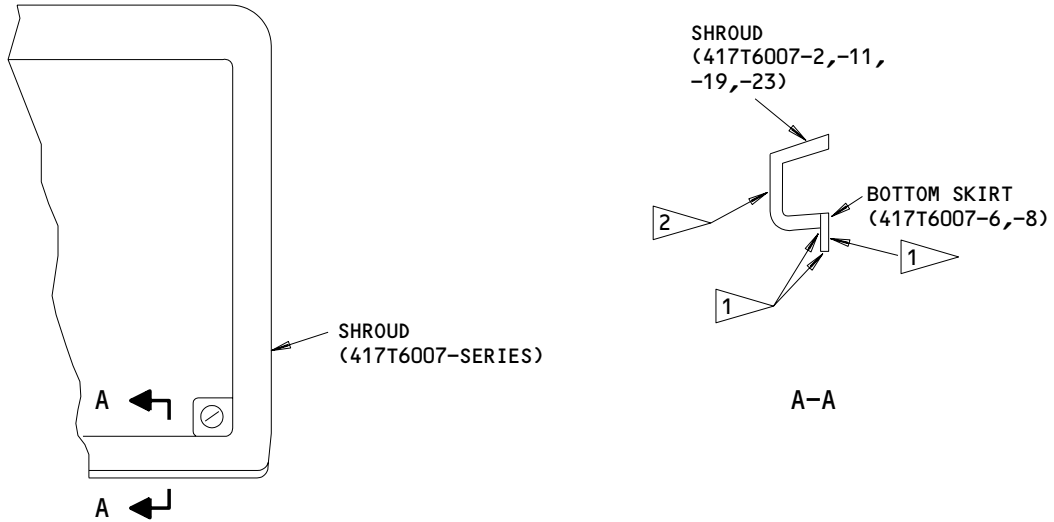
35-21-51

REPAIR 1-1

01.1

Page 601

Sep 01/96



- 1 APPLY BMS 10-83, TYPE 1 PRIMER AND TYPE 2 ENAMEL, COLOR 8161 (F-22.05-8161)
- 2 APPLY BMS 10-83, TYPE 1 PRIMER AND TYPE 2 ENAMEL, COLOR 8813 (F-22.05-8813)

Shroud Assembly Refinish
 Figure 602

44930

35-21-51

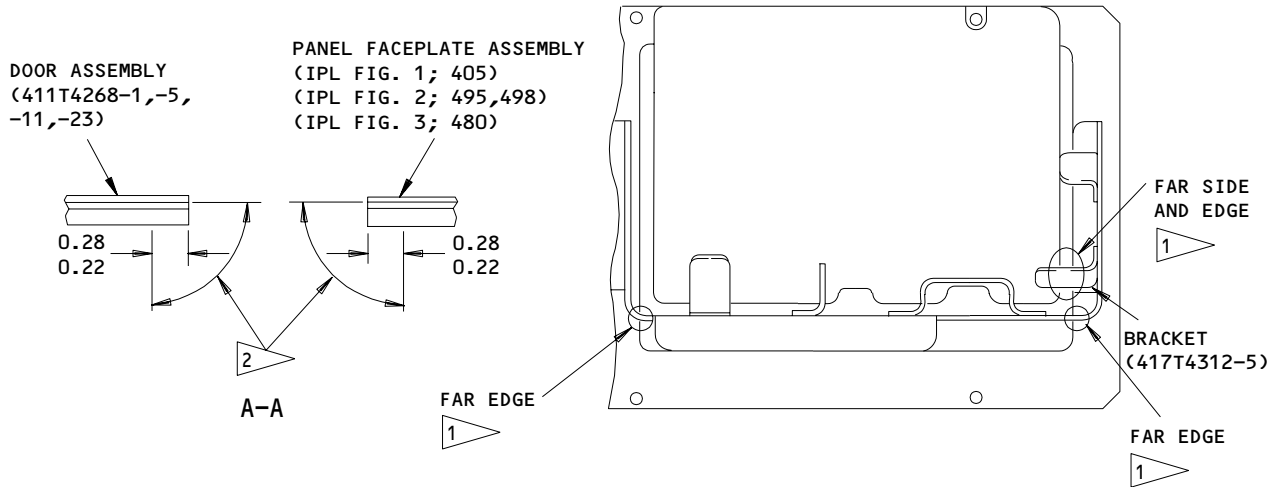
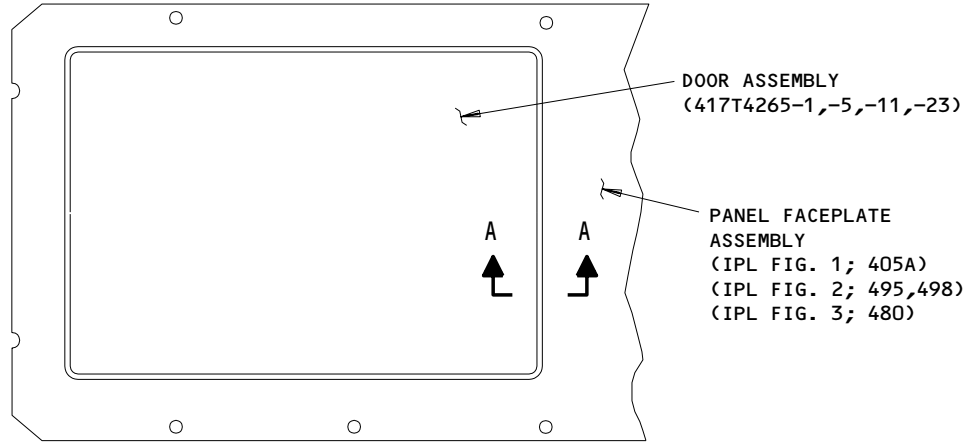
REPAIR 1-1

01.1

Page 602

Sep 01/96

BOEING
COMPONENT
MAINTENANCE MANUAL



1 APPLY BMS 10-11, TYPE 2 ENAMEL, FLAT BLACK (SRF 14.903-701)

ALL DIMENSIONS ARE IN INCHES

2 FOR ALL PANELS BUT THE 417T4268-12, USE BMS 10-11, TYPE 2 ENAMEL (SRF-14.903-8813). FOR THE 417T4268-12 PANEL, USE (SRF-14.903-8161). APPLY THIS ENAMEL ALL AROUND THE DOOR AND CUTOUT IN AREAS SHOWN. OVERSPRAY IS PERMITTED ONTO FACEPLATE AND AREAS NOT VISIBLE TO CABIN INTERIOR.

Panel Faceplate Assembly Refinish
 Figure 603

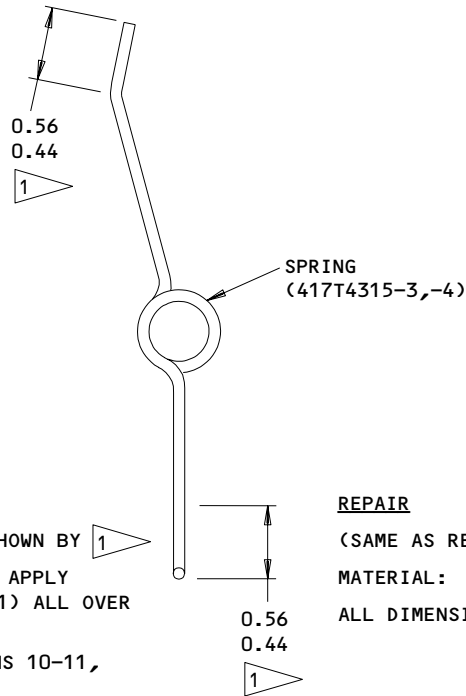
35-21-51

REPAIR 1-1

01.1

Page 603

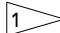
Mar 01/00



REFINISH

417T4315-3,-4: APPLY PRIMER AS SHOWN BY 

417T4315-5,-6: CADMIUM PLATE AND APPLY PRIMER, BMS 10-11, TYPE 1 (F-16.01) ALL OVER

 ON 417T4315-3,-4 ONLY, APPLY BMS 10-11, TYPE 1 PRIMER (F-20.03)

REPAIR

(SAME AS REFINISH)

MATERIAL: 17-7PH CRES, CH900

ALL DIMENSIONS ARE IN INCHES

417T4315-3 Thru -6
 Spring Refinish
 Figure 604

80699

35-21-51

REPAIR 1-1

01.1

Page 604

Dec 01/97

MISCELLANEOUS PARTS REPLACEMENT – REPAIR 2-1

NOTE: Refer to REPAIR – GENERAL for a list of applicable standard practices.
Refer to IPL Fig. 1, Fig 2, and Fig. 3 for item numbers.

1. Grommet (385, 400, 460) Replacement

- A. Remove grommets (385, 400, 460) as necessary.
- B. Bond new grommets to bracket (450, 545, 525) with type 60 adhesive per 20-50-12.

2. Connector (390, 405) Replacement (Fig. 601)

- A. Remove cable clamps (395, 410, 470) and connector (390, 405, 465) per Chapter 20 of the Wiring Diagram manual.
- B. Slide cable clamp onto wire bundle and attach red wire (power) to connector pin 1 and green wire (ground) to connector pin 2 per Chapter 20 of the Wiring Diagram manual.
- C. Attach cable clamp (395, 410, 470).

3. Block (215, 220) Replacement

- A. Remove and discard laminate (403).
- B. Remove screws (155, 160, 195) and block (215, 220, 260).
- C. Attach a replacement block with screws (155, 160, 195) and bond a replacement laminate (403) to faceplate (Fig. 1, 405), (Fig. 2, 495, 498), (Fig. 3, 480) with type 82 adhesive per 20-50-12. Cut the laminate to fit the faceplate within 0.01 inch.

4. Lanyard (300, 301, 310, 365) Replacement

- A. Attach ring (Fig. 1, 295, 296), (Fig. 2, 305), (Fig. 3, 355) and snaphook (Fig. 1, 305A), (Fig. 3, 315), or eyelet (Fig. 1, 328), (Fig. 3, 360) as applicable, to lanyard (Fig. 1, 300, 301), (Fig. 2, 310), (Fig. 3, 365). Make loops in the ends of the lanyard and install headstrap clamps (290, 295, 345) to make the overall length of the lanyard be 6.25–6.75 inches.

35-21-51

REPAIR 2-1

01.1

Page 601

Mar 01/00

B. Lanyard Test

- (1) Hang the mask by the lanyard from a hook or peg, or attach the free end of the lanyard to an equivalent object.
- (2) Attach a force gage which can measure 30 pounds, or a 30-pound weight, to the ring at the mask faceplate.
- (3) Apply the force or weight to the ring as a static load. Apply all of the load in 5 seconds or less. Hold the load for 2 or 3 seconds, then release.
- (4) Make sure the lanyard parts stay together.

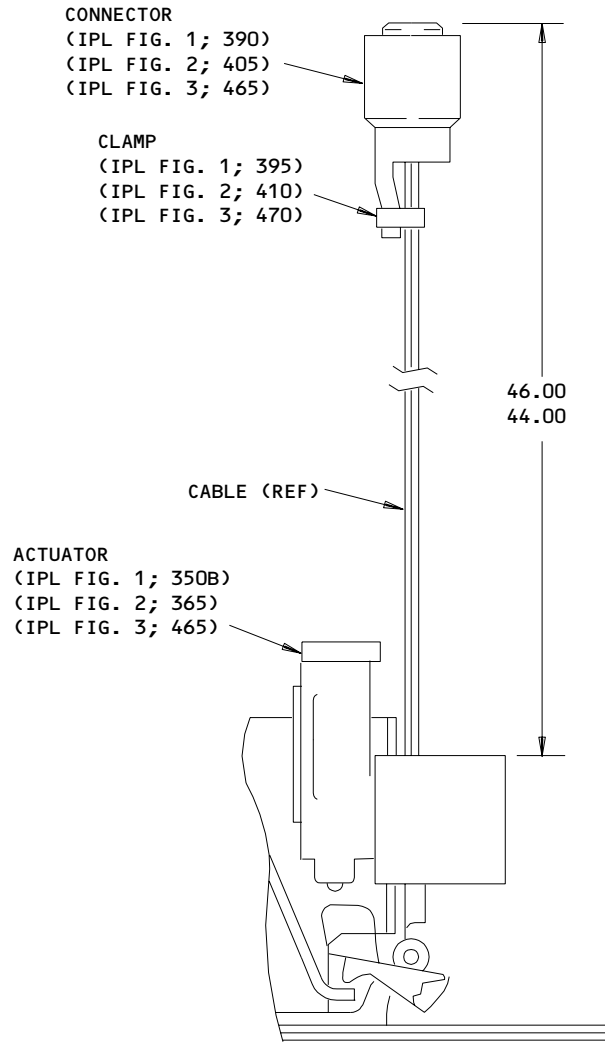
35-21-51

REPAIR 2-1

01.1

Page 602

Jul 01/01



ALL DIMENSIONS ARE IN INCHES

Connector Replacement
Figure 601

44940

35-21-51

REPAIR 2-1

01.1

Page 603

Mar 01/00

DOOR ASSEMBLY – REPAIR 3-1

417T4265-1, -5, -11, -20, -23

NOTE: Refer to REPAIR – GENERAL for a list of applicable standard practices.

1. Strike and Bracket (Fig. 601, 602)

- A. As necessary, remove the defective strike and adhesive, or rivets and brackets, from the door panel.
- B. Install replacement brackets with new rivets as shown. Drill holes in the brackets, as shown.
- C. Install a replacement strike as shown, and bond it to the panel with adhesive Type 51, 82 or 89 per SOPM 20-50-12.

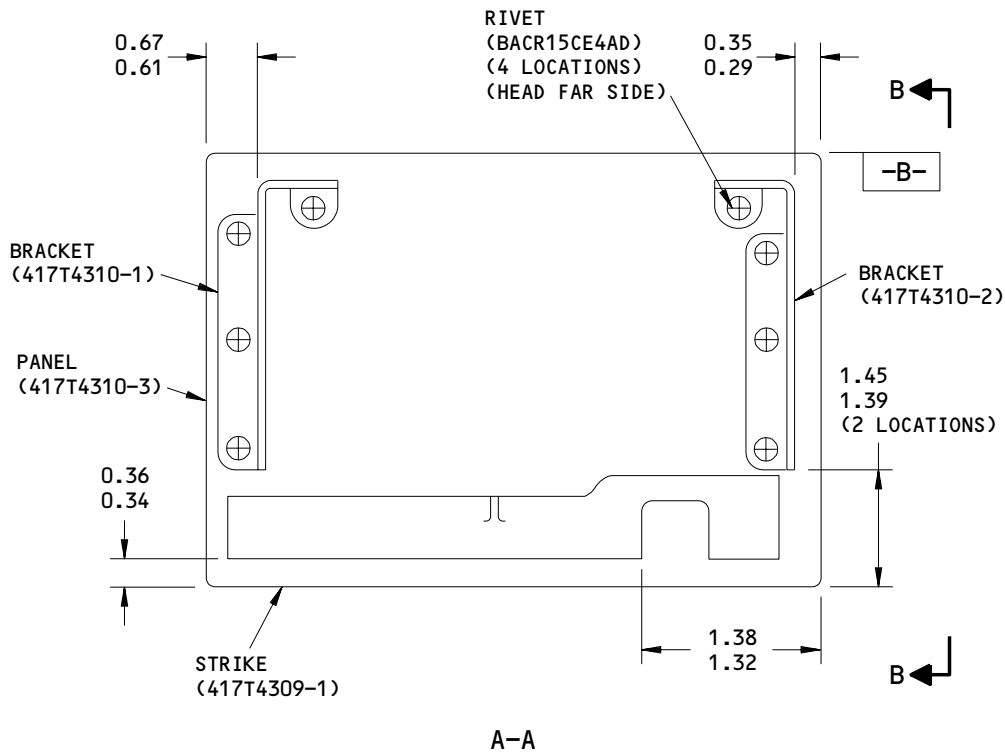
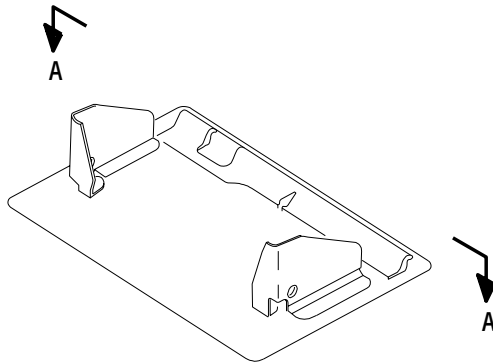
35-21-51

REPAIR 3-1

01.1

Page 601

Sep 01/96



417T4265-1,-5,-11,-20
 Door Assembly Parts Replacement
 Figure 601 (Sheet 1)

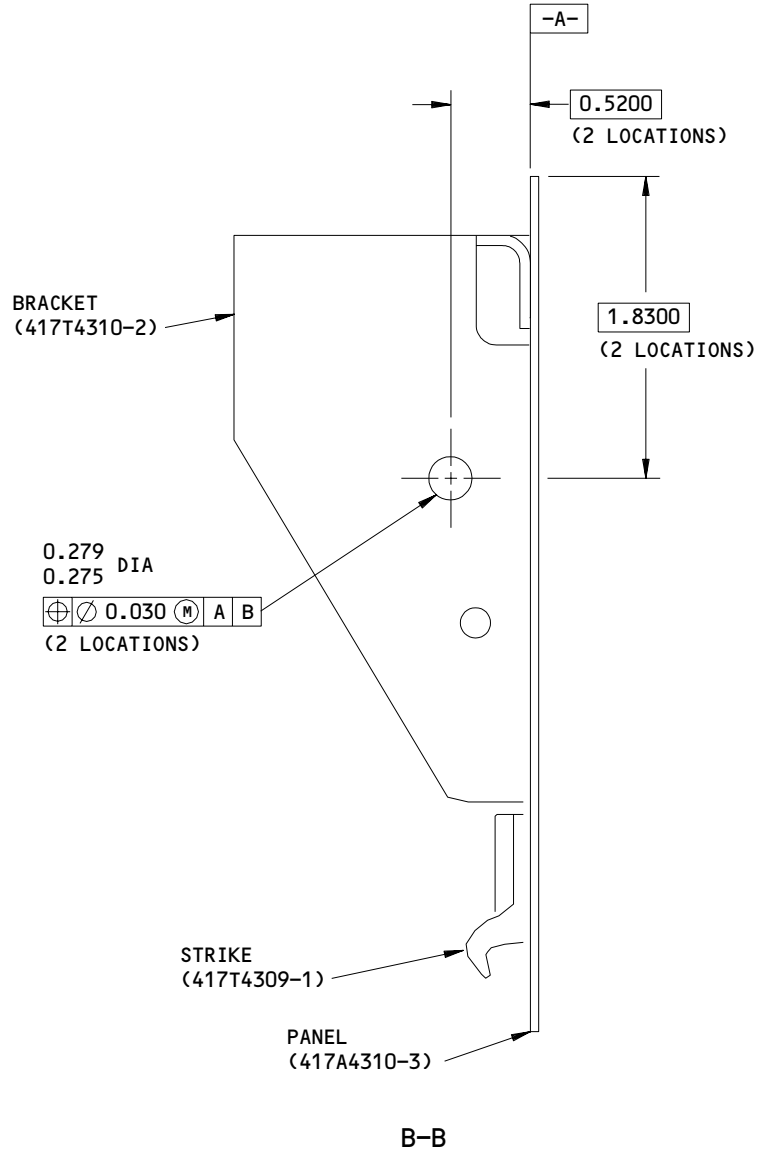
35-21-51

REPAIR 3-1

Page 602

Sep 01/96

01.1



ALL DIMENSIONS ARE IN INCHES

417T4265-1,-5,-11,20
 Door Assembly Parts Replacement
 Figure 601 (Sheet 2)

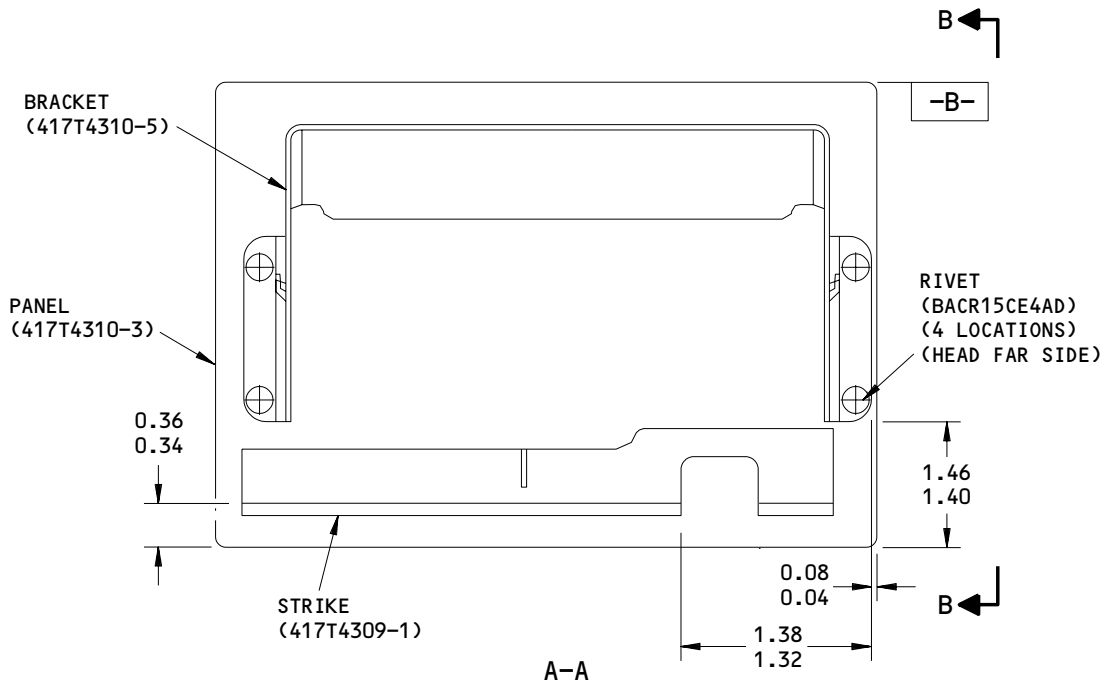
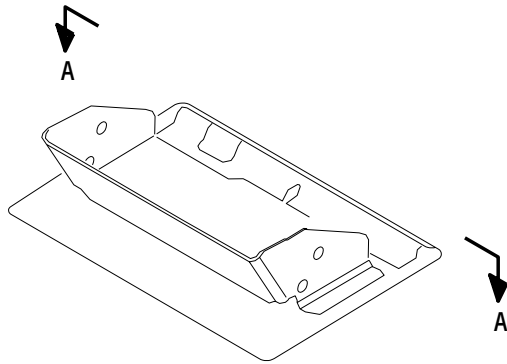
35-21-51

REPAIR 3-1

Page 603

Sep 01/96

01.1



417T4265-23
 Door Assembly Parts Replacement
 Figure 602 (Sheet 1)

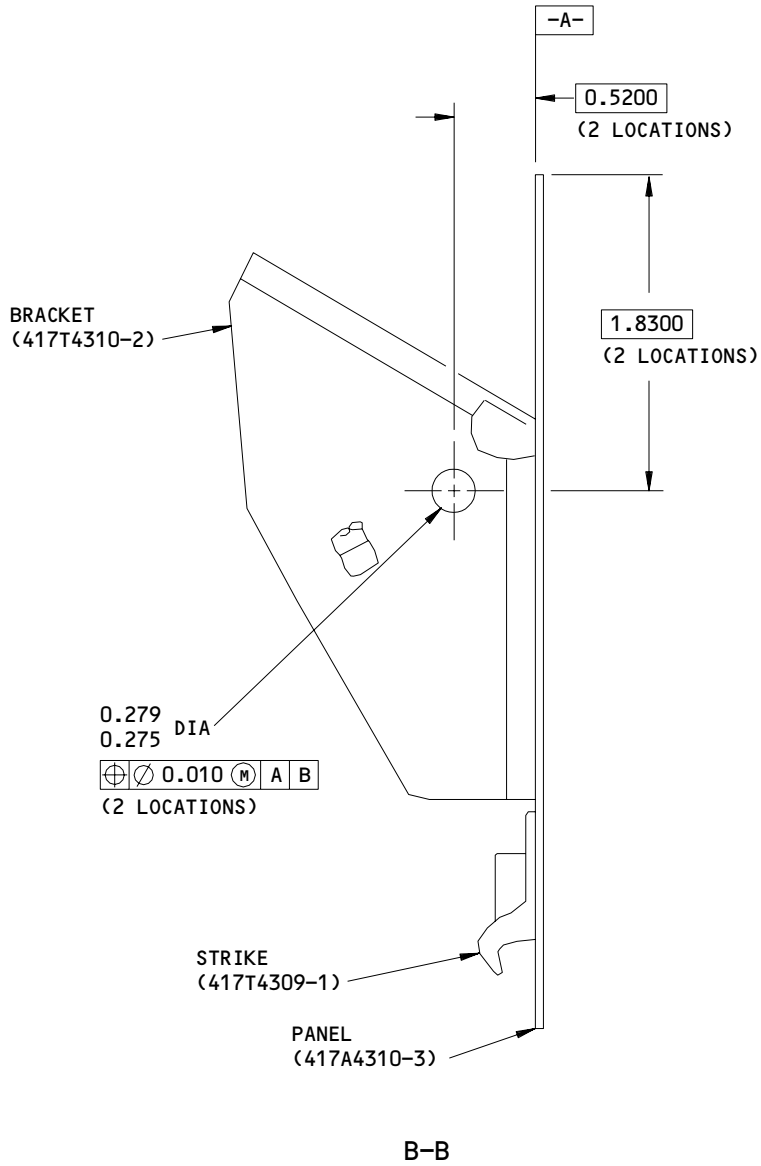
35-21-51

REPAIR 3-1

Page 604

Sep 01/96

01.1



ALL DIMENSIONS ARE IN INCHES

417T4265-23
Door Assembly Parts Replacement
Figure 602 (Sheet 2)

35-21-51

REPAIR 3-1

Page 605

Sep 01/96

01.1

**BOEING**
COMPONENT
MAINTENANCE MANUALASSEMBLY| 1. Assembly (IPL Fig. 1; IPL Fig. 2; IPL Fig. 3)

WARNING: DO NOT ALLOW OIL, GREASE, FLAMMABLE SOLVENTS, DUST, LINT, FINE METAL FILINGS, OR OTHER COMBUSTIBLE MATERIAL TO CONTAMINATE PARTS THAT MAY BE EXPOSED TO OXYGEN. COMBUSTIBLE MATERIAL MAY IGNITE AND RESULT IN AN EXPLOSION WHEN EXPOSED TO OXYGEN.

| A. Assemble oxygen mask assemblies (280; 285; 335).

| (1) Attach lanyard eyelet (Fig.1, 328), (Fig. 3, 360) or snaphook (Fig. 1, 305A), as applicable, to oxygen mask (Fig. 701).

| (2) Attach headstrap (310; 320; 375) to mask with headstrap clips (290; 295, 345).

| CAUTION: PARTS OF MODULE ASSY ARE VISIBLE FROM CABIN INTERIOR. SPECIAL CARE MUST BE TAKEN TO PREVENT MARRING VISIBLE SURFACES.

| CAUTION: USE CARE WHEN INSERTING PINS (160; 165; 210) INTO BLOCK (215; 220; 260) DO NOT DRIVE PINS OR DAMAGE MAY RESULT. DAMAGE TO BLOCK WILL REQUIRE REMOVAL AND REPLACEMENT OF DECORATIVE LAMINATE (403)

| B. Attach strap (165; 170;215) by pressing pin (160; 165; 210) into block (215; 220; 260) and through strap.

| C. Attach springs (135, 140; 110, 115; 150, 155) per Fig. 702 but do not tighten nuts (95; 100; 140). Align door panel per Fig. 702, then tighten nuts (95; 100; 140) .

| D. Attach actuator (350; 365; 415) with screws (330; 340; 395), washers (335, 340; 345, 350, 355; 400,405) and nuts (345; 360; 410) and adjust clearance per Fig. 703.

| E. Attach release cable (225; 230; 275) with screw (230; 235; 280) and washer (235; 240; 285).

| F. Pack oxygen mask assemblies (280; 285; 335).

| (1) Unfold and flatten bag (320; 330; 385). Lay headstrap (310; 320; 375; 390) on top of bag and fold bag in thirds, lengthwise.

| (2) Wrap folded bag up side of mask (325; 335; 390) and drape into mask. The bag-tubing connection should be approximately centered in bottom of mask, with excess bag above mask 1.0-2.0 inches.

35-21-51

ASSEMBLY

01.1

Page 701

Mar 01/00

- (3) Coil tubing (285; 290; 340) counterclockwise from bottom of mask, coiling tubing on top of bag.

NOTE: Tubing must be pressed firmly down and against inside wall of mask to achieve correct coiling.

- (4) Ensure that ring (296; 305; 355) is outside mask assembly.
- (5) Make sure that release cable (225; 230; 275) goes thru the rings of the mask assembly (280; 285; 335).
- (6) Uncoil 16.0–20.0 inches of tubing. Do not fold bag on top of remaining tubing coiled in mask (Fig. 704).

WARNING: OXYGEN GENERATOR IS A PYRO-TECHNIC ACTIVATED, HIGH HEAT PRODUCING UNIT WHICH CAN INFLICT SERIOUS BURNS. TO PREVENT INJURY TO PERSONNEL, ENSURE THAT A35001-8 SAFETY PIN WITH WARNING FLAG IS PROPERLY INSTALLED ON UNACTIVATED GENERATOR.

- G. Place unactivated generator (220; 225; 270) in clamps (145, 150; 150, 155; 200, 205) and close latches (175; 180; 225). Put lockpins (180; 185; 230) into latches.

CAUTION: REFER TO SB 767-35-0043, 767-35-0044 TO MAKE SURE THE RELEASE PIN IS IN THE RELEASE PIN HOLE, AND NOT IN THE SAFETY PIN HOLE (AD 2001-10-14).

- H. Turn module assy face panel side up and open door. Thread release cable through rings (295; 305; 355) and insert release pin (245; 250; 295) into generator activation mechanism. Place masks into box per Fig. 705 and route tubing through hole in mask shield (465; 560; 540). Close and latch door.

NOTE: Do not remove safety pin with warning flag from generator after inserting release pin (245; 250; 295).

CAUTION: GENERATOR OUTLET NOZZLES MUST BE SUPPORTED WHEN OXYGEN MASK TUBING IS ATTACHED.

- I. Route tubing through grommets (385; 400; 460), clamp (275; 280; 330) and onto generator outlet nozzles. Attach clamp to side panel (470; 565; 545) with screw (260; 265; 310), washer (265; 270; 315), and nut (270; 275; 320).

NOTE: Ensure that there are no sharp bends or crimps in tubing.

CAUTION: DO NOT TIGHTEN SCREWS (5; 30) MORE THAN 18 LB-IN.

- J. Attach panel to shroud with screws (5; 30) and washers (10; 40).

35-21-51

ASSEMBLY

01.1

Page 702

Nov 01/01

2. Storage

- A. Use standard industry practices for storage of this component, the information in 20-44-02 and 20-70-01, and additional procedures in the following steps.

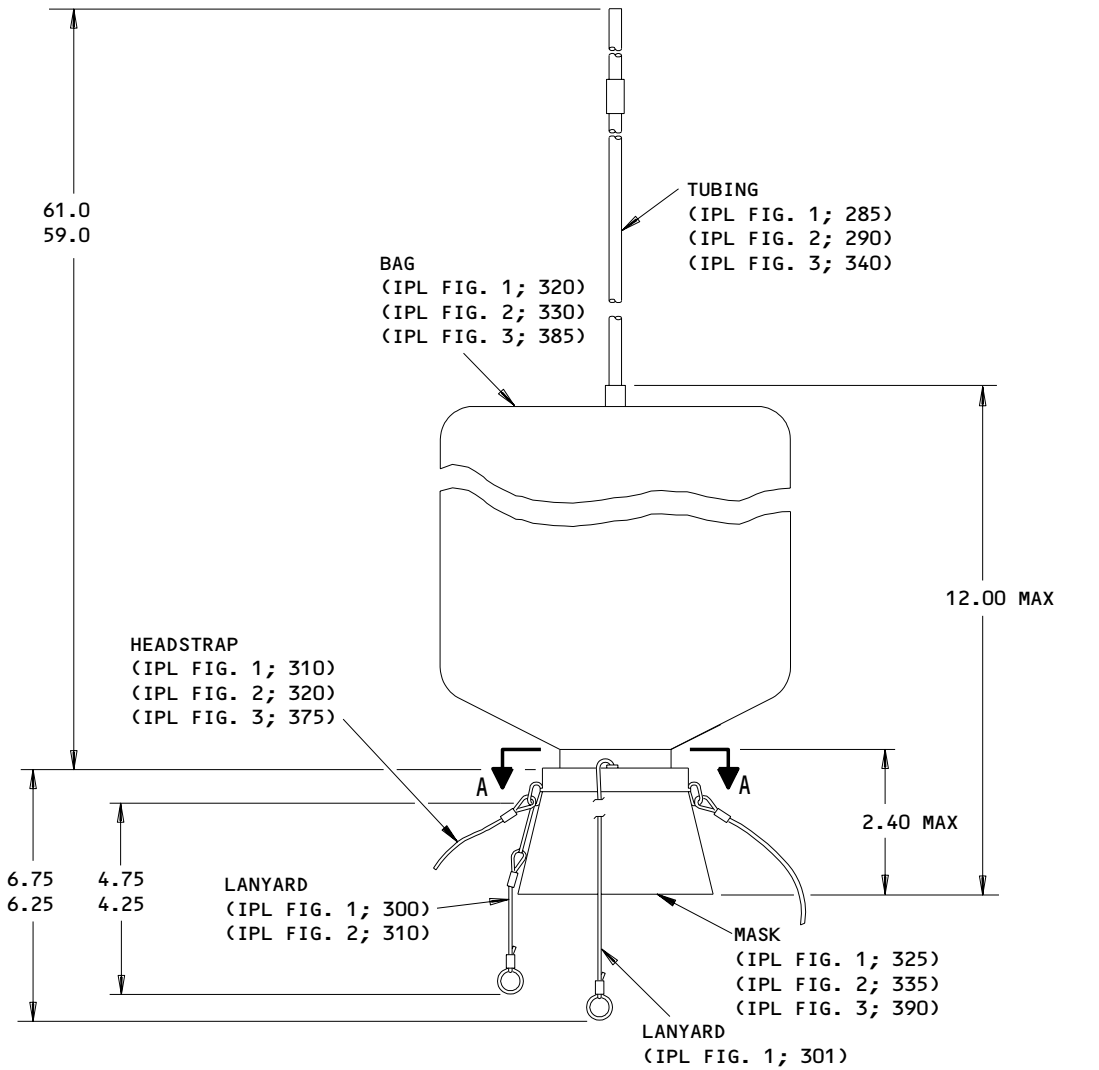
CAUTION: PLASTIC PARTS VISIBLE TO CABIN INTERIOR WHEN INSTALLED MUST BE SUITABLY PROTECTED DURING STORAGE.

- B. Wrap entire unit in vapor barrier paper and seal airtight in a temperature of 60-90°F and 90% relative humidity, maximum.
- C. Protect unit from handling damage with adequate structure or packing.

35-21-51

01.101

ASSEMBLY
Page 703
Mar 01/00



ALL DIMENSIONS ARE IN INCHES

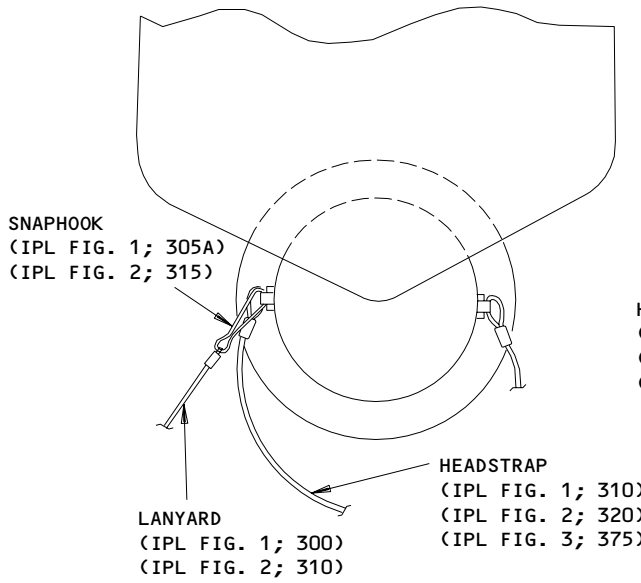
Oxygen Mask Details
 Figure 701 (Sheet 1)

45707

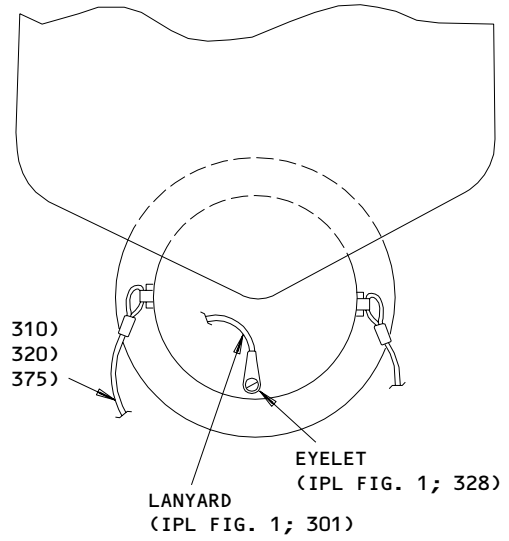
35-21-51

ASSEMBLY
 Page 704
 Mar 01/00

01.1



MASKS 417T4205-40,-84,-184



MASK 417T4205-30

A-A

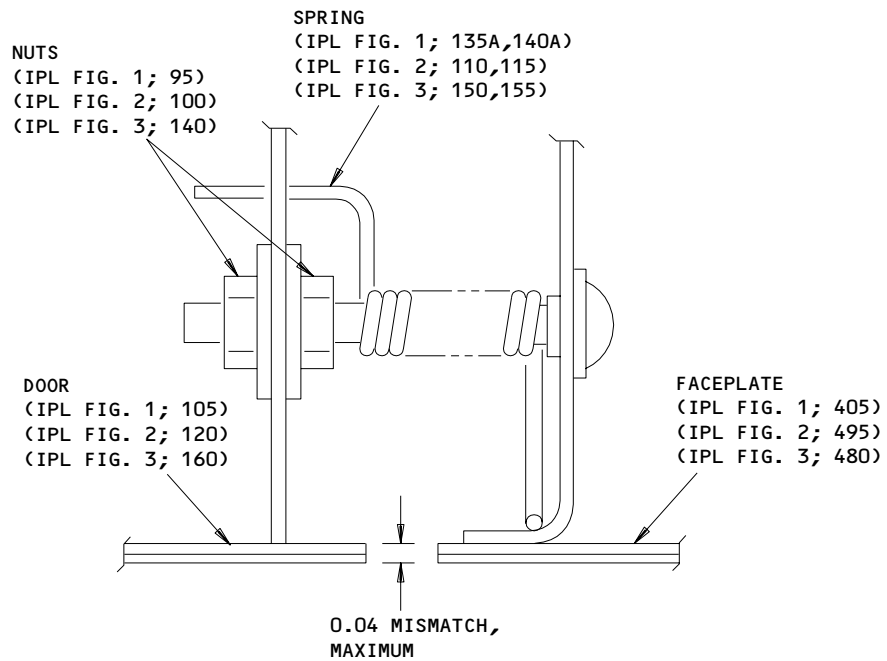
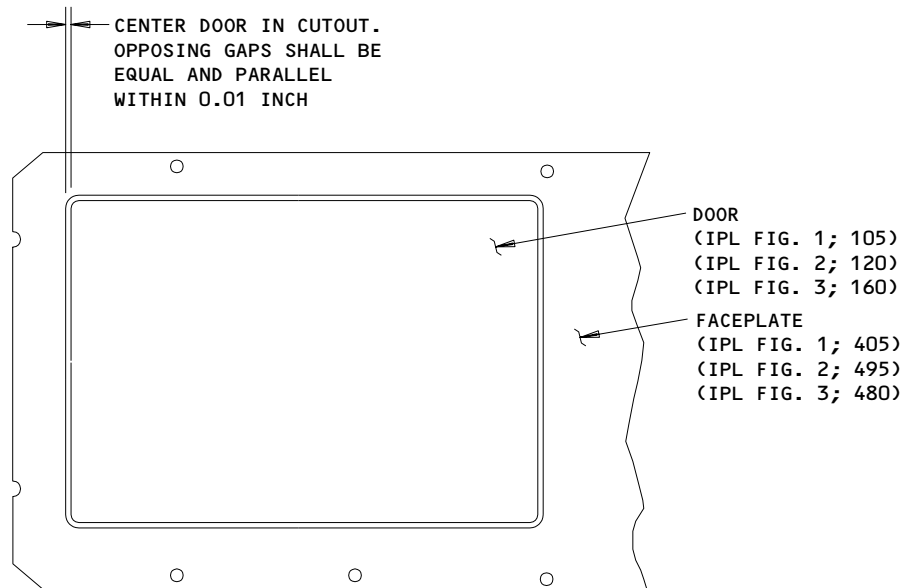
Oxygen Mask Details
Figure 701 (Sheet 2)

45709

35-21-51

ASSEMBLY
Page 705
Mar 01/00

01.1



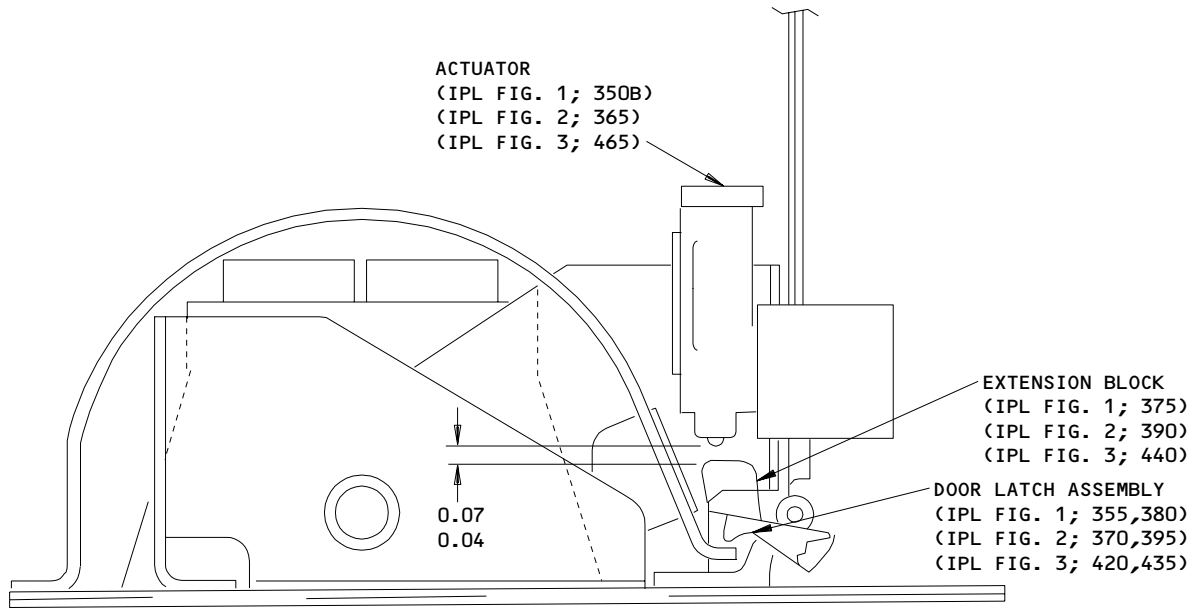
ALL DIMENSIONS ARE IN INCHES

Door Panel Alignment
 Figure 702

35-21-51

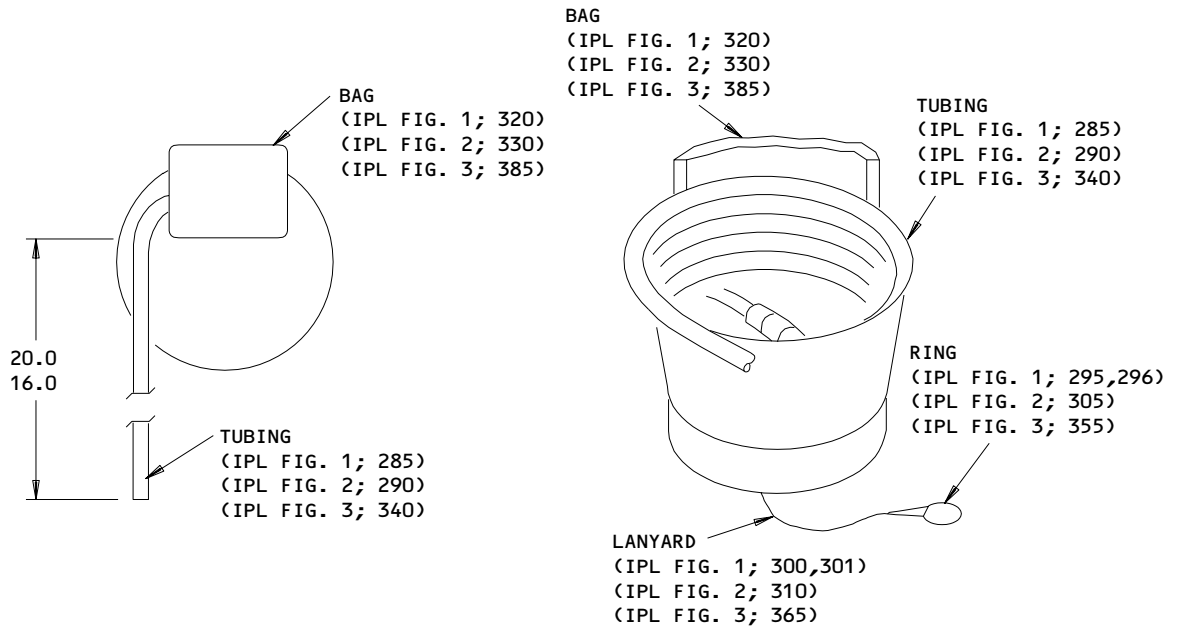
ASSEMBLY
 Page 706
 Mar 01/00

01.1



ALL DIMENSIONS ARE IN INCHES

Actuator Adjustment
 Figure 703



ALL DIMENSIONS ARE IN INCHES

Oxygen Mask Packing
 Figure 704

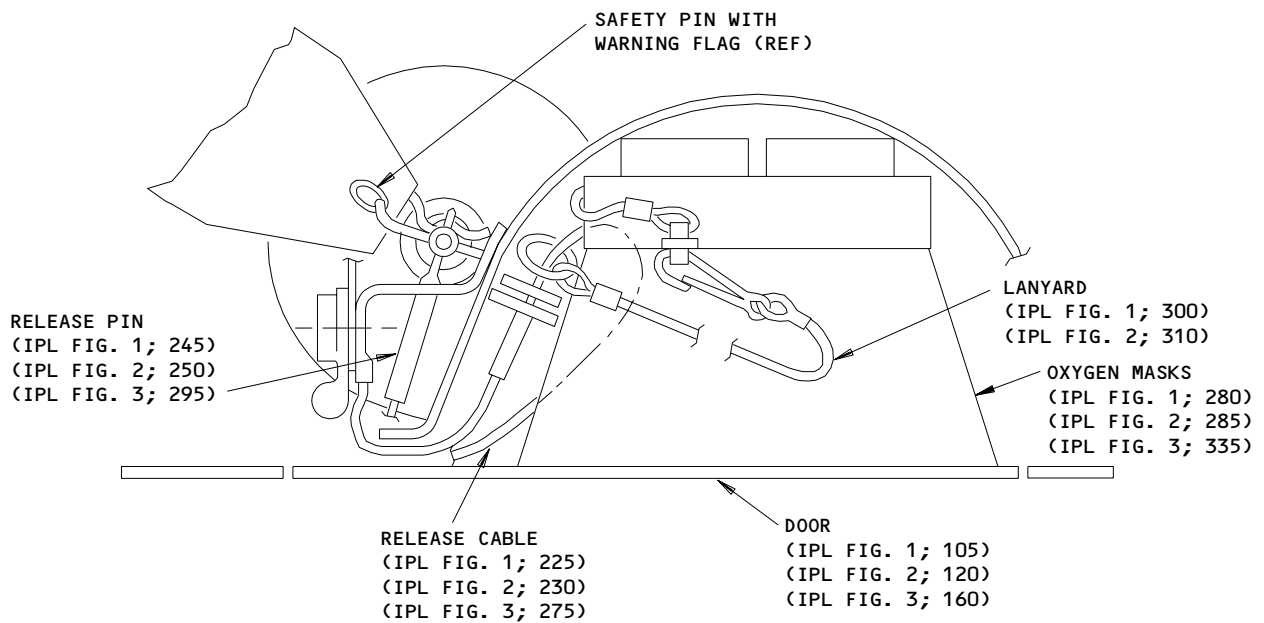
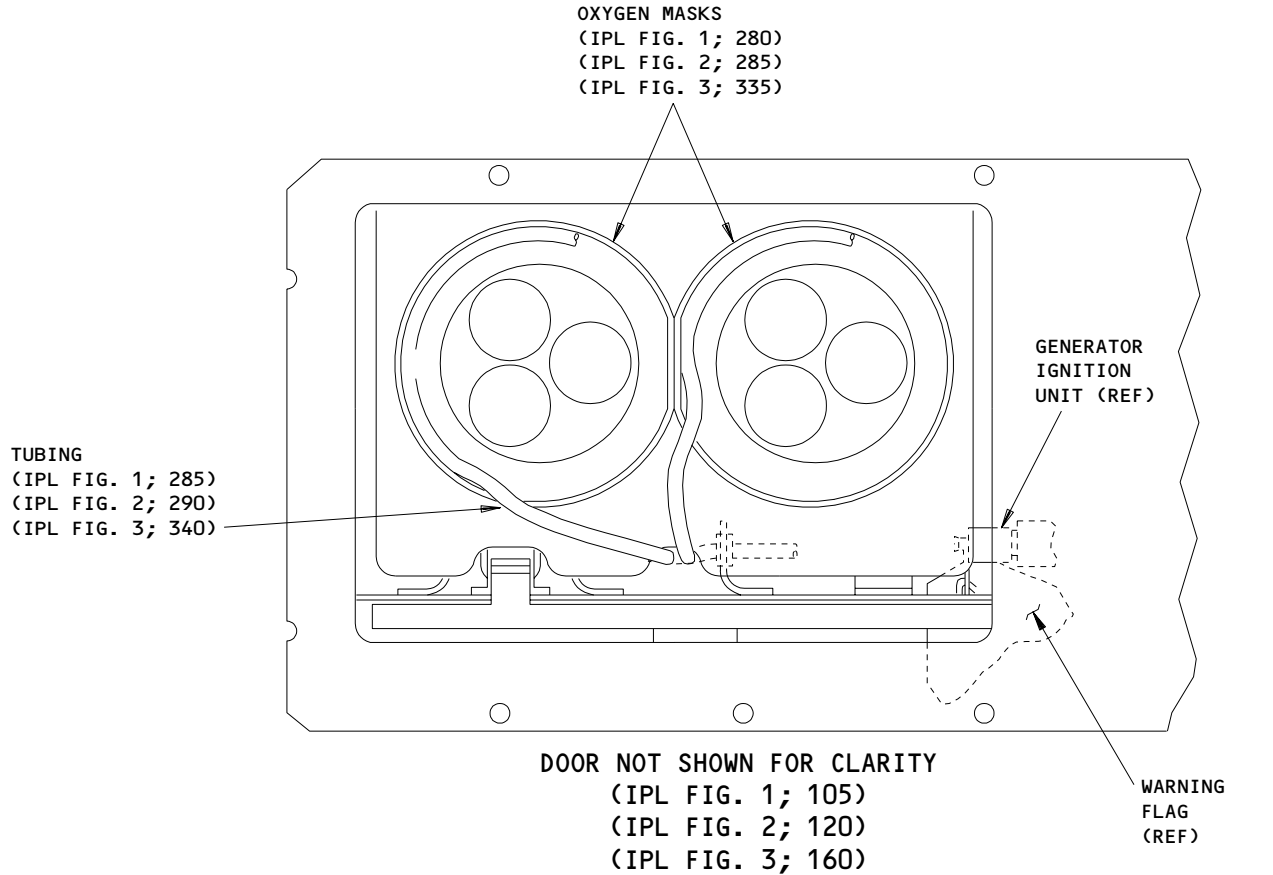
35-21-51

ASSEMBLY
 Page 707
 Mar 01/00

01.1

44945

45711



Oxygen Module Assembly
 Figure 705

35-21-51

ASSEMBLY
 Page 708
 Mar 01/00

01.1

SPECIAL TOOLS, FIXTURES AND EQUIPMENT

NOTE: Equivalent substitutes may be used.

1. A35001-8 -- Safety pin assembly (consists of A35001-12 pin, with lanyard and warning flag).

35-21-51

SPECIAL TOOLS

01.1

Page 901

Jul 10/87

ILLUSTRATED PARTS LIST

1. This section lists and illustrates replaceable or repairable component parts. The Illustrated Parts Catalog contains a complete explanation of the Boeing part numbering system.

2. Indentures show parts relationships as follows:

Assembly

Detail Parts for Assembly

Subassembly

Attaching Parts for Subassembly

Detail Parts for Subassembly

Detail Installation Parts (Included only if installation parts may be returned to shop as part of assembly)

3. One use code letter (A, B, C, etc.) is assigned in the EFF CODE column for each variation of top assembly. All listed parts are used on all top assemblies except when limitations are shown by use code letter opposite individual part entries.

4. Letter suffixes (alpha-variants) are added to item numbers for optional parts, Service Bulletin modification parts, configuration differences (except left- and right-hand parts), product improvement parts, and parts added between two sequential item numbers. The alpha-variant is not shown on illustrations when appearance and location of all variants of the part is the same.

5. Service Bulletin modifications are shown by the notations PRE SB XXXX and POST SB XXXX.

A. When a new top assembly part number is assigned by Service Bulletin, the notations appear at the top assembly level only. The configuration differences at detail part level are then shown by use code letter.

B. When the top assembly part number is not changed by the Service Bulletin, the notations appear at the detail part level.

6. Parts Interchangeability

Optional
(OPT)

The parts are optional to and interchangeable with other parts having the same item number.

Supersedes, Superseded By
(SUPSDS, SUPSD BY)

The part supersedes and is not interchangeable with the original part.

Replaces, Replaced By
(REPLS, REPLD BY)

The part replaces and is interchangeable with, or is an alternate to, the original part.

35-21-51

ILLUSTRATED PARTS LIST

01

Page 1001

Jul 10/83

VENDORS

D1379 DRAEGERWERK AG
MOISLINGER ALLEE 53/55 POSTFACH 13 39
2400 LUEBECK 1, GERMANY

ONHT3 PRECISE PRODUCTS INC
348-B EVELYN STREET PO BOX 1249
PARAMUS, NEW JERSEY 07653-1249

00287 SPIROL INTL CORP
DANIELSON, CONNECTICUT 06239-0179
FACILITY DISCONTINUED

01556 EMHART FASTENING SYSTEMS GROUP HELI-COIL DIV
SHELTER ROCK LANE
DANBURY, CONNECTICUT 06810

02660 AMPHENOL CORP INDUSTRIAL TECHNOLOGY DIV
358 HALL AVENUE PO BOX 384
WALLINGFORD, CONNECTICUT 06492

06383 PANDUIT CORPORATION
17301 RIDGELAND AVENUE
TINLEY PARK, ILLINOIS 60477-3048

09790 EATON CORP VALVE AND ACTUATOR DIV
2338 ALASKA AVENUE
EL SEGUNDO, CALIFORNIA 90245-4896

11815 CHERRY AEROSPACE FASTENERS DIV OF TEXTRON
1224 EAST WARNER AVENUE PO BOX 2157
SANTA ANA, CALIFORNIA 92707-0157

13556 LABINAL COMPONENTS AND SYS CINCH MILITARY AEROSPACE DIV
8821 SCIENCE CENTER DRIVE
MINNEAPOLIS, MINNESOTA 55428-3619

35-21-51

ILLUSTRATED PARTS LIST
01.1 Page 1002
Mar 01/00

VENDORS

15084 DUPREE INC AEROSPACE KNOB CO DIV
14395 RAMONA PO BOX 1797
CHINO, CALIFORNIA 91708-1797

15653 KAYNAR TECHNOLOGY KAYNAR DIV
800 SOUTH STATE COLLEGE BLVD PO BOX 3001
FULLERTON, CALIFORNIA 92634-3001

16827 B/E AEROSPACE PURITAN-BENNETT AERO DIV
10800 PFLUMM ROAD
LENEXA, KANSAS 66215

25281 OETEIKER INC
71-77 OKNER PARKWAY
LIVINGSTON, NEW JERSEY 07039

26014 ELECTROFORMERS INC
11 AUGUSTA DRIVE PO BOX 340
DANBURY, CONNECTICUT 06810-6241

29372 FAIRCHILD IND INC AEROSP FSTNRS DIV SOUTHBAY OPNS/TRIDAIR
3000 WEST LOMITA BLVD
TORRANCE, CALIFORNIA 90505-5103

34785 DEK INCORPORATED
3480 SWENSON AVE
ST. CHARLES, ILLINOIS 60174-3450

35344 LEACH CORP RELAY DIV SEE LEACH CORP CONTROL PROD DIV V58657

52828 REPUBLIC FASTENER MFG CORP
1300 RANCHO CONEJO BLVD
NEWBURY PARK, CALIFORNIA 91320-1405

35-21-51ILLUSTRATED PARTS LIST
01.1 Page 1003
Mar 01/00

VENDORS

53421 TYTON CORP
7930 FAULKNER ROAD PO BOX 23055
MILWAUKEE, WISCONSIN 53223-3496

53655 SCOTT AVIATION DIV FIGGIE INTERNATIONAL INC
225 ERIE STREET
LANCASTER, NEW YORK 14086-9502

56623 BABCOCK INC
14930 E ALONDRA BLVD
LA MIRADA, CALIFORNIA 90638-5752

59730 THOMAS AND BETTS CORP
1555 LYNNFIELD ROAD
MEMPHIS, TENNESSEE 38119

71087 BOOTS ACFT NUT DIV TOWNSEND CO SEE TEXTRON INC CHERRY
FASTENER TOWNSEND DIV V11815

72794 DZUS FASTENER COMPANY, INCORPORATED
425 UNION BOULEVARD
WEST ISLIP, NEW YORK 11795-3123

72962 HARVARD INDUSTRIES INC
3 WERNER WAY SUITE 210
LEBANON, NEW JERSEY 08833

75345 KIRKHILL RUBBER CO
300 EAST CYPRESS STREET
BREA, CALIFORNIA 92621-4007

76385 MINOR RUBBER CO INC
49 ACKERMAN STREET
BLOOMFIELD, NEW JERSEY 07003-4201

78290 STRUTHERS-DUNN INC
SOUTH WINDSOR, CONNECTICUT 06074
OBSOLETE - OUT OF BUSINESS

35-21-51

ILLUSTRATED PARTS LIST
01.1 Page 1004
Mar 01/00

VENDORS

80539 SPS TECHNOLOGIES INC AEROSPACE PRODUCTS DIV
2701 SOUTH HARBOR BOULEVARD PO BOX 1259
SANTA ANA, CALIFORNIA 92702-1259

81073 GRAYHILL, INCORPORATED
561 HILLGROVE AVENUE PO BOX 10373
LA GRANGE, ILLINOIS 60525-5914

82399 WATERBURY BUCKLE CO
952 SOUTH MAIN STREET
WATERBURY, CONNECTICUT 06706-3964

83014 HARTWELL CORPORATION
900 SOUTH RICHFIELD ROAD
PLACENTIA, CALIFORNIA 92670-6732

84914 LOS ANGELES STD RUBBER CO SEE KIRKHILL RUBBER CO V75345

91929 HONEYWELL INC MICRO SWITCH DIV
11 WEST SPRING STREET
FREEPORT, ILLINOIS 61032

92215 FAIRCHILD IND INC FAIRCHILD AEROSPACE FASTENER DIV
3010 W LOMITA BLVD
TORRANCE, CALIFORNIA 90505-5102

94222 SOUTHCO INCORPORATED
210 NORTH BRINTON LAKE ROAD
CONCORDVILLE, PENNSYLVANIA 19331

95272 SARGENT IND INC STILLMAN SEAL DIV
6020 AVENDIDA ENCINAS PO BOX 2000
CARLSBAD, CALIFORNIA 92008-4407

97393 SHUR-LOK CORPORATION
2541 WHITE ROAD PO BOX 19584
IRVINE, CALIFORNIA 92713

35-21-51ILLUSTRATED PARTS LIST
01.1 Page 1005
Mar 01/00

VENDORS

98927 ELECSPEC CORP ELECTRONIC SPECIALITY DIV
14511 NORTHEAST 13TH AVENUE PO BOX 3501
VANCOUVER, WASHINGTON 98668-3501

99699 DEUTSCH RELAYS INC
65 DALY ROAD
EAST NORTHPORT, L.I., NEW YORK 11731-6304

35-21-51

ILLUSTRATED PARTS LIST
01.1 Page 1006
Mar 01/00

REFERENCE DESIGNATOR INDEX (SEE SCHEMATIC DIAGRAM)		
REFERENCE DESIGNATOR	PART NUMBER	FIG-ITEM
K1	61GB19-1A320	2-475
K1	61GB19-1A320	478
K2	61GB19-1A320	475
K2	61GB19-1A320	478
P1	BACC45FT16B24P	480
S1	2100-3	460
S2	2100-3	460
S4	2100-3	463
S5	2100-3	460
S13	2100-6	465
S18	2100-6	465

35-21-51

ILLUSTRATED PARTS LIST

01.1

Page 1007

Mar 01/00

PART NUMBER	AIRLINE PART NO.	FIG.	ITEM	TTL REQ
AJ3-30		2	491	2
AML78CB001		2	467	1
AN415-4		1	180	2
		2	185	2
		3	230	2
AN960-10L		1	265	1
		2	270	1
AN960-6		1	340	2
		2	350	2
AN960-6L		1	343	2
		2	355	2
AN960-8		1	235	1
		1	365	3
		2	240	1
		2	380	3
AN960JD8		2	10	7
		2	80	4
		2	82	2
AN960PD8		1	10A	7
		1	480	4
AN960PD8L		2	482	2
A87		1	240A	1
		2	245A	1
		3	290A	1
BACC10DK4		1	13E	2
BACC10DK6		1	13	3
		2	580A	3
		3	15	3
BACC10DK8A		2	580	1
BACC10D604		1	275	1
		2	280	1
BACC10GH08		1	395	1
		2	410	1
		3	470	1

35-21-51

 ILLUSTRATED PARTS LIST
 01.1 Page 1008
 Mar 01/00


BOEING
 COMPONENT
 MAINTENANCE MANUAL

PART NUMBER	AIRLINE PART NO.	FIG.	ITEM	TTL REQ
BACC45FN10-5P		1	257J	1
BACC45FT16B24P		2	480	1
BACC45FT8-2P		1	390B	1
		2	405B	1
BACC63BN8-2P		1	390	1
		2	405	1
		3	465	1
BACG20ZA0200		1	383	1
		3	455	1
BACN10JC04		1	256J	2
BACN10JC06		1	345	2
		2	360	2
		3	410	2
BACN10JC3		1	95	4
		1	270	1
		2	100	4
		2	275	1
		3	140	4
		3	320	1
BACP20BA1		1	14A	3
		1	14E	1
		2	585	1
		2	587	4
		3	20	3
BACR12AG2C		1	35	1
		1	55	1
		2	35	1
		2	55	1
		3	75	1
		3	95	1
BACR13CF2A		2	475	2
		2	478	2
BACR15BA3AD		1	420	6
		2	520	6
		3	495	6
BACR15BB3AD		1	430	4
		2	515	4
		3	505	4
BACR15BB3AD2		1	170	4
		2	175	4
		3	220	4

35-21-51

 ILLUSTRATED PARTS LIST
 01.1 Page 1009
 Mar 01/00

PART NUMBER	AIRLINE PART NO.	FIG.	ITEM	TTL REQ
BACR15BB4AD		1	445	6
		2	540	6
		3	520	6
BACR15BCE4AD		2	125A	8
		2	127	4
		3	165	4
BACR15CE4AD		1	110A	8
		1	112	4
		1	131J	8
		2	147	8
BACR15CE4D		1	410	2
		1	417	2
BACR15CE4D		1	460	9
		2	500	6
		2	555	9
		3	485	2
		3	535	9
		3	535	9
BACS12FA3K24		1	85A	2
		2	90A	2
BACS12FA3K26		1	85B	2
		2	90B	2
		3	130	2
BACS16X1		2	470	2
		2	473	2
		1	30	1
BACS21AP80R		1	50	1
		2	30	1
		2	50	1
		3	70	1
		3	90	1
		3	90	1
BACS21AP80RP		2	30A	1
		2	50A	1
		3	70A	1
		3	90A	1
BACS38K1		1	400F	1
		2	415D	1
		3	475	1
BACS38K3		1	257B	1
		1	400C	1
		2	415B	1
BACW10P63AL		1	256M	2
		2	95A	2
		2	97A	2
		3	135	2

35-21-51

 ILLUSTRATED PARTS LIST
 01.1 Page 1010
 Mar 01/00


BOEING
 COMPONENT
 MAINTENANCE MANUAL

PART NUMBER	AIRLINE PART NO.	FIG.	ITEM	TTL REQ
BAC27TPPS4955		1	477	1
		3	555	1
BAC27TPPS4957		1	477A	1
		1	479Q	1
BAC27TPPS5969		1	477D	1
BAC27TPPS5972		2	571	1
BAC27TPPS5974		2	430A	1
BAC27TPPS5975		2	435A	1
BAC27TPPS5976		2	440B	1
BAC27TPPS5977		2	420A	1
BAC27TPPS5978		2	445A	1
BAC27TPPS5979		2	425A	1
BAC27TPPS6326		1	477F	1
BAC27TPPS6327		1	479P	1
BAC27TPPS6328		2	572	1
BAC27TPPS6346		2	572A	1
BAC27TPPS6353		1	479J	1
BAC27TPPS6354		1	479M	1
BAC27TPPS6355		1	478	1
BAC27TPPS6356		2	571K	1
BAC27TPPS6357		1	479	1
BAC27TPPS6360		1	479N	1
BAC27TPPS6394		2	144	1
		3	185	1
BAC27TPPS6547		3	555A	1
BRH10A04		1	256J	2
BRH10A06		1	345	2
		2	360	2
		3	410	2
BRH10A3		1	95	4
		1	270	1
		2	100	4
		2	275	1
		3	140	4
		3	320	1

35-21-51

 ILLUSTRATED PARTS LIST
 01.1 Page 1011
 Mar 01/00

PART NUMBER	AIRLINE PART NO.	FIG.	ITEM	TTL REQ
BRH10A62		1	345	2
BR246S0112		2	475	2
		2	478	2
BR64S104		2	475	2
		2	478	2
CZ0781125		1	160B	4
		2	165B	4
		3	210B	4
C0909A08-02PN		1	390	1
		2	405	1
		3	465	1
DK188F		1	259C	1
E215-1050		2	475	2
		2	478	2
E71720-00		1	220B	1
		2	225B	1
		3	270A	1
FCA210-70		2	475	2
		2	478	2
H10-04BAC		1	256J	2
H10-06BAC		1	345	2
		2	360	2
		3	410	2
H10-3BAC		1	95	4
		1	270	1
		2	100	4
		2	275	1
		3	140	4
		3	320	1
H1002S1-5WI		1	65	1
		2	65	1
JD4A017		2	475	2
		2	478	2
KN0832JMXSZ		1	20D	6
		1	23C	5
		2	20C	11
		3	55C	11

35-21-51

 ILLUSTRATED PARTS LIST
 01.1 Page 1012
 Mar 01/00


BOEING
 COMPONENT
 MAINTENANCE MANUAL

PART NUMBER	AIRLINE PART NO.	FIG.	ITEM	TTL REQ
MS20659-102		1	240	1
		2	245	1
		3	290	1
MS21042L08		2	575	1
		1	195	2
MS21207C4-4		2	200	2
		3	245	2
		1	275B	1
MS21919DG6		2	280B	1
		3	330	1
		1	275A	1
MS21919DG8		2	280A	1
		1	90	2
MS25440-3		1	92	2
		2	95	2
		2	97	2
		3	138	2
		1	11	3
MS35333-38		1	11E	1
		2	573	4
		2	574	1
		3	10	3
		1	385	2
MS35489-4X		2	400	2
		3	460	2
MS35489-4X MS35649-282		1	12	3
		1	12E	1
		2	575A	1
		2	576	4
		3	5	3
MS39086-26		1	160A	4
		2	165A	4
		3	210A	4
MS51830A104		1	20E	6
		1	23D	5
		2	20D	11
		3	55D	11

35-21-51

 ILLUSTRATED PARTS LIST
 01.1 Page 1013
 Mar 01/00

PART NUMBER	AIRLINE PART NO.	FIG.	ITEM	TTL REQ
MS51861-35		2	481	2
MS51861-4C		1	370	1
		2	385	1
		3	435	1
NAS1149DN632J		1	340B	2
		2	350B	2
NAS1149DN816J		2	482A	2
NAS1149DN832J		1	10B	7
		1	10L	2
		1	77	2
		1	235B	1
		1	365B	3
		1	480A	4
		2	10A	7
		2	12	9
		2	82A	2
		2	240B	1
		2	380B	3
		3	40	11
NAS1149D0332J		1	265B	1
		2	270B	1
NAS1149FN632J		3	405	2
NAS1149FN632P		1	340A	2
		2	350A	2
		3	405A	2
NAS1149FN832J		3	285A	1
		3	430A	3
NAS1149FN832P		1	235A	1
		1	365A	3
		2	240A	1
		2	380A	3
NAS1149FN832P		3	285	1
		3	430	3
NAS1149F0332J		3	315A	1
NAS1149F0332P		1	265A	1
		2	270A	1
		3	315	1
NAS1394-08		1	20A	6
		1	23	5
		2	20	11
		3	55	11
NAS1394-08L		1	495	4

35-21-51

 ILLUSTRATED PARTS LIST
 01.1 Page 1014
 Mar 01/00


BOEING
 COMPONENT
 MAINTENANCE MANUAL

PART NUMBER	AIRLINE PART NO.	FIG.	ITEM	TTL REQ
NAS1801-04-4		1	256	2
NAS1801-08-4		1	5	7
		1	7	2
		2	5	7
		2	7	2
		3	30	9
NAS1801-08-5		1	75T	2
		2	75	4
		2	78	2
		3	35	2
NAS1801-08-6		1	230	1
		1	360	3
		2	235	1
		2	375	3
		3	280	1
		3	425	3
NAS42DD6-40FC		1	256S	2
		2	277A	2
		3	325	2
NAS42DD6-45FC		2	277	2
NAS428-3-13		1	85	2
		2	90	2
NAS514P1032-6		1	155	4
		2	160	4
		3	195	4
NAS601-6		1	330	2
		2	340	2
		3	395	2
NAS603-6		1	260	1
		2	265	1
		3	310	1
NAS620-6		1	335	2
		2	345	2
NAS620-6		3	400	2
NS202101-02		1	95	4
		1	270	1
		2	100	4
		2	275	1
		3	140	4
		3	320	1
NS202101-40		1	256J	2
NS202101-62		2	360	2
		3	410	2
N03		2	493	2
N0318		1	295B	2
		2	305A	2

35-21-51

 ILLUSTRATED PARTS LIST
 01.1 Page 1015
 Mar 01/00

PART NUMBER	AIRLINE PART NO.	FIG.	ITEM	TTL REQ
N2088		1	14A	3
		1	14E	1
		2	585	1
		2	587	4
		3	20	3
PLT2SM		1	400F	1
		2	415D	1
		3	475	1
PLT4HTL		1	257B	1
		1	400C	1
		2	415B	1
RD409-101		1	401	1
	RMLH9075-3W	1	95	4
1		270	1	
2		100	4	
2		275	1	
3		140	4	
3		320	1	
RMLH9075-40W		1	256J	2
RMLH9075-62W		1	345	2
		2	360	2
		3	410	2
SL6156-08	1	16	3	
	1	16E	1	
	2	590	1	
	2	595	4	
	3	25	3	
STBS38G3	1	257C	1	
	1	400A	1	
	2	415	1	
SZ7105	1	14A	3	
	1	14E	1	

35-21-51

 ILLUSTRATED PARTS LIST
 01.1 Page 1016
 Mar 01/00


BOEING
 COMPONENT
 MAINTENANCE MANUAL

PART NUMBER	AIRLINE PART NO.	FIG.	ITEM	TTL REQ
SZ7105		2	585	1
		2	587	4
		3	20	3
S417T401-22		2	225A	1
S417T401-25		1	220A	1
		2	225	1
		3	270	1
		1	220B	1
S417T401-43		2	225B	1
S417T401-45		3	270A	1
S417T402-3		1	350B	1
		2	365	1
		3	415	1
S418W001-108		1	280H	2
		2	285D	2
		3	335A	2
S418W001-111		2	285E	2
TNC2C0164		1	20B	6
		1	23A	5
		2	20A	11
		3	55A	11
TY25M		1	257C	1
		1	400A	1
		2	415	1
TY525M		1	257A	1
		1	400B	1
		2	415A	1
T012R0		1	257B	1
		1	400C	1
		2	415B	1
T05R0		1	400F	1
		2	415D	1
		3	475	1

35-21-51

 ILLUSTRATED PARTS LIST
 01.1 Page 1017
 Mar 01/00

PART NUMBER	AIRLINE PART NO.	FIG.	ITEM	TTL REQ
T6S1032J		1	95	4
		1	270	1
		2	100	4
		2	275	1
		3	140	4
		3	320	1
T6S440J		1	256J	2
T6S632J		1	345	2
		2	360	2
		3	410	2
VN303A02		1	95	4
		1	270	1
		2	100	4
		2	275	1
		3	140	4
		3	320	1
VN303A40		1	256J	2
VN303A62		1	345	2
		2	360	2
		3	410	2
Z2318		1	385A	2
		2	400A	2
022-0188		1	259K	1
117003-12		1	220A	1
		2	225	1
		3	270	1
117003-22		2	225A	1
1185-2CN0164		1	20C	6
		1	23B	5
		2	20B	11
		3	55B	11
2100-100		1	258	1
		2	450	3
		2	453	1
2100-103		2	455	2
2100-3		1	258J	1
		2	460	3
		2	463	1
		2	465	2
2100-6		2	465	2

35-21-51

 ILLUSTRATED PARTS LIST
 01.1 Page 1018
 Mar 01/00


BOEING
 COMPONENT
 MAINTENANCE MANUAL

PART NUMBER	AIRLINE PART NO.	FIG.	ITEM	TTL REQ
289-801-053		1	280H	2
		2	285D	2
		3	335A	2
289-801-055		2	285E	2
		1	175	2
		2	180	2
30L20-2AA		3	225	2
		1	134	1
		2	147V	1
3065		3	190	1
		2	315	2
		1	301	2
318		2	483S	1
		1	483A	1
		2	483J	1
412T4205-24		2	483J	1
		1	280D	2
		2	285A	2
417N3138-16		3	335	2
		1	285A	2
		2	290A	2
417N3138-18		3	340	2
		1	280E	2
		2	285	2
417N3138-19		2	310A	2
		3	365	2
		1	295	2
417T4205-101		1	296	2
		1	280A	2
		1	285	2
417T4205-101		2	290	2
		1	315	4
		2	325	4
417T4205-12		3	380	4
		1	328	2
		3	360	2
417T4205-130		1	280	2
		1	300	2
		1	300	2
417T4205-24		1	292	4
		1	293	2
		2	300	4
417T4205-26		2	302	2
		3	350	2
		2	300	4
417T4205-26		2	302	2
		3	350	2
		2	300	4
417T4205-30		2	302	2
		3	350	2
		2	300	4
417T4205-30		2	302	2
		3	350	2
		2	300	4
417T4205-31		2	302	2
		3	350	2
		2	300	4
417T4205-31		2	302	2
		3	350	2
		2	300	4
417T4205-32		2	302	2
		3	350	2
		2	300	4
417T4205-32		2	302	2
		3	350	2
		2	300	4
417T4205-34		2	302	2
		3	350	2
		2	300	4
417T4205-34		2	302	2
		3	350	2
		2	300	4
417T4205-40		2	302	2
		3	350	2
		2	300	4
417T4205-47		2	302	2
		3	350	2
		2	300	4
417T4205-50		2	302	2
		3	350	2
		2	300	4

35-21-51

 ILLUSTRATED PARTS LIST
 01.1 Page 1019
 Mar 01/00

PART NUMBER	AIRLINE PART NO.	FIG.	ITEM	TTL REQ
417T4205-6		1	310	2
		2	320	2
		3	375	2
417T4205-7		1	290	4
		2	295	4
		3	345	4
417T4205-8		1	325	2
		2	335	2
		3	390	2
417T4205-84		1	280B	2
417T4205-85		1	300A	2
		2	310	2
417T4205-9		1	320	2
		2	330	2
		3	385	2
417T4205-96		1	295A	2
417T4205-96		2	305	2
		3	355	2
417T4206-10		1	1G	RF
417T4206-204		1	2A	RF
417T4206-205		1	2B	RF
417T4206-206		1	2C	RF
417T4206-207		1	2D	RF
417T4206-208		1	2E	RF
417T4206-209		1	2F	RF
417T4206-210		1	2G	RF
417T4206-211SP		1	1T	RF
417T4206-212		1	1P	RF
417T4206-213		1	1N	RF
		2	1	RF
417T4206-214		1	1Q	RF
		2	1A	RF
417T4206-215		1	1R	RF
		2	1B	RF

35-21-51

 ILLUSTRATED PARTS LIST
 01.1 Page 1020
 Mar 01/00


BOEING
 COMPONENT
 MAINTENANCE MANUAL

PART NUMBER	AIRLINE PART NO.	FIG.	ITEM	TTL REQ
417T4206-216		1	1S	RF
417T4206-223		1	2	RF
417T4206-224		1	2K	RF
		2	1D	RF
417T4206-225		1	2L	RF
		2	1E	RF
417T4206-227		1	2M	RF
		2	1G	RF
417T4206-241		1	2H	RF
		2	1C	RF
417T4206-325		1	2U	RF
		2	1F	RF
417T4206-327		1	2V	RF
417T4206-4		1	1A	RF
417T4206-401		1	3B	RF
		2	1K	RF
417T4206-402		1	3C	RF
		2	1N	RF
417T4206-406		1	3P	RF
		3	1A	RF
417T4206-409		1	3G	RF
		2	1P	RF
417T4206-411		1	3H	RF
		2	1L	RF
417T4206-412		1	3J	RF
		2	1M	RF
417T4206-414		1	3L	RF
		2	1H	RF
417T4206-421		1	3A	RF
		2	1J	RF
417T4206-435		1	4C	RF
		2	1V	RF
417T4206-436		1	3S	RF
		2	1Q	RF
417T4206-442		1	3W	RF
		2	1R	RF

35-21-51

 ILLUSTRATED PARTS LIST
 01.1 Page 1021
 Mar 01/00

PART NUMBER	AIRLINE PART NO.	FIG.	ITEM	TTL REQ
417T4206-444		1	3Y	RF
417T4206-450		1	4	RF
		2	1S	RF
417T4206-451		1	4A	RF
		2	1T	RF
417T4206-453		1	4B	RF
		2	1U	RF
417T4206-454		1	4D	RF
		2	1W	RF
417T4206-455		1	4E	RF
		3	1B	RF
417T4206-458		1	4F	RF
417T4206-5		1	1B	RF
417T4206-6		1	1C	RF
417T4206-601		1	4G	RF
		3	1C	RF
417T4206-603		1	4H	RF
		2	1X	RF
417T4206-604		1	4J	RF
417T4206-7		1	1D	RF
417T4206-8		1	1E	RF
417T4206-9		1	1F	RF
417T4250-1		2	150A	1
		2	155B	1
417T4250-23		2	150B	1
		2	155A	1
417T4250-3		1	145	1
		2	150	1
		3	200	1
417T4250-4		1	150	1
		2	155	1
		3	205	1

35-21-51

 ILLUSTRATED PARTS LIST
 01.1 Page 1022
 Mar 01/00


BOEING
 COMPONENT
 MAINTENANCE MANUAL

PART NUMBER	AIRLINE PART NO.	FIG.	ITEM	TTL REQ
417T4250-6		1	185	2
		2	190	2
		3	235	2
417T4250-7		1	165	2
		2	170	2
		3	215	2
417T4255-1		1	190	2
		2	195	1
		2	197	1
417T4255-2		3	240	2
		1	215	2
		2	220	1
417T4255-3		2	222	1
		3	265	4
		1	205	2
417T4255-4		2	210	2
		3	255	2
		1	200	2
417T4255-7		2	205	2
		3	250	2
		2	197A	1
417T4255-8		2	222A	1
417T4262-1		1	225	1
417T4262-2		2	230	1
		1	255	1
		2	260	1
417T4262-3		3	305	1
		1	225A	1
		2	230A	1
417T4265-1		3	275	1
		1	105	1
		1	127B	1
417T4265-13		1	130J	1
417T4265-19		1	130J	1
417T4265-20		2	145D	1
		1	131A	1
		2	145K	1
417T4265-21		1	130N	1
		2	145E	1
		1	105D	1
417T4265-23		2	120A	1
		3	160	1
		1	105F	1
417T4265-25		2	120C	1
		3	160A	1
		1	105F	1

35-21-51

 ILLUSTRATED PARTS LIST
 01.1 Page 1023
 Mar 01/00

PART NUMBER	AIRLINE PART NO.	FIG.	ITEM	TTL REQ
417T4265-3		1	127	1
		1	132	1
		2	142	1
		2	147R	1
417T4265-5		1	105A	1
		1	131	1
		2	120	1
		2	145J	1
417T4266-10		1	405J	1
417T4266-11		2	495A	1
417T4266-12		2	498A	1
417T4266-13		1	405F	1
417T4266-14		1	405G	1
417T4266-15		1	405H	1
417T4266-3		1	405A	1
417T4266-30		2	498B	1
417T4266-4		1	405B	1
417T4266-40		2	495C	1
417T4266-41		1	405P	1
417T4266-42		1	405Q	1
417T4266-43		1	405V	1
417T4266-44		1	405R	1
		3	480	1
		1	405W	1
417T4266-45		1	405W	1
417T4266-5		2	495	1
417T4266-6		2	498	1
417T4266-7		1	405C	1
417T4266-8		1	405D	1
417T4266-9		1	405E	1
417T4267-1		1	355	1
		2	370	1
		3	420	1
		1	380	1
417T4267-2		2	395	1
		3	445	1
		1	80D	1
417T4268-10		1	80D	1
417T4268-102		2	85H	1
417T4268-103		2	85J	1
417T4268-12		1	80E	1
417T4268-120		2	85K	1
417T4268-121		1	81B	1
417T4268-122		1	81C	1
417T4268-123		1	81D	1
417T4268-124		2	85N	1
417T4268-125		1	81L	1

35-21-51

 ILLUSTRATED PARTS LIST
 01.1 Page 1024
 Mar 01/00


BOEING
 COMPONENT
 MAINTENANCE MANUAL

PART NUMBER	AIRLINE PART NO.	FIG.	ITEM	TTL REQ
417T4268-126		1	81M	1
417T4268-127		3	125	1
417T4268-128		2	85P	1
417T4268-13		1	403B	1
417T4268-130		2	85L	1
417T4268-131		1	81G	1
417T4268-132		1	81F	1
417T4268-133		1	81H	1
417T4268-134		1	81J	1
417T4268-14		1	80F	1
417T4268-140		2	85R	1
417T4268-143		2	85T	1
417T4268-144		2	85U	1
417T4268-145		1	81N	1
417T4268-147		1	81P	1
417T4268-15		1	80G	1
417T4268-150		2	85Q	1
417T4268-151		1	81R	1
417T4268-152		1	81Q	1
417T4268-153		1	81U	1
417T4268-154		1	81T	1
417T4268-16		1	80H	1
417T4268-162		2	85S	1
417T4268-163		1	81S	1
417T4268-165		3	125A	1
417T4268-166		2	85V	1
417T4268-17		1	80J	1
417T4268-18		2	85	1
417T4268-201		3	125B	1
417T4268-203		2	85W	1
417T4268-204		1	81V	1
417T4268-28		1	403C	1
417T4268-37		1	80K	1
417T4268-49		1	80R	1
417T4268-50		1	80S	1

35-21-51

 ILLUSTRATED PARTS LIST
 01.1 Page 1025
 Mar 01/00

PART NUMBER	AIRLINE PART NO.	FIG.	ITEM	TTL REQ
417T4268-52		1	80T	1
417T4268-54		1	80U	1
417T4268-55		1	80V	1
417T4268-56		1	80L	1
417T4268-57		1	80M	1
417T4268-58		2	85A	1
417T4268-59		2	85B	1
417T4268-60		1	80N	1
417T4268-61		1	403D	1
417T4268-62		1	80P	1
417T4268-63		1	80Q	1
417T4268-64		1	403E	1
		1	477B	1
417T4268-65		1	403F	1
		1	477C	1
417T4268-67		2	85D	1
417T4268-69		1	80W	1
		1	81K	1
417T4268-70		1	80X	1
417T4268-78		2	85C	1
417T4268-79		1	81	1
417T4268-8		1	403A	1
417T4268-80		1	81A	1
417T4268-88		2	85F	1
417T4268-9		1	80C	1
417T4268-97		2	85G	1
417T4307-1		1	245	1
		2	250	1
417T4307-2		1	245A	1
		2	250A	1
		3	295	1

35-21-51

 ILLUSTRATED PARTS LIST
 01.1 Page 1026
 Mar 01/00


BOEING
 COMPONENT
 MAINTENANCE MANUAL

PART NUMBER	AIRLINE PART NO.	FIG.	ITEM	TTL REQ
417T4308-1		1	250	1
		2	255	1
		3	300	1
417T4309-1		1	125	1
		1	131R	1
		2	140	1
		2	147P	1
		3	175	1
417T4310-1		1	115	1
		1	131M	1
		2	130	1
		2	147J	1
		2	120	1
417T4310-2		1	131P	1
		1	120	1
417T4310-2		2	135	1
		2	147M	1
417T4310-3		1	128	1
		1	133	1
		2	143	1
		2	147T	1
		3	180	1
417T4310-5		1	120A	1
		2	137	1
		3	170	1
		3	115	2
417T4311-15		3	120	2
417T4311-16		3	555C	1
417T4311-17		3	475A	1
417T4311-2		1	550	1
		3	570	1
417T4311-3		2	490	1
417T4311-4		2	485	1
417T4311-5		2	475B	1
417T4311-6		1	475D	1
417T4311-7		1	475E	1
417T4311-8		1	470	1
417T4312-1		1	565	1
		2	545	1
		3		

35-21-51

 ILLUSTRATED PARTS LIST
 01.1 Page 1027
 Mar 01/00

PART NUMBER	AIRLINE PART NO.	FIG.	ITEM	TTL REQ
417T4312-10		1	455A	1
		2	550	1
		3	530	1
417T4312-11		1	465A	1
417T4312-12		1	485	1
		2	83	1
		3	45	1
417T4312-13		1	465B	1
		2	560	1
		3	540	1
417T4312-14		2	510	1
417T4312-18		1	435B	1
		2	535A	1
		3	510	1
417T4312-3		1	455	1
417T4312-4		1	415	1
		2	505	1
		3	490	1
417T4312-5		1	440	1
		2	530	1
		3	515	1
417T4312-5		1	425	1
417T4312-6		2	525	1
		3	500	1
		1	450	1
417T4312-7		2	545	1
		3	525	1
		1	435	1
417T4312-8		2	535	1
		1	565A	1
		2	490	4
417T4312-9		1	500	4
417T4313-1		1	375	1
417T4313-2		2	390	1
		3	440	1
		1	135A	1
417T4314-1		2	110	1
		1	140A	1
417T4315-3		2	115	1
		1	140B	1
		2	115A	1
417T4315-4		2	115A	1
		3	155	1
417T4315-5		1	155	1

35-21-51

 ILLUSTRATED PARTS LIST
 01.1 Page 1028
 Mar 01/00


BOEING
 COMPONENT
 MAINTENANCE MANUAL

PART NUMBER	AIRLINE PART NO.	FIG.	ITEM	TTL REQ
417T4315-6		1	135B	1
		2	110A	1
		3	150	1
417T6005-2		1	25	1
		1	45A	1
		2	45	1
417T6005-4		3	85	1
		1	25A	1
		1	45	1
417T6007-10		2	25	1
		3	65	1
		1	17A	1
417T6007-10		2	15	1
		3	50	1
		1	75A	1
417T6007-11		2	70	1
		3	110	1
		2	15A	1
417T6007-15		1	75B	1
		2	70B	1
		1	75	1
417T6007-20		1	17C	1
		2	15C	1
		1	17D	1
417T6007-21		2	15B	1
		1	75C	1
		2	70A	1
417T6007-23		1	17E	1
		2	15D	1
		1	75D	1
417T6007-27		2	70C	1
		2	15E	1
		2	70D	1
417T6007-28		1	17F	1
		2	15F	1
		3	50A	1
417T6007-29				
417T6007-30				

35-21-51

 ILLUSTRATED PARTS LIST
 01.1 Page 1029
 Mar 01/00

PART NUMBER	AIRLINE PART NO.	FIG.	ITEM	TTL REQ
417T6007-31		1	75E	1
		2	70E	1
		3	110A	1
417T6007-33		2	70F	1
417T6007-35		2	15G	1
417T6007-39		1	17G	1
417T6007-4		1	65	1
		2	65	1
		3	105	1
417T6007-41		1	75F	1
417T6007-6		1	70	1
417T6007-7		1	17	1
417T6007-8		1	70A	1
417T6012-11		2	420	1
417T6012-13		2	425	1
417T6012-27		2	430	1
417T6012-29		2	445	1
417T6012-3		2	440A	1
417T6012-37		1	505	1
417T6012-39		1	505A	1
417T6012-7		2	435	1
417T6012-9		2	440	1
417T6014-14		2	23	1
		3	60	1
		1	40	1
417T6014-3		1	60A	1
		2	60	1
		3	100	1
417T6014-6		1	40A	1
		1	60	1
		2	40	1
417U3104-27		3	80	1
		1	418	1

35-21-51

 ILLUSTRATED PARTS LIST
 01.1 Page 1030
 Mar 01/00


BOEING
 COMPONENT
 MAINTENANCE MANUAL

PART NUMBER	AIRLINE PART NO.	FIG.	ITEM	TTL REQ
44YY23734		1	258K	1
48-63N8-2P		1	390	1
		2	405	1
		3	465	1
4841		1	14A	3
		1	14E	1
		2	585	1
		2	587	4
		3	20	3
5-64X11-8MDP		1	160	4
		2	165	4
		3	210	4
6041-3BR0375		1	210	4
		2	215	4
		3	260	4
61GB19-1A320		2	475	2
		2	478	2
69B51616-1		1	100	2
		2	105	2
		3	145	2
70-505R		2	484A	1
78175-3		1	350B	1
78175-4		1	350C	1
		2	365	1
		3	415	1
82-99-341-08		2	30A	1
		2	50A	1
		3	70A	1
		3	90A	1
837150		2	484	1
96-02		1	95	4
		1	270	1
		2	100	4
		2	275	1
		3	140	4
		3	320	1

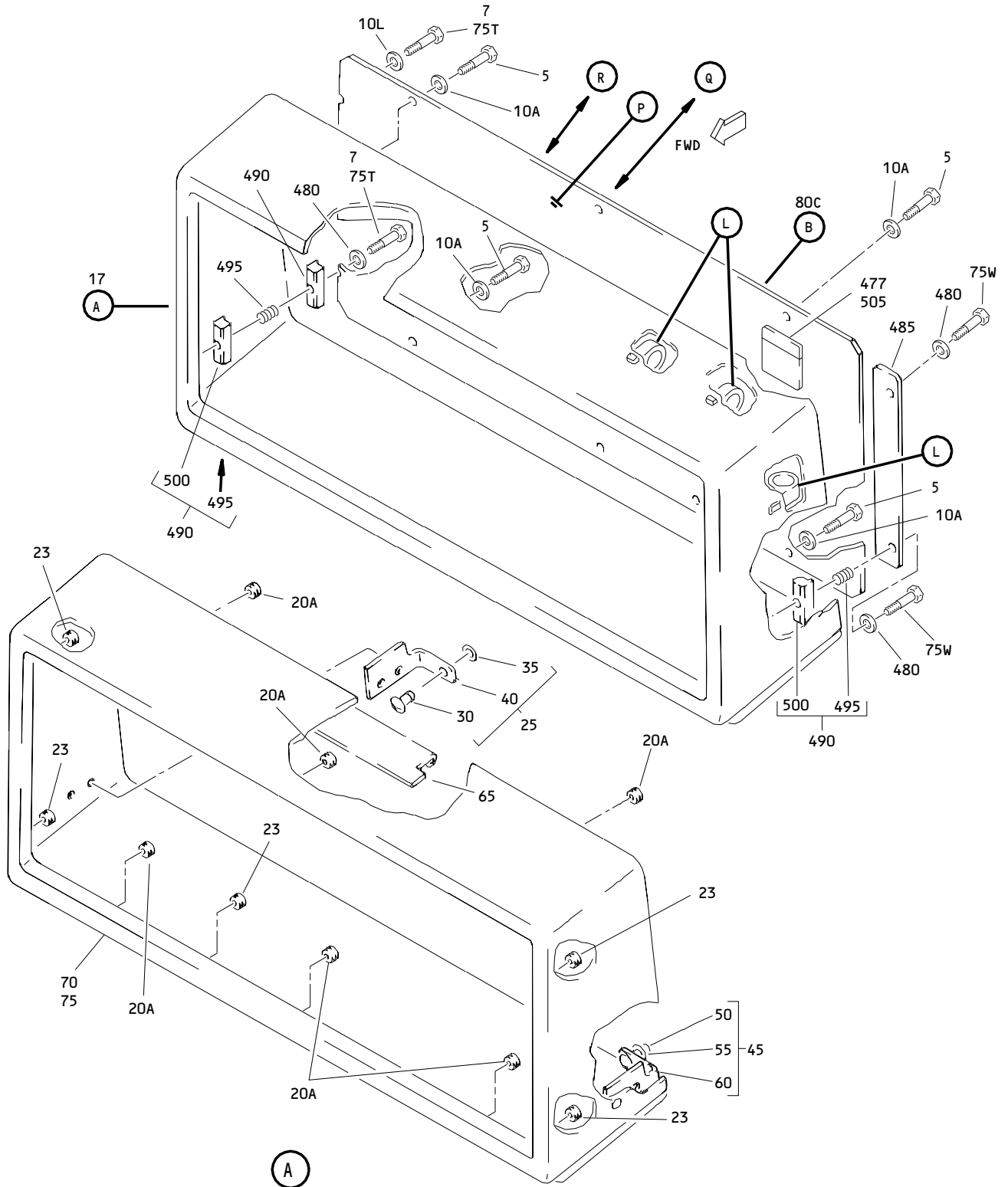
35-21-51

 ILLUSTRATED PARTS LIST
 01.1 Page 1031
 Mar 01/00

PART NUMBER	AIRLINE PART NO.	FIG.	ITEM	TTL REQ
96-40		1	256J	2
96-62		1	345	2
		2	360	2
		3	410	2

35-21-51

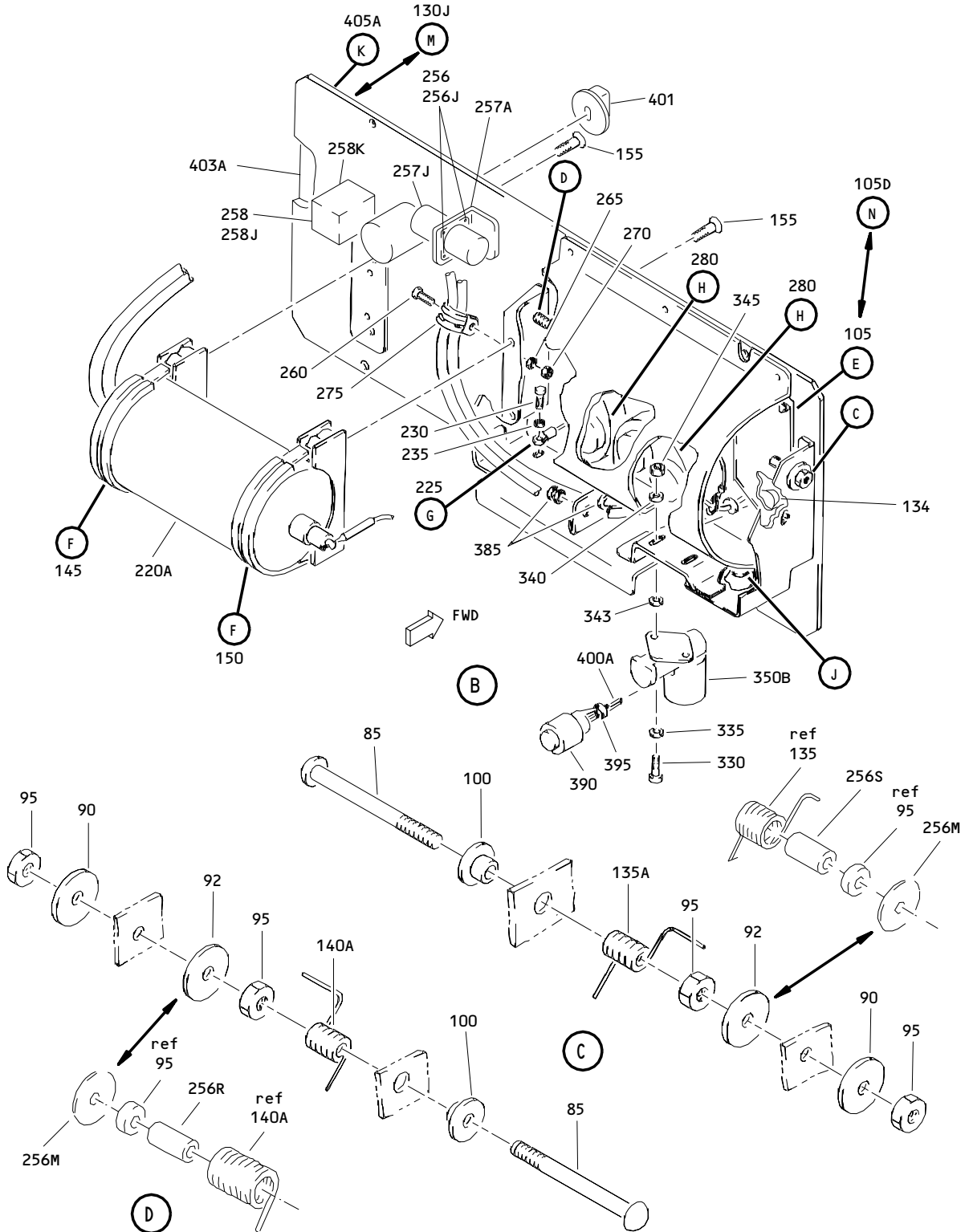
ILLUSTRATED PARTS LIST
 01.1 Page 1032
 Mar 01/00



Flight Attendant's Panel No. 3 Oxygen Module Assembly
 Figure 1 (Sheet 1)

35-21-51

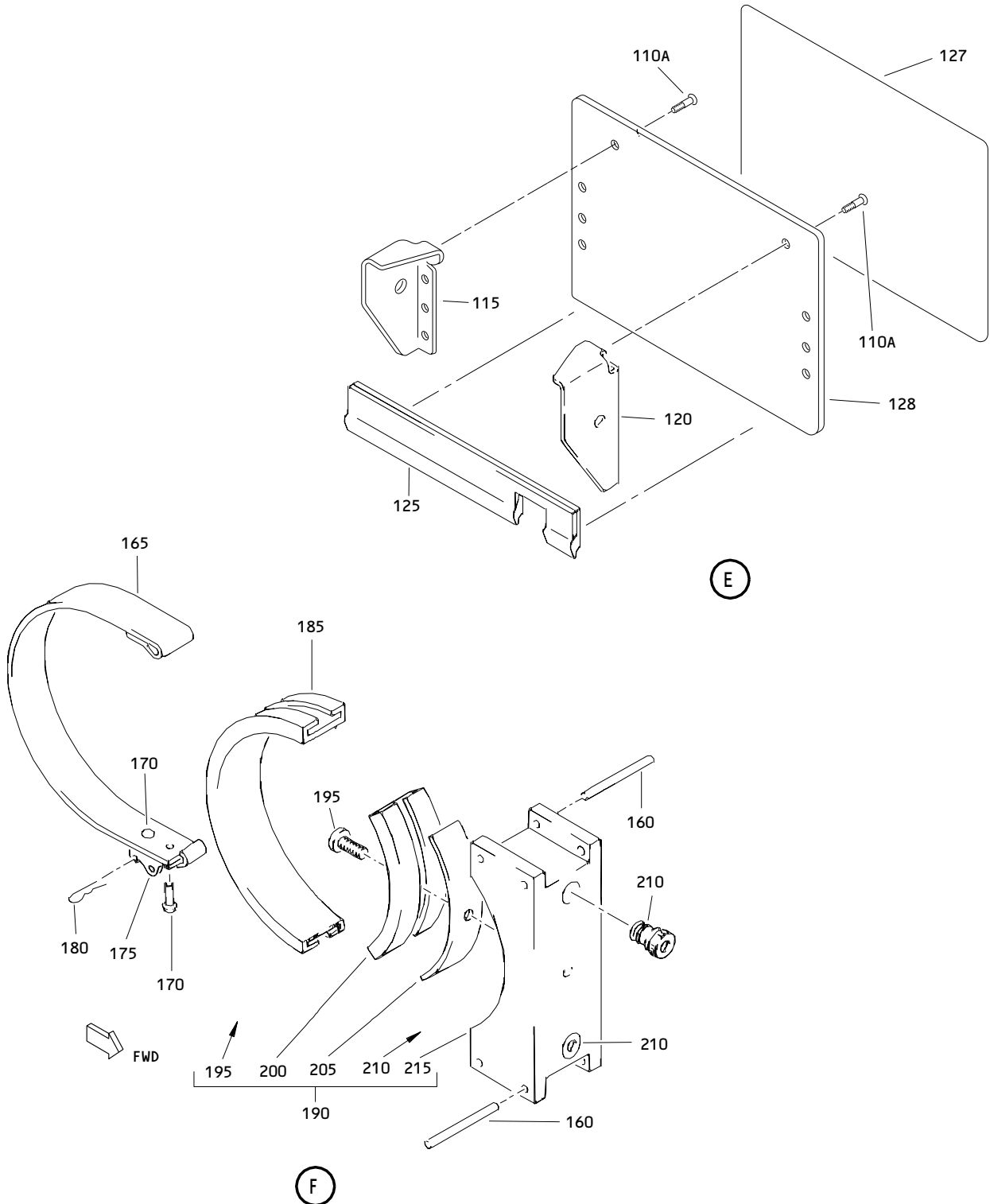
ILLUSTRATED PARTS LIST
 01.1 Page 1033
 Mar 01/00



Flight Attendant's Panel No. 3 Oxygen Module Assembly
 Figure 1 (Sheet 2)

35-21-51

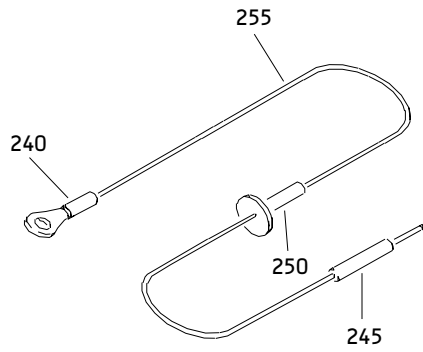
ILLUSTRATED PARTS LIST
 01.1 Page 1034
 Mar 01/00



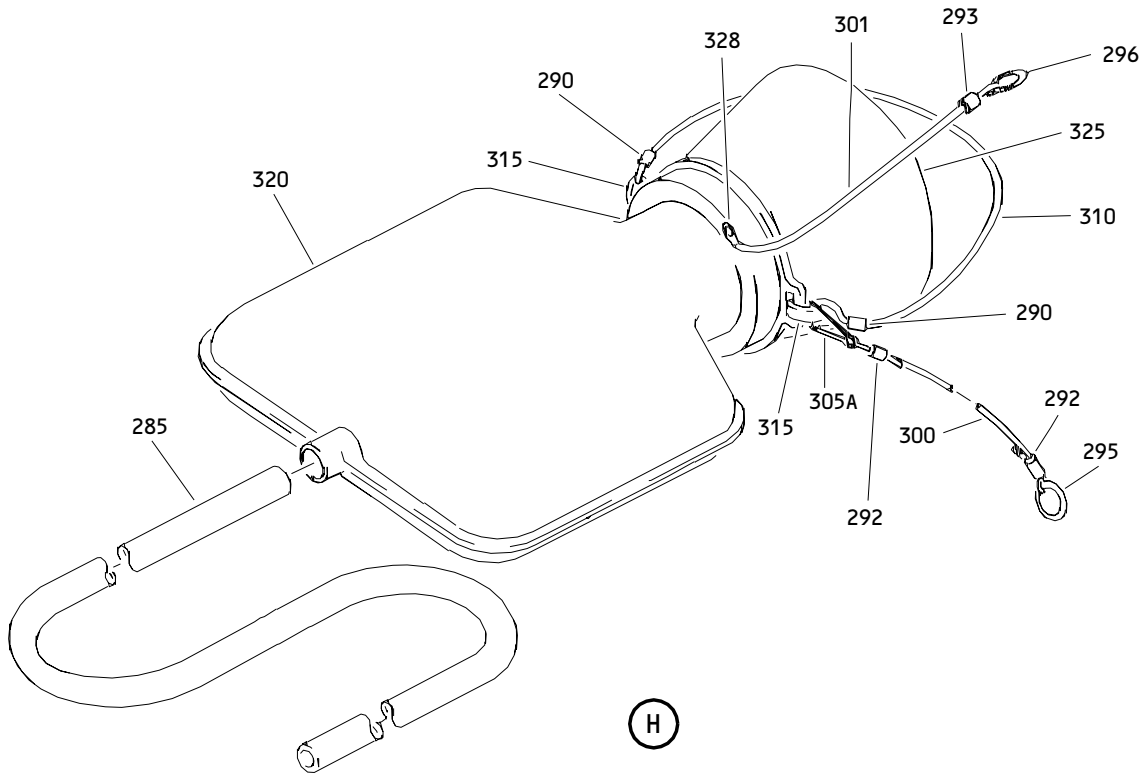
Flight Attendant's Panel No. 3 Oxygen Module Assembly
 Figure 1 (Sheet 3)

35-21-51

ILLUSTRATED PARTS LIST
 01.1 Page 1035
 Mar 01/00



(G)

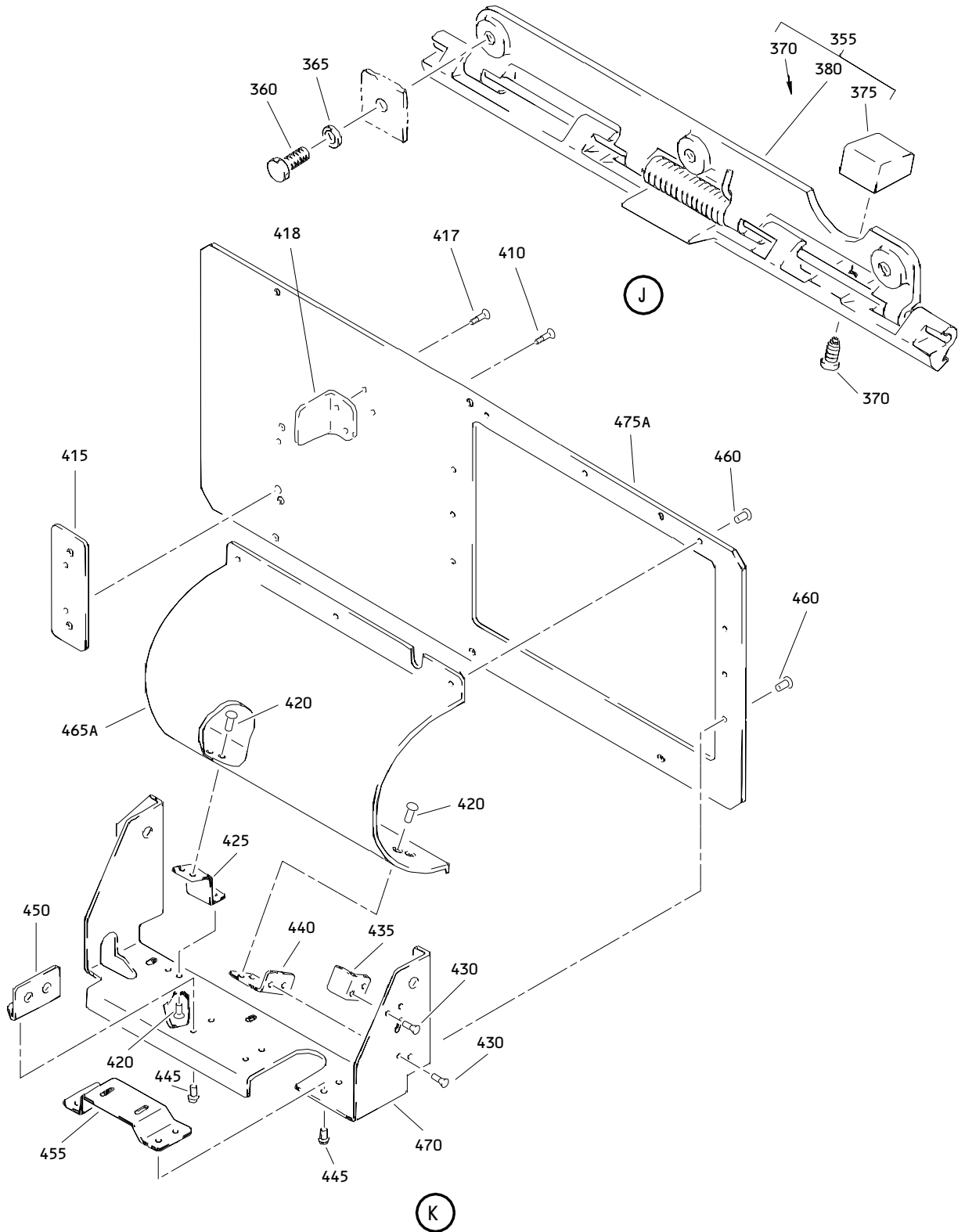


(H)

Flight Attendant's Panel No. 3 Oxygen Module Assembly
 Figure 1 (Sheet 4)

35-21-51

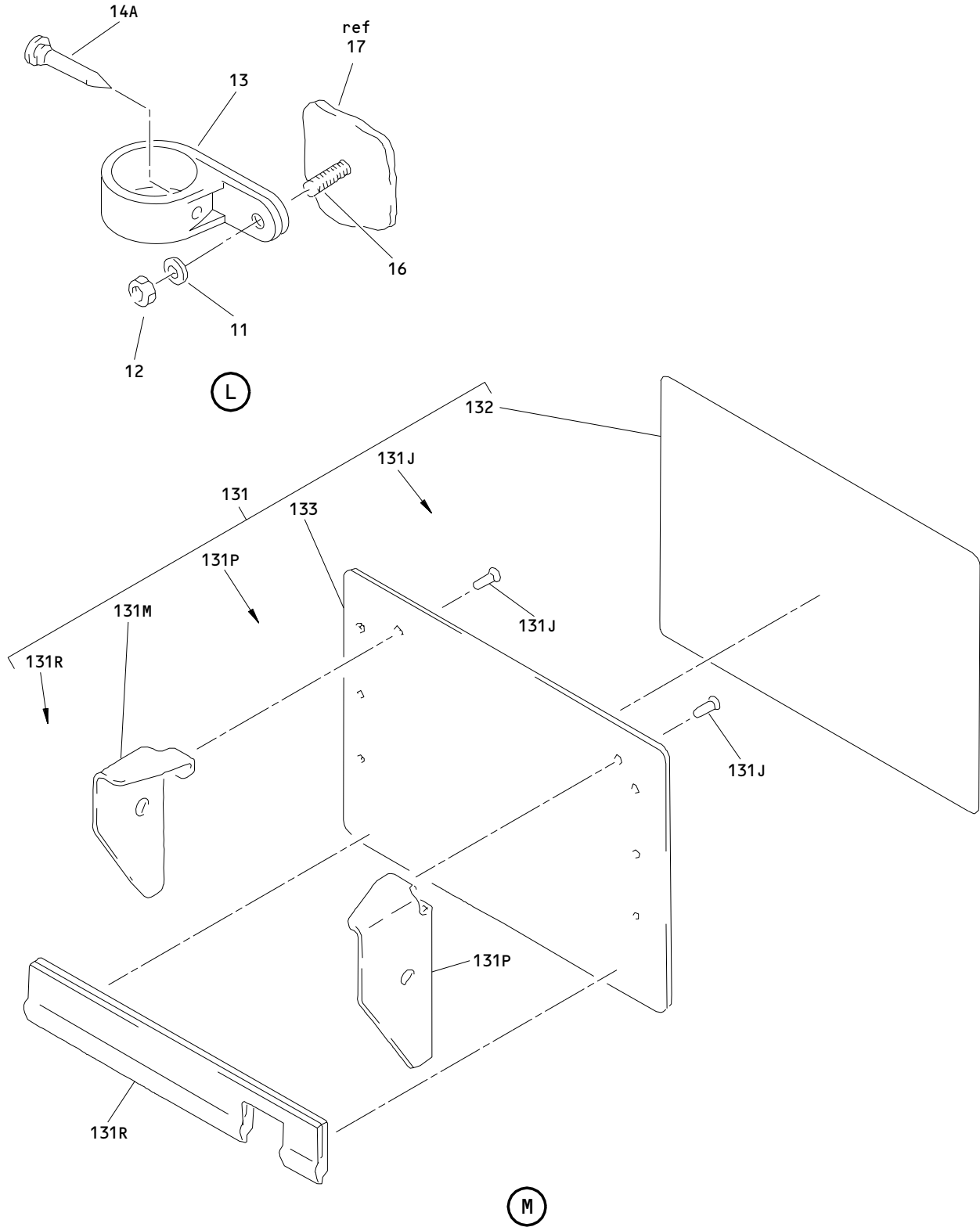
ILLUSTRATED PARTS LIST
 01.1 Page 1036
 Mar 01/00



Flight Attendant Panel No. 3 Oxygen Module Assembly
 Figure 1 (Sheet 5)

35-21-51

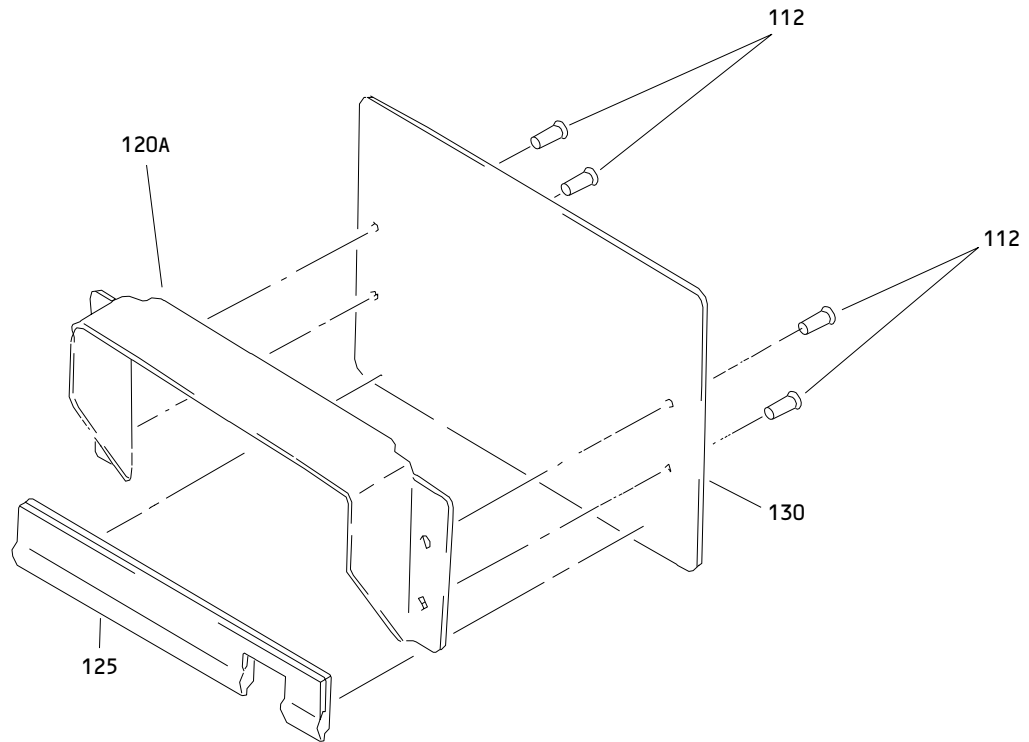
ILLUSTRATED PARTS LIST
 01.1 Page 1037
 Mar 01/00



Flight Attendant's Panel No. 3 Oxygen Module Assembly
 Figure 1 (Sheet 6)

35-21-51

ILLUSTRATED PARTS LIST
 01.1 Page 1038
 Mar 01/00

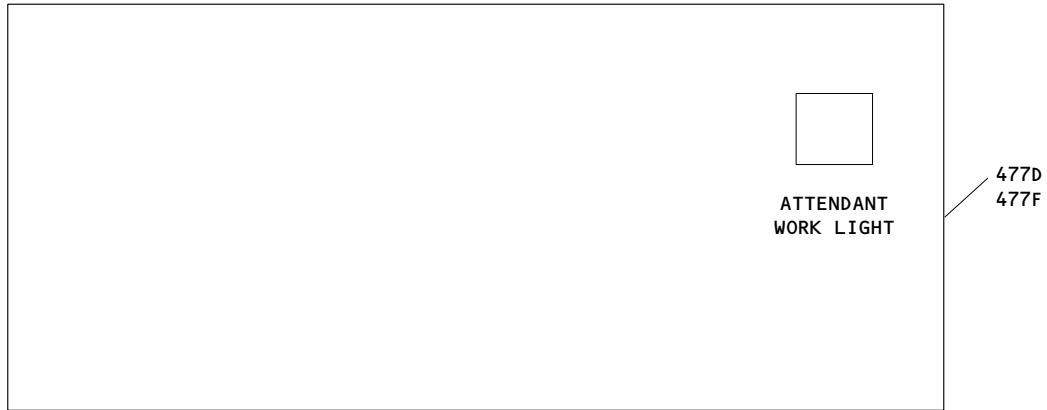


(N)

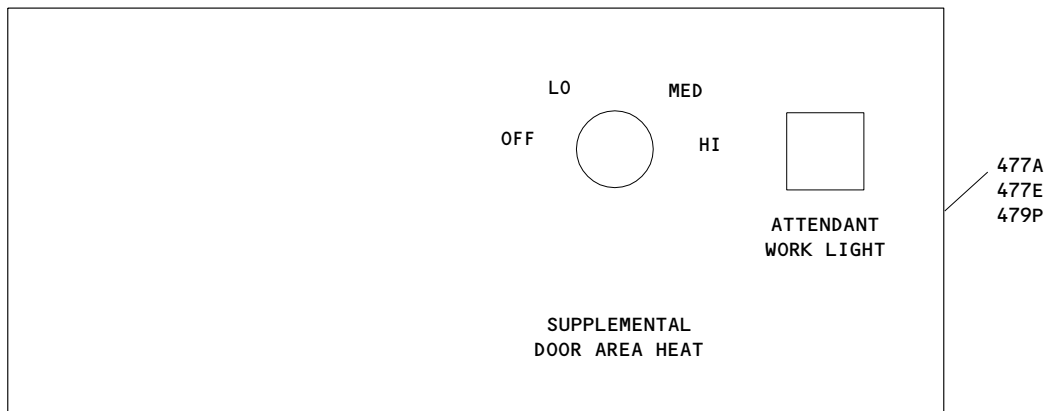
Flight Attendant's Panel No. 3 Oxygen Module Assembly
Figure 1 (Sheet 7)

35-21-51

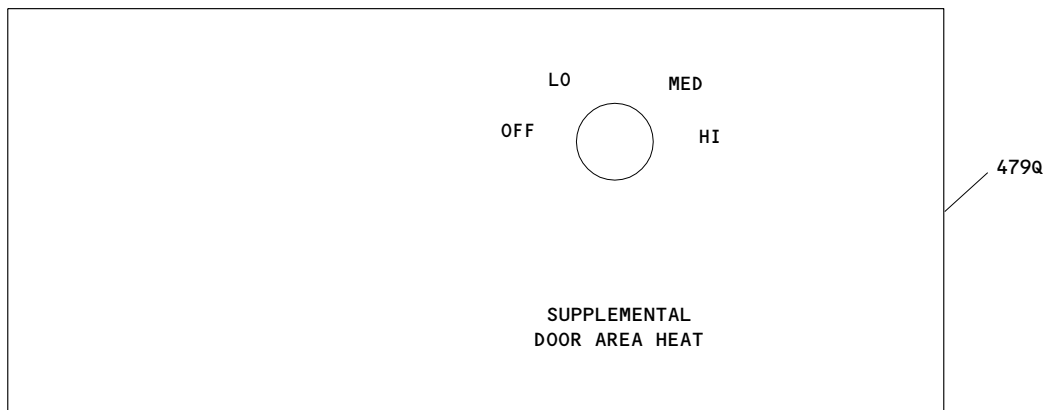
ILLUSTRATED PARTS LIST
01.1 Page 1039
Mar 01/00



P



Q



R

Flight Attendant's Panel No. 3 Oxygen Module Assembly
Figure 1 (Sheet 8)

35-21-51

ILLUSTRATED PARTS LIST
01.1 Page 1040
Mar 01/00


BOEING
 COMPONENT
 MAINTENANCE MANUAL

FIG. & ITEM	PART NO.	AIRLINE PART NUMBER	NOMENCLATURE 1234567	EFF CODE	QTY PER ASSY
01-					
-1	417T4206-3		DELETED		
-1A	417T4206-4		MODULE ASSY-ATTENDANTS PNL FLIGHT ATTENDANT NO. 3 OXY (PRE SB 35A14) (POST SB 767-35-0023)	B	RF
-1B	417T4206-5		MODULE ASSY-ATTENDANTS PNL FLIGHT ATTENDANT NO. 3 OXY (PRE SB 35A14) (POST SB 767-35-0023)	C	RF
-1C	417T4206-6		MODULE ASSY-ATTENDANTS PNL FLIGHT ATTENDANT NO. 3 OXY (PRE SB 35A14) (POST SB 767-35-0023)	D	RF
-1D	417T4206-7		MODULE ASSY-ATTENDANTS PNL FLIGHT ATTENDANT NO. 3 OXY (PRE SB 35A14) (POST SB 767-35-0023)	E	RF
-1E	417T4206-8		MODULE ASSY-ATTENDANTS PNL FLIGHT ATTENDANT NO. 3 OXY (PRE SB 35A14) (POST SB 767-35-0023)	F	RF
-1F	417T4206-9		MODULE ASSY-ATTENDANTS PNL FLIGHT ATTENDANT NO. 3 OXY (PRE SB 35A14) (POST SB 767-35-0023)	G	RF
-1G	417T4206-10		MODULE ASSY-ATTENDANTS PNL FLIGHT ATTENDANT NO. 3 OXY (PRE SB 35A14) (POST SB 767-35-0023)	H	RF
-1H	417T4206-11SP		DELETED		
-1J	417T4206-12		MODULE ASSY-ATTENDANTS PNL FLIGHT ATTENDANT NO. 3 OXY (PRE SB 35A14) (POST SB 767-35-0023)	K	RF

35-21-51

 ILLUSTRATED PARTS LIST
 01.1 Page 1041
 Mar 01/00

FIG. & ITEM	PART NO.	AIRLINE PART NUMBER	NOMENCLATURE 1234567	EFF CODE	QTY PER ASSY
01- -1K	417T4206-11		MODULE ASSY-ATTENDANTS PNL FLIGHT ATTENDANT NO. 3 OXY (PRE SB 35A14) (POST SB 767-35-0023)	J	RF
-1L	417T4206-112SP		MODULE ASSY-ATTENDANTS PNL FLIGHT ATTENDANT NO. 3 OXY	L	RF
-1M	417T4206-211		DELETED		
-1N	417T4206-213		MODULE ASSY-ATTENDANTS PNL FLIGHT ATTENDANT NO. 3 OXY (FOR DETAILS SEE FIG. 2)	N	RF
-1P	417T4206-212		MODULE ASSY-ATTENDANTS PNL FLIGHT ATTENDANT NO. 3 OXY (PRE SB 35A14) (POST SB 767-35-0023)	P	RF
-1Q	417T4206-214		MODULE ASSY-ATTENDANTS PNL FLIGHT ATTENDANT NO. 3 OXY (POST SB 767-35-0023) (FOR DETAILS SEE FIG. 2)	Q	RF
-1R	417T4206-215		MODULE ASSY-ATTENDANTS PNL FLIGHT ATTENDANT NO. 3 OXY (POST SB 767-35-0023) (FOR DETAILS SEE FIG. 2)	A	RF
-1S	417T4206-216		MODULE ASSY-ATTENDANTS PNL FLIGHT ATTENDANT NO. 3 OXY (POST SB 767-35-0023)	R	RF
-1T	417T4206-211SP		MODULE ASSY-ATTENDANTS PNL FLIGHT ATTENDANT NO. 3 OXY (PRE SB 35A14)	M	RF
-1U	417T4206-217		MODULE ASSY-ATTENDANTS PNL FLIGHT ATTENDANT NO. 3 OXY (POST SB 767-35-0023)	S	RF
-1V	417T4206-218		MODULE ASSY-ATTENDANTS PNL FLIGHT ATTENDANT NO. 3 OXY (POST SB 767-35-0023)	T	RF

35-21-51

 ILLUSTRATED PARTS LIST
 01.1 Page 1042
 Mar 01/00


BOEING
 COMPONENT
 MAINTENANCE MANUAL

FIG. & ITEM	PART NO.	AIRLINE PART NUMBER	NOMENCLATURE 1234567	EFF CODE	QTY PER ASSY
01- -1W	417T4206-219		MODULE ASSY-ATTENDANTS PNL FLIGHT ATTENDANT NO. 3 OXY (POST SB 767-35-0023)	U	RF
-1X	417T4206-220		MODULE ASSY-ATTENDANTS PNL FLIGHT ATTENDANT NO. 3 OXY (POST SB 767-35-0023)	V	RF
-1Y	417T4206-221		MODULE ASSY-ATTENDANTS PNL FLIGHT ATTENDANT NO. 3 OXY (POST SB 767-35-0023)	W	RF
-1Z	417T4206-222		MODULE ASSY-ATTENDANTS PNL FLIGHT ATTENDANT NO. 3 OXY (POST SB 767-35-0023)	X	RF
-2	417T4206-223		MODULE ASSY-ATTENDANTS PNL FLIGHT ATTENDANT NO. 3 OXY (POST SB 767-35-0023)	Y	RF
-2A	417T4206-204		MODULE ASSY-FLIGHT ATTENDANT PANEL NO. 3 OXY (POST SB 35A14) (POST SB 767-35-0023)	Z	RF
-2B	417T4206-205		MODULE ASSY-FLIGHT ATTENDANT PANEL NO. 3 OXY (POST SB 35A14) (POST SB 767-35-0023)	AA	RF
-2C	417T4206-206		MODULE ASSY-FLIGHT ATTENDANT PANEL NO. 3 OXY (POST SB 35A14) (POST SB 767-35-0023)	AB	RF
-2D	417T4206-207		MODULE ASSY-FLIGHT ATTENDANT PANEL NO. 3 OXY (POST SB 35A14) (POST SB 767-35-0023)	AC	RF
-2E	417T4206-208		MODULE ASSY-FLIGHT ATTENDANT PANEL NO. 3 OXY (POST SB 35A14) (POST SB 767-35-0023)	AD	RF

35-21-51

 ILLUSTRATED PARTS LIST
 01.1 Page 1043
 Mar 01/00

FIG. & ITEM	PART NO.	AIRLINE PART NUMBER	NOMENCLATURE 1234567	EFF CODE	QTY PER ASSY
01- -2F	417T4206-209		MODULE ASSY-FLIGHT ATTENDANT PANEL NO. 3 OXY (POST SB 35A14) (POST SB 767-35-0023)	AE	RF
-2G	417T4206-210		MODULE ASSY-FLIGHT ATTENDANT PANEL NO. 3 OXY (POST SB 35A14) (POST SB 767-35-0023)	AF	RF
-2H	417T4206-241		MODULE ASSY-FLIGHT ATTENDANT PANEL NO. 3 OXY (PRE SB 767-35-0027)	AG	RF
-2J	417T4206-243		MODULE ASSY-FLIGHT ATTENDANT PANEL NO. 3 OXY (PRE SB 767-35-0027) (FOR DETAILS SEE FIG. 2)	AH	RF
-2K	417T4206-224		MODULE ASSY-FLIGHT ATTENDANT PANEL NO. 3 OXY (PRE SB 767-35-0027) (FOR DETAILS SEE FIG. 2)	AJ	RF
-2L	417T4206-225		MODULE ASSY-FLIGHT ATTENDANT PANEL NO. 3 OXY (PRE SB 767-35-0027) (FOR DETAILS SEE FIG. 2)	AK	RF
-2M	417T4206-227		MODULE ASSY-FLIGHT ATTENDANT PANEL NO. 3 OXY (PRE SB 767-35-0027)	AL	RF
-2N	417T4206-228		MODULE ASSY-FLIGHT ATTENDANT PANEL NO. 3 OXY (PRE SB 767-35-0027)	AM	RF
-2P	417T4206-229		MODULE ASSY-FLIGHT ATTENDANT PANEL NO. 3 OXY (PRE SB 767-35-0027)	AN	RF
-2Q	417T4206-230		MODULE ASSY-FLIGHT ATTENDANT PANEL NO. 3 OXY (PRE SB 767-35-0027)	AP	RF

35-21-51

 ILLUSTRATED PARTS LIST
 01.1 Page 1044
 Mar 01/00


BOEING
 COMPONENT
 MAINTENANCE MANUAL

FIG. & ITEM	PART NO.	AIRLINE PART NUMBER	NOMENCLATURE 1234567	EFF CODE	QTY PER ASSY
01- -2R	417T4206-231		MODULE ASSY-FLIGHT ATTENDANT PANEL NO. 3 OXY (PRE SB 767-35-0027)	AQ	RF
-2S	417T4206-232		MODULE ASSY-FLIGHT ATTENDANT PANEL NO. 3 OXY (PRE SB 767-35-0027)	AR	RF
-2T	417T4206-233		MODULE ASSY-FLIGHT ATTENDANT PANEL NO. 3 OXY (PRE SB 767-35-0027)	AS	RF
-2U	417T4206-325		MODULE ASSY-FLIGHT ATTENDANT PANEL NO. 3 OXY (PRE SB 767-35-0027)	AT	RF
-2V	417T4206-327		MODULE ASSY-FLIGHT ATTENDANT PANEL NO. 3 OXY (PRE SB 767-35-0027) (FOR DETAILS SEE FIG. 2)	AU	RF
-2W	417T4206-328		MODULE ASSY-FLIGHT ATTENDANT PANEL NO. 3 OXY (PRE SB 767-35-0027)	AV	RF
-2X	417T4206-329		MODULE ASSY-FLIGHT ATTENDANT PANEL NO. 3 OXY (PRE SB 767-35-0027)	AW	RF
-2Y	417T4206-242		MODULE ASSY-FLIGHT ATTENDANT PANEL NO. 3 OXY (PRE SB 767-35-0027)	AX	RF
-2Z	417T4206-234		MODULE ASSY-FLIGHT ATTENDANT PANEL NO. 3 OXY (PRE SB 767-35-0027)	AY	RF
-3	417T4206-420		MODULE ASSY-ATTENDANTS PNL FLIGHT ATTENDANT NO. 3 OXY (POST SB 767-35-0027) (FOR DETAILS SEE FIG. 2)	AZ	RF

35-21-51

 ILLUSTRATED PARTS LIST
 01.1 Page 1045
 Mar 01/00

FIG. & ITEM	PART NO.	AIRLINE PART NUMBER	NOMENCLATURE 1234567	EFF CODE	QTY PER ASSY
01- -3A	417T4206-421		MODULE ASSY-ATTENDANTS PNL FLIGHT ATTENDANT NO. 3 OXY (POST SB 767-35-0027) (FOR DETAILS SEE FIG. 2)	BA	RF
-3B	417T4206-401		MODULE ASSY-FLIGHT ATTENDANT PNL NO. 3 OXY (POST SB 767-35-0027) (FOR DETAILS SEE FIG. 2)	BB	RF
-3C	417T4206-402		MODULE ASSY-FLIGHT ATTENDANT PNL NO. 3 OXY (POST SB 767-35-0027)	BC	RF
-3D	417T4206-403		MODULE ASSY-FLIGHT ATTENDANT PNL NO. 3 OXY (POST SB 767-35-0027)	BD	RF
-3E	417T4206-404		MODULE ASSY-FLIGHT ATTENDANT PNL NO. 3 OXY (POST SB 767-35-0027)	BE	RF
-3F	417T4206-408		MODULE ASSY-FLIGHT ATTENDANT PNL NO. 3 OXY (POST SB 767-35-0027) (FOR DETAILS SEE FIG. 3)	BF	RF
-3G	417T4206-409		MODULE ASSY-FLIGHT ATTENDANT PNL NO. 3 OXY (POST SB 767-35-0027)	BG	RF
-3H	417T4206-411		MODULE ASSY-FLIGHT ATTENDANT PNL NO. 3 OXY (FOR DETAILS SEE FIG. 2)	BH	RF
-3J	417T4206-412		MODULE ASSY-FLIGHT ATTENDANT PNL NO. 3 OXY	BJ	RF
-3K	417T4206-413		MODULE ASSY-FLIGHT ATTENDANT PNL NO. 3 OXY (FOR DETAILS SEE FIG. 2)	BK	RF
-3L	417T4206-414		MODULE ASSY-FLIGHT ATTENDANT PNL NO. 3 OXY	BL	RF
-3M	417T4206-415		MODULE ASSY-FLIGHT ATTENDANT PNL NO. 3 OXY	BM	RF
-3N	417T4206-405		MODULE ASSY-FLIGHT ATTENDANT PNL NO. 3 OXY (POST SB 767-35-0027) (FOR DETAILS SEE FIG. 2)	BN	RF
-3P	417T4206-406		MODULE ASSY-FLIGHT ATTENDANT PNL NO. 3 OXY (POST SB 767-35-0027)	BP	RF

35-21-51

ILLUSTRATED PARTS LIST

01.1

Page 1046

Mar 01/00


BOEING
 COMPONENT
 MAINTENANCE MANUAL

FIG. & ITEM	PART NO.	AIRLINE PART NUMBER	NOMENCLATURE 1234567	EFF CODE	QTY PER ASSY
01- -3Q	417T4206-407		MODULE ASSY-FLIGHT ATTENDANT PNL NO. 3 OXY (POST SB 767-35-0027)	BQ	RF
-3R	417T4206-410		MODULE ASSY-FLIGHT ATTENDANT PNL NO. 3 OXY (POST SB 767-35-0027) (FOR DETAILS SEE FIG. 2)	BR	RF
R -3S	417T4206-436		MODULE ASSY-FLIGHT ATTENDANT PNL NO. 3 OXY	BS	RF
R -3T	417T4206-438		MODULE ASSY-FLIGHT ATTENDANT PNL NO. 3 OXY	BT	RF
R -3U	417T4206-439		MODULE ASSY-FLIGHT ATTENDANT PNL NO. 3 OXY	BU	RF
R -3V	417T4206-441		MODULE ASSY-FLIGHT ATTENDANT PNL NO. 3 OXY (FOR DETAILS SEE FIG. 2)	BV	RF
R -3W	417T4206-442		MODULE ASSY-FLIGHT ATTENDANT PNL NO. 3 OXY	BW	RF
R -3X	417T4206-443		MODULE ASSY-FLIGHT ATTENDANT PNL NO. 3 OXY (FOR DETAILS SEE FIG. 2)	BX	RF
R -3Y	417T4206-444		MODULE ASSY-FLIGHT ATTENDANT PNL NO. 3 OXY	BY	RF
R -3Z	417T4206-445		MODULE ASSY-FLIGHT ATTENDANT PNL NO. 3 OXY	BZ	RF
R -4	417T4206-450		MODULE ASSY-FLIGHT ATTENDANT PNL NO. 3 OXY (FOR DETAILS SEE FIG. 2)	CA	RF
R -4A	417T4206-451		MODULE ASSY-FLIGHT ATTENDANT PNL NO. 3 OXY (FOR DETAILS SEE FIG. 2)	CB	RF
R -4B	417T4206-453		MODULE ASSY-FLIGHT ATTENDANT PNL NO. 3 OXY (FOR DETAILS SEE FIG. 2)	CC	RF
R -4C	417T4206-435		MODULE ASSY-FLIGHT ATTENDANT PNL NO. 3 OXY (FOR DETAILS SEE FIG. 2)	CD	RF
R -4D	417T4206-454		MODULE ASSY-FLIGHT ATTENDANT PNL NO. 3 OXY (FOR DETAILS SEE FIG. 2)	CE	RF

35-21-51

 ILLUSTRATED PARTS LIST
 01.1 Page 1047
 Mar 01/00

FIG. & ITEM	PART NO.	AIRLINE PART NUMBER	NOMENCLATURE 1234567	EFF CODE	QTY PER ASSY
R 01- -4E	417T4206-455		MODULE ASSY-FLIGHT ATTENDANT PNL NO. 3 OXY (FOR DETAILS SEE FIG. 3)	CF	RF
R -4F	417T4206-458		MODULE ASSY-FLIGHT ATTENDANT PNL NO. 3 OXY	CG	RF
R -4G	417T4206-601		MODULE ASSY-FLIGHT ATTENDANT PNL NO. 3 OXY (FOR DETAILS SEE FIG. 3)	CH	RF
R -4H	417T4206-603		MODULE ASSY-FLIGHT ATTENDANT PNL NO. 3 OXY (FOR DETAILS SEE FIG. 2)	CJ	RF
R -4J	417T4206-604		MODULE ASSY-FLIGHT ATTENDANT PNL NO. 3 OXY	CK	RF
5	NAS1801-08-4		.SCREW	B-M,P ,R-AG ,AL-A S,A U-AX BC-BE ,BG,B J,BL, BM,BP ,BQ BS-BU ,BW,B Y,BZ, CG,CK	7
7	NAS1801-08-4		.SCREW	BC-BE ,BG,B J,BL, BM,BQ ,BT BU,BY ,BZ,C G,CK	2
10 10A	AN960KD8L AN960PD8		DELETED .WASHER	B-M,P ,R-AG ,AL-A S,A U-AX	7

35-21-51

ILLUSTRATED PARTS LIST

01.1 Page 1048

Mar 01/00


BOEING
 COMPONENT
 MAINTENANCE MANUAL

FIG. & ITEM	PART NO.	AIRLINE PART NUMBER	NOMENCLATURE 1234567	EFF CODE	QTY PER ASSY
01- -10B	NAS1149DN832J		.WASHER	BC-BE ,BG,B J,BL, BM,BP ,BQ BS-BU ,BW,B Y,BZ, CG,CK	7
10L	NAS1149DN832J		.WASHER	BC-BE ,BG,B J,BL, BM,BQ ,BT BU,BY ,BZ,C G,CK	2
11	MS35333-38		.WASHER-SPRING	B-M,P ,R-AG ,AL-A S,A U-AX BC-BE ,BG,B J,BL, BM,BP ,BQ BS-BU ,BW,B Y,BZ, CG,CK	3
R 11E	MS35333-38		.WASHER-SPRING	CK	1

35-21-51

ILLUSTRATED PARTS LIST

01.1

Page 1049

Mar 01/00

FIG. & ITEM	PART NO.	AIRLINE PART NUMBER	NOMENCLATURE	EFF CODE	QTY PER ASSY
01-12	MS35649-282		.NUT	B-M,P ,R-AG ,AL-A S,A U-AX BC-BE ,BG,B J,BL, BM,BP ,BQ BS-BU ,BW,B Y,BZ, CG,CK	3
R 12E 13	MS35649-282 BACC10DK6		.NUT .CLAMP	CK B-M,P ,R-AG ,AL-A S,A U-AX BC-BE ,BG,B J,BL, BM,BP ,BQ BS-BU ,BW,B Y,BZ, CG,CK	1 3

35-21-51

 ILLUSTRATED PARTS LIST
 01.1 Page 1050
 Mar 01/00


BOEING
 COMPONENT
 MAINTENANCE MANUAL

FIG. & ITEM	PART NO.	AIRLINE PART NUMBER	NOMENCLATURE 1234567	EFF CODE	QTY PER ASSY
R 01- 13E 14 14A	BACC10DK4 BACP30BA1 N2088		.CLAMP DELETED .PLUG-FILLER (V75345) (SPEC BACP20BA1) (OPT SZ7105 (V95272)) (OPT 4841 (V84914))	CK B-M,P ,R-AG ,AL-A S,A U-AX BC-BE ,BG,B J,BL, BM,BP ,BQ BS-BU ,BW,B Y,BZ, CG,CK CK	2 3
R 14E	N2088		.PLUG-FILLER (V75345) (SPEC BACP20BA1) (OPT SZ7105 (V95272)) (OPT 4841 (V84914))		1
15 -15A -15B -15C 16	417T6007-7 417T6007-10 417T6007-10 417T6007-20 SL6156-08		DELETED DELETED DELETED DELETED .STUD- (V97393)		3

35-21-51

ILLUSTRATED PARTS LIST

01.1

Page 1051

Mar 01/00

FIG. & ITEM	PART NO.	AIRLINE PART NUMBER	NOMENCLATURE 1234567	EFF CODE	QTY PER ASSY
R 01-16E	SL6156-08		.STUD- (V97393)	CK	1
17	417T6007-7		.SHROUD ASSY- (OPT ITEM 17A)	B-D	1
-17A	417T6007-10		.SHROUD ASSY- (OPT ITEM 17)	B-D	1
-17B	417T6007-10		.SHROUD ASSY	E-M,P ,R-W, Z-AG, AL-AQ ,AX BE,BP ,BQ,B S,BT X,Y,A R,AS, BG,BJ ,BU,B W	1
-17C	417T6007-20		.SHROUD ASSY	X,Y,A R,AS, BG,BJ ,BU,B W	1
-17D	417T6007-21		.SHROUD ASSY	AU-AW ,BC,B D	1
-17E	417T6007-26		.SHROUD ASSY	BL,BM ,BY,B Z	1
R -17F	417T6007-30		..SHROUD ASSY	CK	1
R -17G	417T6007-39		..SHROUD ASSY	CG	1
20	NAS1394-08L		DELETED		
20A	NAS1394-08		..INSERT- (OPT ITEMS 20B, 20C, 20D, 20E)	B-M,P ,R-AG ,AL-A S,A U-AX BC-BE ,BG,B J,BL, BM,BP ,BQ BS-BU ,BW,B Y,BZ, CG,CK	6

35-21-51

ILLUSTRATED PARTS LIST

01.1 Page 1052

Mar 01/00


BOEING
 COMPONENT
 MAINTENANCE MANUAL

FIG. & ITEM	PART NO.	AIRLINE PART NUMBER	NOMENCLATURE 1234567	EFF CODE	QTY PER ASSY
01- -20B	TNC2C0164		..INSERT- (V29372) (OPT ITEMS 20A, 20C, 20D, 20E)	B-M,P ,R-AG ,AL-A S,A U-AX BC-BE ,BG,B J,BL, BM,BP ,BQ BS-BU ,BW,B Y,BZ, CG,CK	6
-20C	1185-2CN0164		..INSERT- (V26014) (OPT ITEMS 20A, 20B, 20D, 20E)	B-M,P ,R-AG ,AL-A S,A U-AX BC-BE ,BG,B J,BL, BM,BP ,BQ BS-BU ,BW,B Y,BZ, CG,CK	6
R -20D	KN0832JMXSZ		..INSERT- (V29372) (OPT ITEMS 20A, 20B, 20C, 20E)	B-M,P ,R-AG ,AL-A S,A U-AX BC-BE ,BG,B J,BL, BM,BP ,BQ BS-BU ,BW,B Y,BZ, CG,CK	6

35-21-51

ILLUSTRATED PARTS LIST

01.1

Page 1053

Mar 01/00

FIG. & ITEM	PART NO.	AIRLINE PART NUMBER	NOMENCLATURE 1234567	EFF CODE	QTY PER ASSY
R 01- -20E	MS51830A104		..INSERT- (OPT ITEMS 20A, 20B, 20C, 20D)	B-M,P ,R-AG ,AL-A S,A U-AX BC-BE ,BG,B J,BL, BM,BP ,BQ BS-BU ,BW,B Y,BZ, CG,CK	6
23	NAS1394-08		..INSERT- (OPT ITEMS 23A, 23B, 23C,23D) (USED ON ITEMS 17A, 17B, 17C, 17D, 17E, 17F, 17G)	B-M,P ,R-AG ,AL-A S,A U-AX BC-BE ,BG,B J,BL, BM,BP ,BQ BS-BU ,BW,B Y,BZ, CG,CK	5
-23A	TNC2C0164		..INSERT- (V29372) (OPT ITEMS 23, 23B, 23C, 23D) (USED ON ITEMS 17A, 17B, 17C, 17D, 17E, 17F, 17G)	B-M,P ,R-AG ,AL-A S,A U-AX BC-BE ,BG,B J,BL, BM,BP ,BQ BS-BU ,BW,B Y,BZ, CG,CK	5

35-21-51

ILLUSTRATED PARTS LIST

01.1

Page 1054

Mar 01/00

BOEING
 COMPONENT
 MAINTENANCE MANUAL

FIG. & ITEM	PART NO.	AIRLINE PART NUMBER	NOMENCLATURE	EFF CODE	QTY PER ASSY
01- -23B	1185-2CN0164		1234567 ..INSERT- (V26014) (OPT ITEMS 23, 23A, 23C,23D) (USED ON ITEMS 17A, 17B, 17C, 17D, 17E, 17F, 17G)	B-M,P ,R-AG ,AL-A S,A U-AX BC-BE ,BG,B J,BL, BM,BP ,BQ BS-BU ,BW,B Y,BZ, CG,CK	5
R -23C	KN0832JMXSZ		..INSERT- (V29372) (OPT ITEMS 23, 23A, 23B,23D) (USED ON ITEMS 17A, 17B, 17C, 17D, 17E, 17F, 17G)	B-M,P ,R-AG ,AL-A S,A U-AX BC-BE ,BG,B J,BL, BM,BP ,BQ BS-BU ,BW,B Y,BZ, CG,CK	5
R -23D	MS51830A104		..INSERT- (OPT ITEMS 23, 23A, 23B,23C) (USED ON ITEMS 17A, 17B, 17C, 17D, 17E, 17F, 17G)	B-M,P ,R-AG ,AL-A S,A U-AX BC-BE ,BG,B J,BL, BM,BP ,BQ BS-BU ,BW,B Y,BZ, CG,CK	5

35-21-51

ILLUSTRATED PARTS LIST
 01.1 Page 1055
 Mar 01/00

FIG. & ITEM	PART NO.	AIRLINE PART NUMBER	NOMENCLATURE 1234567	EFF CODE	QTY PER ASSY
01-25	417T6005-2		..BRACKET ASSY-MTG (USED ON ITEM 17)	B-D	1
-25A	417T6005-4		..BRACKET ASSY-MTG (USED ON ITEMS 17A, 17B, 17C, 17D, 17E, 17F, 17G)	B-M,P ,R-AG ,AL-A S,A U-AX BC-BE ,BG,B J,BL, BM,BP ,BQ BS-BU ,BW,B Y,BZ, CG,CK	1
29 30	BAC27TPPS6394 BACS21AP80R		DELETED ...STUD	B-M,P ,R-AG ,AL-A S,A U-AX BC-BE ,BG,B J,BL, BM,BP ,BQ BS-BU ,BW,B Y,BZ, CG,CK	1

35-21-51

ILLUSTRATED PARTS LIST

01.1

Page 1056

Mar 01/00

BOEING
 COMPONENT
 MAINTENANCE MANUAL

FIG. & ITEM	PART NO.	AIRLINE PART NUMBER	NOMENCLATURE	EFF CODE	QTY PER ASSY
01-35	BACR12AG2C		1234567 ...RING	B-M,P ,R-AG ,AL-A S,A U-AX BC-BE ,BG,B J,BL, BM,BP ,BQ BS-BU ,BW,B Y,BZ, CG,CK B-D	1
40	417T6014-3		...BRACKET- (USED ON ITEM 25)		1
-40A	417T6014-6		...BRACKET- (USED ON ITEM 25A)	B-M,P ,R-AG ,AL-A S,A U-AX BC-BE ,BG,B J,BL, BM,BP ,BQ BS-BU ,BW,B Y,BZ, CG,CK	1

35-21-51

ILLUSTRATED PARTS LIST
 01.1 Page 1057
 Mar 01/00

FIG. & ITEM	PART NO.	AIRLINE PART NUMBER	NOMENCLATURE 1234567	EFF CODE	QTY PER ASSY
01-45	417T6005-4		..BRACKET ASSY-MTG (USED ON ITEM 17)	B-D	1
-45A	417T6005-2		..BRACKET ASSY-MTG (USED ON ITEMS 17A, 17B, 17C, 17D, 17E, 17F, 17G)	B-M,P ,R-AG ,AL-A S,A U-AX BC-BE ,BG,B J,BL, BM,BP ,BQ BS-BU ,BW,B Y,BZ, CG,CK	1
50	BACS21AP80R		...STUD	B-M,P ,R-AG ,AL-A S,A U-AX BC-BE ,BG,B J,BL, BM,BP ,BQ BS-BU ,BW,B Y,BZ, CG,CK	1
55	BACR12AG2C		...RING	B-M,P ,R-AG ,AL-A S,A U-AX BC-BE ,BG,B J,BL, BM,BP ,BQ BS-BU ,BW,B Y,BZ, CG,CK	1

35-21-51

ILLUSTRATED PARTS LIST

01.1 Page 1058

Mar 01/00


BOEING
 COMPONENT
 MAINTENANCE MANUAL

FIG. & ITEM	PART NO.	AIRLINE PART NUMBER	NOMENCLATURE 1234567	EFF CODE	QTY PER ASSY
01-60	417T6014-6		...BRACKET- (USED ON ITEM 45)	B-D	1
-60A	417T6014-3		...BRACKET- (USED ON ITEM 45A)	B-M,P ,R-AG ,AL-A S,A U-AX BC-BE ,BG,B J,BL, BM,BP ,BQ BS-BU ,BW,B Y,BZ, CG,CK	1
65	417T6007-4		..HINGE- (ALT FROM H1002S1-5WI (V83014))	B-M,P ,R-AG ,AL-A S,A U-AX BC-BE ,BG,B J,BL, BM,BP ,BQ BS-BU ,BW,B Y,BZ, CG,CK	1
70	417T6007-6		..SKIRT-BOTTOM (OPT ITEM 70A) (USED ON ITEM 17)	B-D	1
-70A	417T6007-8		..SKIRT-BOTTOM (OPT ITEM 70) (USED ON ITEM 17)	B-D	1
70G	417T6007-2		DELETED		
-70H	417T6007-11		DELETED		
71	AN960PD8		DELETED		
72	417T4312-12		DELETED		
73	417T4313-1		DELETED		
74	NAS1394-08L		DELETED		
74G	417T4313-2		DELETED		
75	417T6007-2		..SHROUD- (USED ON ITEM 17)	B-D	1

35-21-51

 ILLUSTRATED PARTS LIST
 01.1 Page 1059
 Mar 01/00

FIG. & ITEM	PART NO.	AIRLINE PART NUMBER	NOMENCLATURE 1234567	EFF CODE	QTY PER ASSY
01- -75A	417T6007-11		..SHROUD- (USED ON ITEMS 17A, 17B)	B-M,P ,R-W, Z-AG, AL-AQ ,AX BE,BP ,BQ,B S,BT	1
-75B	417T6007-19		..SHROUD	X,Y,A R,AS, BG,BJ ,BU,B W	1
-75C	417T6007-23		..SHROUD	AU-AW ,BC,B D	1
-75D	417T6007-27		..SHROUD	BL,BM ,BY,B Z	1
R -75E	417T6007-31		..SHROUD	CK	1
R -75F	417T6007-41		..SHROUD	CG	1
75T	NAS1801-08-5		.SCREW	B-M,P ,R-AG ,AL-A S,A U-AX BC-BE ,BG,B J,BL, BM,BP ,BQ BS-BU ,BW,B Y,BZ	2
75W	NAS1801-08-5		.SCREW	B-M,P ,R-AG ,AL-A S,A U-AX, CG CK	2
R 77	NAS1149DN832J		.WASHER	CG,CK	2
80	417T4268-5		DELETED		
-80A	417T4268-6		DELETED		
80B	417T4268-7		DELETED		

35-21-51

ILLUSTRATED PARTS LIST

01.1 Page 1060

Mar 01/00


BOEING
 COMPONENT
 MAINTENANCE MANUAL

FIG. & ITEM	PART NO.	AIRLINE PART NUMBER	NOMENCLATURE 1234567	EFF CODE	QTY PER ASSY
01-					
-80C	417T4268-9		.PANEL ASSY	B,E	1
-80D	417T4268-10		.PANEL ASSY	C	1
-80E	417T4268-12		.PANEL ASSY	D,F	1
-80F	417T4268-14		.PANEL ASSY	G	1
-80G	417T4268-15		.PANEL ASSY	H	1
-80H	417T4268-16		.PANEL ASSY	J	1
-80J	417T4268-17		.PANEL ASSY	K	1
-80K	417T4268-37		.PANEL ASSY- (POST SB 767-35-0023)	L	1
-80L	417T4268-56		.PANEL ASSY	M	1
-80M	417T4268-57		.PANEL ASSY- (POST SB 767-35-0023)	P	1
-80N	417T4268-60		.PANEL ASSY	R-T, W-Y	1
-80P	417T4268-62		.PANEL ASSY	U	1
-80Q	417T4268-63		.PANEL ASSY	V	1
-80R	417T4268-49		.PANEL ASSY	Z,AC	1
-80S	417T4268-50		.PANEL ASSY	AA,AD	1
-80T	417T4268-52		.PANEL ASSY	AB	1
-80U	417T4268-54		.PANEL ASSY	AE	1
-80V	417T4268-55		.PANEL ASSY	AF	1
-80W	417T4268-69		.PANEL ASSY	AX	1
-80X	417T4268-70		.PANEL ASSY- (PRE SB 767-35-0027)	AN	1
-80Y	417T4268-71		.PANEL ASSY- (PRE SB 767-35-0027)	AP	1
-80Z	417T4268-72		.PANEL ASSY- (PRE SB 767-35-0027)	AQ	1
-81	417T4268-79		.PANEL ASSY- (PRE SB 767-35-0027)	AU,AV	1
-81A	417T4268-80		.PANEL ASSY- (PRE SB 767-35-0027)	AW	1
-81B	417T4268-121		.PANEL ASSY- (POST SB 767-35-0027)	BC	1
-81C	417T4268-122		.PANEL ASSY- (POST SB 767-35-0027)	BD	1
-81D	417T4268-123		.PANEL ASSY- (POST SB 767-35-0027)	BE	1
-81E	417T4268-127		DELETED		
-81F	417T4268-132		.PANEL ASSY- (POST SB 767-35-0027)	BG	1
-81G	417T4268-131		.PANEL ASSY	BJ	1
-81H	417T4268-133		.PANEL ASSY	BL	1
-81J	417T4268-134		.PANEL ASSY	BM	1

35-21-51

ILLUSTRATED PARTS LIST

01.1

Page 1061

Mar 01/00

FIG. & ITEM	PART NO.	AIRLINE PART NUMBER	NOMENCLATURE 1234567	EFF CODE	QTY PER ASSY
01- -81K	417T4268-69		.PANEL ASSY- (PRE SB 767-35-0027)	AG,AL ,AM,A R,AS	1
-81L	417T4268-125		.PANEL ASSY- (POST SB 767-35-0027)	BP	1
-81M	417T4268-126		.PANEL ASSY- (POST SB 767-35-0027)	BQ	1
R -81N	417T4268-145		.PANEL ASSY	BS	1
R -81P	417T4268-147		.PANEL ASSY	BT	1
R -81Q	417T4268-152		.PANEL ASSY	BU	1
R -81R	417T4268-151		.PANEL ASSY	BW	1
R -81S	417T4268-163		.PANEL ASSY	BY	1
R -81T	417T4268-154		.PANEL ASSY	BZ	1
R -81U	417T4268-153		.PANEL ASSY	CG	1
R -81V	417T4268-204		.PANEL ASSY	CK	1
85	NAS428-3-13		..BOLT	B-M,P ,R-AG ,AL-A S,A U-AX	2
-85A	BACS12FA3K24		..SCREW	BJ,BL ,BM,B W,BY, BZ	2
-85B	BACS12FA3K26		..SCREW	BC-BE ,BG,B P,BQ, BS-BU ,CG CKG	2
90	MS25440-3		..WASHER	B-M,P ,R-AG ,AL-A S,A U-AX BC-BE ,BG,B J,BL, BM,BP ,BQ BS-BU ,BW,B Y,BZ, CG,CK	2

35-21-51

 ILLUSTRATED PARTS LIST
 01.1 Page 1062
 Mar 01/00


BOEING
 COMPONENT
 MAINTENANCE MANUAL

FIG. & ITEM	PART NO.	AIRLINE PART NUMBER	NOMENCLATURE 1234567	EFF CODE	QTY PER ASSY
01-92	MS25440-3		..WASHER	B-M,P ,R-AG ,AL-A S,A U-AX	2
95	H10-3BAC		..NUT- (V15653) (SPEC BACN10JC3) (OPT NS202101-02 (V80539)) (OPT RMLH9075-3W (V72962)) (OPT T6S1032J (V71087)) (OPT VN303A02 (V92215)) (OPT 96-02 (V80539)) (OPT BRH10A3 (V52828))	B-M,P ,R-AG ,AL-A S,A U-AX BC-BE ,BG,B J,BL, BM,BP ,BQ BS-BU ,BW,B Y,BZ, CG,CK	4
100	69B51616-1		..BUSHING	B-M,P ,R-AG ,AL-A S,A U-AX BC-BE ,BG,B J,BL, BM,BP ,BQ BS-BU ,BW,B Y,BZ, CG,CK	2

35-21-51

ILLUSTRATED PARTS LIST

01.1

Page 1063

Mar 01/00

FIG. & ITEM	PART NO.	AIRLINE PART NUMBER	NOMENCLATURE 1234567	EFF CODE	QTY PER ASSY
01-105	417T4265-1		..DOOR ASSY	B,C,E ,H,K, P,Z,A A,AC, AD,AF	1
-105A	417T4265-5		..DOOR ASSY	D,F,G ,J,M, AB,AE	1
-105B	417T4265-11		..DOOR ASSY	L	1
-105C	417T4265-5		..DOOR ASSY- (PRE SB 767-35-0023)	R-Y	1
105D	417T4265-23		..DOOR ASSY	BJ,BL ,BM	1
-105E	417T4265-23		..DOOR ASSY- (POST SB 767-35-0027)	BC-BE ,BG,B P,BQ	1
R -105F	417T4265-25		..DOOR ASSY	BS-BU ,BW,B Y,BZ, CG,CK	1
110	BACR15BCE4AD		DELETED		
110A	BACR15CE4AD		...RIVET- (SIZE DETERMINE ON INST)	B-M,P ,R-AF	8
112	BACR15CE4AD		...RIVET- (SIZE DETERMINE ON INST)	BC-BE ,BG,B J,BL, BM,BP ,BQ BS-BU ,BW,B Y,BZ, CG,CK	4

35-21-51

ILLUSTRATED PARTS LIST

01.1

Page 1064

Mar 01/00


BOEING
 COMPONENT
 MAINTENANCE MANUAL

FIG. & ITEM	PART NO.	AIRLINE PART NUMBER	NOMENCLATURE 1234567	EFF CODE	QTY PER ASSY
01-115	417T4310-1		...BRACKET	B-M,P ,R-AF	1
120	417T4310-2		...BRACKET	B-M,P ,R-AF	1
120A	417T4310-5		...BRACKET	BC-BE ,BG,B ,J,BL, BM,BP ,BQ BS-BU ,BW,B Y,BZ, CG,CK	1
125	417T4309-1		...STRIKE-LATCH	B-M,P ,R-AF ,BC-B E,BG, BJ,BL BM,BP ,BQ,B S-BU, BW,BY ,BZ CG,CK	1
127	417T4265-3		...FACEPLATE	B,C,E ,H,K, P,Z,A A,AC, AD,AF	1
-127A	417T4265-4		...FACEPLATE	D,F,G ,J,M, R-Y,A B,AE	1
-127B	417T4265-13		...FACEPLATE	L	1

35-21-51

 ILLUSTRATED PARTS LIST
 01.1 Page 1065
 Mar 01/00

FIG. & ITEM	PART NO.	AIRLINE PART NUMBER	NOMENCLATURE 1234567	EFF CODE	QTY PER ASSY
R 01-128	417T4310-3		...PANEL	B-M,P R-AF BC-B E,BG, BJ,BL BM,BP BQ,B S-BU, BW,BY BZ CG,CK	1
130	417T4310-3		DELETED		
130J	417T4265-19		..DOOR ASSY	AX	1
-130K	417T4265-20		DELETED		
-130L	417T4265-19		..DOOR ASSY- (POST SB 767-35-0023)	R-Y	1
-130M	417T4265-19		..DOOR ASSY- (PRE SB 767-35-0027)	AG,A L-AS	1
-130N	417T4265-21		..DOOR ASSY- (PRE SB 767-35-0027)	AU-AW	1
131	417T4265-5		...DOOR ASSY	R-Y,A G,A L-AS, AX	1
-131A	417T4265-20		...DOOR ASSY	AU-AW	1
131J	BACR15CE4AD	RIVET- (SIZE DETERMINE ON INST)	R-Y,A G,A L-AS, AU-AX	8
131M	417T4310-1	BRACKET	R-Y,A G,A L-AS, AU-AX	1
131P	417T4310-2	BRACKET	R-Y,A G,A L-AS, AU-AX	1
131R	417T4309-1	STRIKE-LATCH	R-Y,A G,A L-AS, AU-AX	1

35-21-51

ILLUSTRATED PARTS LIST

01.1

Page 1066

Mar 01/00


BOEING
 COMPONENT
 MAINTENANCE MANUAL

FIG. & ITEM	PART NO.	AIRLINE PART NUMBER	NOMENCLATURE 1234567	EFF CODE	QTY PER ASSY
01- 131T 132	417T5310-3 417T4265-4		DELETEDFACEPLATE	R-Y,A G,A L-AS, AX	1
133	417T4310-3	PANEL	R-Y,A G,A L-AS, AU-AX	1
134	3065		..BUMPER- (V13862)	BC-BE ,BG,B J,BL, BM,BP ,BQ BS-BU ,BW,B Y,BZ, CG,CK	1
135 135A	417T4315-1 417T4315-3		DELETED ..SPRING-TORSION	B-M,P ,R-AF ,AX	1
-135B	417T4315-6		..SPRING-TORSION	BJ,BL ,BM,B W,BY, BZ,CG ,CK	1
-135C	417T4315-3		..SPRING-TORSION (PRE SB 767-35-0027)	AG,A L-AS, AU-AW	1
-135D	417T4315-6		..SPRING-TORSION (POST SB 767-35-0027)	BC-BE ,BG,B P,BQ, BS-BU	1

35-21-51

ILLUSTRATED PARTS LIST

01.1

Page 1067

Mar 01/00

FIG. & ITEM	PART NO.	AIRLINE PART NUMBER	NOMENCLATURE 1234567	EFF CODE	QTY PER ASSY
01-140	417T4315-2		DELETED		
140A	417T4315-4		..SPRING-TORSION	B-M,P ,R-AF ,AX	1
-140B	417T4315-5		..SPRING-TORSION	BJ,BL ,BM,B W,BY, BZ,CG ,CK	1
-140C	417T4315-4		..SPRING-TORSION (PRE SB 767-35-0027)	AG-AL ,AS,A U-AW	1
-140D	417T4315-5		..SPRING-TORSION (POST SB 767-35-0027)	BC-BE ,BG,B P,BQ, BS-BU	1
145	417T4250-3		..CLAMP ASSY	B-M,P ,R-AG ,AL-A S,A U-AX BC-BE ,BG,B J,BL, BM,BP ,BQ BS-BU ,BW,B Y,BZ, CG,CK	1

35-21-51

ILLUSTRATED PARTS LIST

01.1 Page 1068

Mar 01/00

BOEING
 COMPONENT
 MAINTENANCE MANUAL

FIG. & ITEM	PART NO.	AIRLINE PART NUMBER	NOMENCLATURE	EFF CODE	QTY PER ASSY
			1234567		
01- -146 150	417T4250-1 417T4250-4		DELETED ..CLAMP ASSY	B-M,P ,R-AG ,AL-A S,A U-AX BC-BE ,BG,B J,BL, BM,BP ,BQ BS-BU ,BW,B Y,BZ, CG,CK	1
-151 155	417T4250-2 NAS514P1032-6		DELETED ATTACHING PARTS ..SCREW	B-M,P ,R-AG ,AL-A S,A U-AX BC-BE ,BG,B J,BL, BM,BP ,BQ BS-BU ,BW,B Y,BZ, CG,CK	4
			-----*		

35-21-51

ILLUSTRATED PARTS LIST
 01.1 Page 1069
 Mar 01/00

FIG. & ITEM	PART NO.	AIRLINE PART NUMBER	NOMENCLATURE 1234567	EFF CODE	QTY PER ASSY
01-160	5-64X11-8MDP		...PIN- (V00287) (OPT ITEMS 160A, 160B)	B-M,P ,R-AG ,AL-A S,A U-AX BC-BE ,BG,B J,BL, BM,BP ,BQ BS-BU ,BW,B Y,BZ, CG,CK	2
-160A	MS39086-26		...PIN-SPR (OPT ITEMS 160, 160B)	B-M,P ,R-AG ,AL-A S,A U-AX BC-BE ,BG,B J,BL, BM,BP ,BQ BS-BU ,BW,B Y,BZ, CG,CK	2
-160B	CZ0781125		...PIN-SPR (VONHT3) (OPT ITEMS 160, 160A)	B-M,P ,R-AG ,AL-A S,A U-AX BC-BE ,BG,B J,BL, BM,BP ,BQ BS-BU ,BW,B Y,BZ, CG,CK	2

35-21-51

ILLUSTRATED PARTS LIST

01.1 Page 1070

Mar 01/00

BOEING
 COMPONENT
 MAINTENANCE MANUAL

FIG. & ITEM	PART NO.	AIRLINE PART NUMBER	NOMENCLATURE	EFF CODE	QTY PER ASSY
01-165	417T4250-7		1234567 ...STRAP	B-M,P ,R-AG ,AL-A S,A U-AX BC-BE ,BG,B J,BL, BM,BP ,BQ BS-BU ,BW,B Y,BZ, CG,CK	1
170	BACR15BB3AD2		...RIVET	B-M,P ,R-AG ,AL-A S,A U-AX BC-BE ,BG,B J,BL, BM,BP ,BQ BS-BU ,BW,B Y,BZ, CG,CK	2
175	30L20-2AA		...LATCH- (V29372)	B-M,P ,R-AG ,AL-A S,A U-AX BC-BE ,BG,B J,BL, BM,BP ,BQ BS-BU ,BW,B Y,BZ, CG,CK	1

35-21-51

ILLUSTRATED PARTS LIST

01.1

Page 1071

Mar 01/00

FIG. & ITEM	PART NO.	AIRLINE PART NUMBER	NOMENCLATURE 1234567	EFF CODE	QTY PER ASSY
01-180	AN415-4		...PIN-LOCK	B-M,P ,R-AG ,AL-A S,A U-AX BC-BE ,BG,B J,BL, BM,BP ,BQ BS-BU ,BW,B Y,BZ, CG,CK	1
-180A 185	23 417T4250-6		DELETED ...COVER-STRAP	B-M,P ,R-AG ,AL-A S,A U-AX BC-BE ,BG,B J,BL, BM,BP ,BQ BS-BU ,BW,B Y,BZ, CG,CK	1

35-21-51

ILLUSTRATED PARTS LIST

01.1 Page 1072

Mar 01/00

BOEING
 COMPONENT
 MAINTENANCE MANUAL

FIG. & ITEM	PART NO.	AIRLINE PART NUMBER	NOMENCLATURE 1234567	EFF CODE	QTY PER ASSY
01-190	417T4255-1		...BLOCK ASSY	B-M,P ,R-AG ,AL-A S,A U-AX BC-BE ,BG,B J,BL, BM,BP ,BQ BS-BU ,BW,B Y,BZ, CG,CK	1
195	MS21207C4-4	SCREW	B-M,P ,R-AG ,AL-A S,A U-AX BC-BE ,BG,B J,BL, BM,BP ,BQ BS-BU ,BW,B Y,BZ, CG,CK	1
200	417T4255-4	COVER-STRAP	B-M,P ,R-AG ,AL-A S,A U-AX BC-BE ,BG,B J,BL, BM,BP ,BQ BS-BU ,BW,B Y,BZ, CG,CK	1

35-21-51

ILLUSTRATED PARTS LIST

01.1

Page 1073

Mar 01/00

FIG. & ITEM	PART NO.	AIRLINE PART NUMBER	NOMENCLATURE 1234567	EFF CODE	QTY PER ASSY
01-205	417T4255-3	STRAP	B-M,P ,R-AG ,AL-A S,A U-AX BC-BE ,BG,B J,BL, BM,BP ,BQ BS-BU ,BW,B Y,BZ, CG,CK	1
210	6041-3BR0375	INSERT- (V01556)	B-M,P ,R-AG ,AL-A S,A U-AX BC-BE ,BG,B J,BL, BM,BP ,BQ BS-BU ,BW,B Y,BZ, CG,CK	2
215	417T4255-2	BLOCK	B-M,P ,R-AG ,AL-A S,A U-AX BC-BE ,BG,B J,BL, BM,BP ,BQ BS-BU ,BW,B Y,BZ, CG,CK	1

35-21-51

ILLUSTRATED PARTS LIST

01.1

Page 1074

Mar 01/00

BOEING
 COMPONENT
 MAINTENANCE MANUAL

FIG. & ITEM	PART NO.	AIRLINE PART NUMBER	NOMENCLATURE 1234567	EFF CODE	QTY PER ASSY
01- 220 220A	S417T401-25 117003-12		DELETED ..GENERATOR-2 PERSON (V16827) (SPEC S417T401-25)	B-M,P ,R-Y, AU-AX ,BC-B E,BG BJ,BL ,BM,B P,BQ, BS-BU ,BW BY,BZ ,CG CK	1
R -220B	E71720-00		..GENERATOR- (VD1379) (SPEC S417T401-43)		1
-221 225	S417T401-22 417T4262-1		DELETED ..CABLE ASSY-RELEASE (LIMITED) (OPT ITEM 225A)	M,P	1
-225A	417T4262-3		..CABLE ASSY-RELEASE (LIMITED) (OPT ITEM 225)	M,P	1
-225B	417T4262-1		..CABLE ASSY-RELEASE	B-L, Z-AF	1
-225C	417T4262-3		..CABLE ASSY-RELEASE	R-Y,A G,A L-AS, AU-AX ,BC-B E BG,BJ ,BL,B M,BP, BQ,B S-BU BW,BY ,BZ,C G,CK	1
ATTACHING PARTS					

35-21-51

ILLUSTRATED PARTS LIST
 01.1 Page 1075
 Mar 01/00

FIG. & ITEM	PART NO.	AIRLINE PART NUMBER	NOMENCLATURE 1234567	EFF CODE	QTY PER ASSY
01-230	NAS1801-08-6		..SCREW	B-M,P ,R-AG ,AL-A S,A U-AX BC-BE ,BG,B J,BL, BM,BP ,BQ BS-BU ,BW,B Y,BZ, CG,CK	1
235	AN960-8		..WASHER	B-M,P ,R-AG ,AL-A S,A U-AX	1
-235A	NAS1149FN832P		..WASHER	BC-BE ,BG,B J,BL, BM,BP ,BQ	1
R -235B	NAS1149DN832J		..WASHER	BS-BU ,BW,B Y,BZ, CG,CJ	1
			-----*		

35-21-51

ILLUSTRATED PARTS LIST

01.1

Page 1076

Mar 01/00


BOEING
 COMPONENT
 MAINTENANCE MANUAL

FIG. & ITEM	PART NO.	AIRLINE PART NUMBER	NOMENCLATURE 1234567	EFF CODE	QTY PER ASSY
01-240	MS20659-102		... TERMINAL- (OPT ITEM 240A)	B-M,P ,R-AG ,AL-A S,A U-AX BC-BE ,BG,B J,BL, BM,BP ,BQ BS-BU ,BW,B Y,BZ, CG,CK	1
R -240A	A87		... TERMINAL- (V59730) (OPT ITEM 240)	B-M,P ,R-AG ,AL-A S,A U-AX BC-BE ,BG,B J,BL, BM,BP ,BQ BS-BU ,BW,B Y,BZ, CG,CK	1
245	417T4307-1		... PIN- (USED ON ITEMS 225 225B)	B-M,P ,Z-AF	1
-245A	417T4307-2		... PIN- (USED ON ITEMS 225A 225C)	M,P, R-Y,A G,A L-AS, AU-AX BC-BE ,BG,B J,BL, BM,BP ,BQ BS-BU ,BW,B Y,BZ, CG,CK	1

35-21-51

ILLUSTRATED PARTS LIST

01.1

Page 1077

Mar 01/00

FIG. & ITEM	PART NO.	AIRLINE PART NUMBER	NOMENCLATURE 1234567	EFF CODE	QTY PER ASSY
01-250	417T4308-1		...STOP-LANYARD	B-M,P ,R-AG ,AL-A S,A U-AX BC-BE ,BG,B J,BL, BM,BP ,BQ BS-BU ,BW,B Y,BZ, CG,CK	1
255	417T4262-2		...ROPE-WIRE	B-M,P ,R-Y, BC-BE ,BG,B J,BL BM,BP ,BQ,B S-BU, BW,BY ,BZ CG,CK	1
256	NAS1801-04-4		..SCREW	R-Y,B C-BE, BG,BJ ,BL,B M,BP BQ,BS ,BU,B W,BY, BZ,CG ,CK	2

35-21-51

ILLUSTRATED PARTS LIST

01.1 Page 1078

Mar 01/00


BOEING
 COMPONENT
 MAINTENANCE MANUAL

FIG. & ITEM	PART NO.	AIRLINE PART NUMBER	NOMENCLATURE 1234567	EFF CODE	QTY PER ASSY
01- 256J	H10-04BAC		..NUT- (V15653) (SPEC BACN10JC04) (OPT NS202101-40 (V80539)) (OPT RMLH9075-40W (V72962)) (OPT T6S440J (V11815)) (OPT VN303A40 (V92215)) (OPT 96-40 (V80539)) (OPT BRH10A04 (V52828))	R-Y,B C-BE, BG,BJ ,BL,B M,BP BQ,BS ,BU,B W,BY, BZ,CG ,CK	2
256M	BACW10P63AL		..WASHER	BC-BE ,BG,B J,BL, BM,BP ,BQ BS-BU ,BW,B Y,BZ, CG,CK	2
256R 256S	NAS42DD6-45FC NAS42DD6-40FC		DELETED ..SLEEVE	BC-BE ,BG,B J,BL, BM,BP ,BQ BS-BU ,BW,B Y,BZ, CG,CK	2
257 257A	TY903-5 TY525M		DELETED ..CLAMP- (V06383) (OPT ITEMS 257B, 257C)	R-Y	1

35-21-51

ILLUSTRATED PARTS LIST

01.1

Page 1079

Mar 01/00

FIG. & ITEM	PART NO.	AIRLINE PART NUMBER	NOMENCLATURE 1234567	EFF CODE	QTY PER ASSY
01- -257B	PLT4HTL		..STRAP- (V06383) (SPEC BACS38K3) (OPT T012R0 (V53421)) (OPT ITEMS 257A, 257C)	R-Y	1
-257C	TY25M		..STRAP- (V59730) (SPEC STBS38G3) (OPT ITEMS 257A, 257B)	R-Y	1
257J	BACC45FN10-5P		..CONNECTOR	R-T, V-Y,B C,BE, BG,BL ,BQ BU,BY ,CG	1
-257K	BACC45FN12-12P		..CONNECTOR	U,BD, BJ,BM ,BP,B S,BW, BZ CK	1
258	2100-100		..LENS-NO LEGEND WHITE (V91929)	R-U, W-Y,B C-BE, BG,BJ ,BL,B M BP,BS ,BU,B W,BY, BZ,CG ,CK	1
258J	2100-3		..SWITCH-2 POLE ALT (V91929)	R-U, W-Y,B C-BE, BG,BJ ,BL,B M BP,BS ,BU,B W,BY, BZ,CG ,CK	1

35-21-51

ILLUSTRATED PARTS LIST

01.1 Page 1080

Mar 01/00


BOEING
 COMPONENT
 MAINTENANCE MANUAL

FIG. & ITEM	PART NO.	AIRLINE PART NUMBER	NOMENCLATURE 1234567	EFF CODE	QTY PER ASSY
01- 258K	44YY23734		..SWITCH-ROTARY (V81073)	U,V,B D,BJ, BM,BP ,BS,B W,BZ CKBZ	1
259 259C	SST1M DK188F		DELETED ..CLAMP- (V34785)	BC,BE ,BG,B L,BU, BY,CG	1
259J 259K	STBP19H 022-0188		DELETED ..PLATE-MTG (V34785)	R-Y	1
260	NAS603-6		..SCREW	B-M,P ,R-AG ,AL-A S,A U-AX BC-BE ,BG,B J,BL, BM,BP ,BQ BS-BU ,BW,B Y,BZ, CG,CK	1
265	AN960-10L		..WASHER	B-M,P ,R-AG ,AL-A S,A U-AX	1

35-21-51

 ILLUSTRATED PARTS LIST
 01.1 Page 1080A
 Mar 01/00

FIG. & ITEM	PART NO.	AIRLINE PART NUMBER	NOMENCLATURE 1234567	EFF CODE	QTY PER ASSY
01- -265A	NAS1149F0332P		..WASHER	BC-BE ,BG,B J,BL, BM,BP ,BQ	1
R -265B	NAS1149D0332J		..WASHER	BS-BU ,BW,B Y,BZ, CG,CK	1
270	H10-3BAC		..NUT- (V15653) (SPEC BACN10JC3) (OPT NS202101-02 (V80539)) (OPT RMLH9075-3W (V72962)) (OPT T6S1032J (V71087)) (OPT VN303A02 (V92215)) (OPT 96-02 (V80539)) (OPT BRH10A3 (V52828))	B-M,P ,R-AG ,AL-A S,A U-AX BC-BE ,BG,B J,BL, BM,BP ,BQ BS-BU ,BW,B Y,BZ, CG,CK	1
275	BACC10D604		..CLAMP- (OPT ITEM 275A)	B-M,P ,R-AG ,AL-A S,A U-AX	1

35-21-51

 ILLUSTRATED PARTS LIST
 01.1 Page 1080B
 Mar 01/00


BOEING
 COMPONENT
 MAINTENANCE MANUAL

FIG. & ITEM	PART NO.	AIRLINE PART NUMBER	NOMENCLATURE 1234567	EFF CODE	QTY PER ASSY
01- -275A	MS21919DG8		..CLAMP- (OPT ITEM 275)	B-M,P ,R-AG ,AL-A S,A U-AX	1
-275B	MS21919DG6		..CLAMP	BC-BE ,BG,B J,BL, BM,BP ,BQ BS-BU ,BW,B Y,BZ, CG,CK	1
280	417T4205-40		..MASK ASSY-PASS.	B,D-F	2
-280A	417T4205-30		..MASK ASSY-PASS.	C	2
-280B	417T4205-84		..MASK ASSY-PASS.	G-K	2
-280C	417T4205-184		..MASK ASSY-PASS.	L,M,P ,R-Y, AE,AF	2
-280D	417T4205-101		..MASK ASSY-PASS	AG,A L-AS, AU-AX ,BC-B E,BG BJ,BL ,BM,B P,BQ	2
-280E	417T4205-130		..MASK ASSY-PASS	AA,AD	2
-280F	417T4205-140		..MASK ASSY-PASS	Z,AB, AC	2
-280G	S418W001-108		DELETED		
R -280H	289-801-053		..MASK ASSY-PASS (V53655) (S418W001-108)	BS-BU ,BW,B Y,BZ, CG,CK	2

35-21-51

 ILLUSTRATED PARTS LIST
 01.1 Page 1080C
 Mar 01/00

FIG. & ITEM	PART NO.	AIRLINE PART NUMBER	NOMENCLATURE 1234567	EFF CODE	QTY PER ASSY
01-285	417T4205-31		...TUBING	B-M,P ,R-AF	1
-285A	417T4205-12		...TUBING	AG,A L-AS, AU-AX ,BC-B E,BG BJ,BL ,BM,B P,BQ	1
290	417T4205-7		...CLAMP-HEAD STRAP	B-M,P ,R-AG ,AL-A S,A U-AX BC-BE	2
291	417T4205-7		DELETED		
292	417T4205-50		...CLAMP-LANYARD	B,D-M ,P, R-Z,A B,AC, AE,AF	2
293	417T4205-50		...CLAMP-LANYARD	C,AA, AD,AG ,AL-A S,A U-AX BC-BE ,BG,B J,BL, BM,BP ,BQ	1

35-21-51

 ILLUSTRATED PARTS LIST
 01.1 Page 1080D
 Mar 01/00


BOEING
 COMPONENT
 MAINTENANCE MANUAL

FIG. & ITEM	PART NO.	AIRLINE PART NUMBER	NOMENCLATURE 1234567	EFF CODE	QTY PER ASSY
01-					
295	417T4205-26		...RING	B,D-K	1
-295A	417T4205-96		...RING- (OPT ITEM 295B)	B,D-M ,P, R-Z,A B,AC, AE,AF	1
-295B	N0318		...SNAPHOOK- (V82399) (OPT ITEM 295A)	B,D-M ,P, R-Z,A B,AC, AE,AF	1
-295C	417T4205-96		...RING	AA,AD ,AG,A L-AS, AU-AX BC-BE ,BG,B J,BL, BM,BP ,BQ	1
R 296	417T4205-26		...RING	C	1
300	417T4205-47		...LANYARD	B,D-F ,Z,AB ,AC	AR
-300A	417T4205-85		...LANYARD	G-M,P ,R-Y, AE,AF	1
R 301	412T4205-24		...LANYARD	C,AA, AD,AG ,AL-A S,A U-AX BC-BE ,BG,B J,BL, BM,BP ,BQ	AR

35-21-51

ILLUSTRATED PARTS LIST

01.1 Page 1080E

Mar 01/00

FIG. & ITEM	PART NO.	AIRLINE PART NUMBER	NOMENCLATURE 1234567	EFF CODE	QTY PER ASSY
01- 305 305A 310	N0318 318 417T4205-6		DELETED DELETED ...STRAP-HEAD	B-M,P ,R-AG ,AL-A S,A U-AX BC-BE ,BG,B J,BL, BM,BP ,BQ	1
315	417T4205-32		...CLIP-HEAD STRAP	B-M,P ,R-AG ,AL-A S,A U-AX BC-BE ,BG,B J,BL, BM,BP ,BQ	2
320	417T4205-9		...BAG-OXY	B-M,P ,R-AG ,AL-A S,A U-AX BC-BE ,BG,B J,BL, BM,BP ,BQ	1

35-21-51

ILLUSTRATED PARTS LIST

01.1 Page 1080F

Mar 01/00

BOEING
 COMPONENT
 MAINTENANCE MANUAL

FIG. & ITEM	PART NO.	AIRLINE PART NUMBER	NOMENCLATURE 1234567	EFF CODE	QTY PER ASSY
01-325	417T4205-8		...MASK-OXY	B-M,P ,R-AG ,AL-A S,A U-AX BC-BE ,BG,B J,BL, BM,BP ,BQ	1
328	417T4205-34		...EYELET-LANYARD	C,AA, AD,AG ,AL-A S,A U-AX BC-BE ,BG,B J,BL, BM,BP ,BQ	1
330	NAS601-6		..SCREW	B-M,P ,R-AG ,AL-A S,A U-AX BC-BE ,BG,B J,BL, BM,BP ,BQ BS-BU ,BW,B Y,BZ, CG,CK	2

35-21-51

ILLUSTRATED PARTS LIST
 01.1 Page 1080G
 Mar 01/00

FIG. & ITEM	PART NO.	AIRLINE PART NUMBER	NOMENCLATURE 1234567	EFF CODE	QTY PER ASSY
01-335	NAS620-6		..WASHER	B-M,P ,R-AG ,AL-A S,A U-AX BC-BE ,BG,B J,BL, BM,BP ,BQ BS-BU ,BW,B Y,BZ, CG,CK	2
340	AN960-6		..WASHER	B-M,P ,R-AG ,AL-A S,A U-AX	2
-340A	NAS1149FN632P		..WASHER	BC-BE ,BG,B J,BL, BM,BP ,BQ	2
R -340B	NAS1149DN632J		..WASHER	BS-BU ,BW,B Y,BZ, CG,CK	2
343	AN960-6L		..WASHER	B-M,P ,R-AG ,AL-A S,A U-AX	AR

35-21-51

 ILLUSTRATED PARTS LIST
 01.1 Page 1080H
 Mar 01/00


BOEING
 COMPONENT
 MAINTENANCE MANUAL

FIG. & ITEM	PART NO.	AIRLINE PART NUMBER	NOMENCLATURE 1234567	EFF CODE	QTY PER ASSY
01-345	H10-06BAC		..NUT- (V15653) (SPEC BACN10JC06) (OPT RMLH9075-62W (V72962)) (OPT T6S632J (V11815)) (OPT VN303A62 (V92215)) (OPT 96-62 (V80539)) (OPT BRH10A62 (OPT BRH10A06 (V52828))	B-M,P ,R-AG ,AL-A S,A U-AX BC-BE ,BG,B J,BL, BM,BP ,BQ BS-BU ,BW,B Y,BZ, CG,CJ	2
350	S417T402-3		DELETED		
350A	S417T402-4		DELETED		
350B	78175-3		..ACTUATOR-DOOR LATCH (V09790) (SPEC S417T402-3) (OPT ITEM 350C)	B-M,P ,R-AG ,AL-A S,A U-AX	1
-350C	78175-4		..ACTUATOR-DOOR LATCH (V09790) (SPEC S417T402-4) (OPT ITEM 350B)	B-M,P ,R-AG ,AL-A P,AR, AS,AX	1
R -350D	78175-4		..ACTUATOR-DOOR LATCH (V09790) (SPEC S417T402-4)	AQ,AU ,AV,A W,B C-BG, BJ,BL BM,BP ,BQ,B S-BU, BW,BY ,BZ CG,CJ	1

35-21-51

ILLUSTRATED PARTS LIST

01.1 Page 1080I

Mar 01/00

FIG. & ITEM	PART NO.	AIRLINE PART NUMBER	NOMENCLATURE	EFF CODE	QTY PER ASSY
01-355	417T4267-1		1234567 ..LATCH ASSY	B-M,P ,R-AG ,AL-A S,A U-AX BC-BE ,BG,B J,BL, BM,BP ,BQ BS-BU ,BW,B Y,BZ, CG,CK	1
360	NAS1801-08-6		ATTACHING PARTS ..SCREW	B-M,P ,R-AG ,AL-A S,A U-AX BC-BE ,BG,B J,BL, BM,BP ,BQ BS-BU ,BW,B Y,BZ, CG,CK	3

35-21-51

 ILLUSTRATED PARTS LIST
 01.1 Page 1080J
 Mar 01/00

BOEING
 COMPONENT
 MAINTENANCE MANUAL

FIG. & ITEM	PART NO.	AIRLINE PART NUMBER	NOMENCLATURE	EFF CODE	QTY PER ASSY
			1234567		
01-365	AN960-8		..WASHER	B-M,P ,R-AG ,AL-A S,A U-AX	3
-365A	NAS1149FN832P		..WASHER	BC-BE ,BG,B J,BL, BM,BP ,BQ	3
R -365B	NAS1149DN832J		..WASHER	BS-BU ,BW,B Y,BZ, CG,CJ	3
			-----*-----		
370	MS51861-4C		...SCREW	B-M,P ,R-AG ,AL-A S,A U-AX BC-BE ,BG,B J,BL, BM,BP ,BQ BS-BU ,BW,B Y,BZ, CG,CK	1

35-21-51

ILLUSTRATED PARTS LIST
 01.1 Page 1080K
 Mar 01/00

FIG. & ITEM	PART NO.	AIRLINE PART NUMBER	NOMENCLATURE 1234567	EFF CODE	QTY PER ASSY
01-375	417T4314-1		...BLOCK-EXTENSION	B-M,P ,R-AG ,AL-A S,A U-AX BC-BE ,BG,B J,BL, BM,BP ,BQ BS-BU ,BW,B Y,BZ, CG,CK	1
380	417T4267-2		...LATCH ASSY	B-M,P ,R-AG ,AL-A S,A U-AX BC-BE ,BG,B J,BL, BM,BP ,BQ BS-BU ,BW,B Y,BZ, CG,CK	1
R 383	BACG20ZA0200		..GROMMET	CG,CK	1
385	MS35489-4X		..GROMMET- (OPT ITEM 385A)	B-M,P ,R-AG ,AL-A S,A U-AX	2
R -385A	Z2318		..GROMMET- (V76385) (OPT ITEM 385)	B-M,P ,R-AG ,AL-A S,A U-AX	2

35-21-51

 ILLUSTRATED PARTS LIST
 01.1 Page 1080L
 Mar 01/00


BOEING
 COMPONENT
 MAINTENANCE MANUAL

FIG. & ITEM	PART NO.	AIRLINE PART NUMBER	NOMENCLATURE 1234567	EFF CODE	QTY PER ASSY
01- -385B	MS35489-4X		..GROMMET	BC-BE ,BG,B J,BL, BM,BP ,BQ BS-BU ,BW,B Y,BZ, CG,CK	2
390	C0909A08-02PN		..CONNECTOR- (V13556) (SPEC BACC63BN8-2P) (OPT 48-63N8-2P (V02660))	B-L, Z-AF, BC-BE ,BG,B J,BL BM,BP ,BQ,B S-BU, BW,BY ,BZ CG,CK	1
-390A	C0909A08-02PN		..CONNECTOR- (V13556) (SPEC BACC63BN8-2P) (OPT 48-63N8-2P (V02660)) (OPT ITEM 390B)	M,P, R-Y,A G,A L-AS, AU-AX	1
-390B	BACC45FT8-2P		..CONNECTOR- (OPT ITEM 390A)	M,P, R-Y,A G,A L-AS, AU-AX	1

35-21-51

ILLUSTRATED PARTS LIST

01.1 Page 1080M

Mar 01/00

FIG. & ITEM	PART NO.	AIRLINE PART NUMBER	NOMENCLATURE 1234567	EFF CODE	QTY PER ASSY
01-395	BACC10GH08		..CLAMP	B-M,P ,R-AG ,AL-A S,A U-AX BC-BE ,BG,B J,BL, BM,BP ,BQ BS-BU ,BW,B Y,BZ, CG,CK	1
400 400A	TY25M TY25M		DELETED ..STRAP- (V59730) (SPEC STBS38G3) (OPT ITEMS 400B, 400C)	B-M,P ,R-AG ,AL-A S,A U-AX	1
-400B	TY525M		..CLAMP- (V06383) (OPT ITEMS 400A, 400C)	B-M,P ,R-AG ,AL-A S,A U-AX	1
-400C	PLT4HTL		..STRAP- (V06383) (SPEC BACS38K3) (OPT T012R0 (V53421)) (OPT ITEMS 400A, 400B)	B-M,P ,R-AG ,AL-A S,A U-AX	1

35-21-51

 ILLUSTRATED PARTS LIST
 01.1 Page 1080N
 Mar 01/00


BOEING
 COMPONENT
 MAINTENANCE MANUAL

FIG. & ITEM	PART NO.	AIRLINE PART NUMBER	NOMENCLATURE 1234567	EFF CODE	QTY PER ASSY
01-					
-400D	MS21919DG6		DELETED		
-400E	TY25M		DELETED		
-400F	T05R0		..STRAP- (V53421) (SPEC BACS38K1) (OPT PLT2SM (V06383))	BC-BE ,BG,B J,BL, BM,BP ,BQ BS-BU ,BW,B Y,BZ, CG,CK	1
401	RD409-101		..KNOB- (V15084)	U,V,B D,BJ, BM,BP ,BQ,B S,BW BZ,CK	1
-403	417T4268-2		DELETED		
403A	417T4268-8		..FACEPLATE-DECORATIVE	B,C,E ,H,K, P	1
-403B	417T4268-13		..FACEPLATE-DECORATIVE	D,F,G ,J,M	1
-403C	417T4268-28		..FACEPLATE-DECORATIVE	L	1
-403D	417T4268-61		..FACEPLATE-DECORATIVE	R-T, W-Y	1
-403E	417T4268-64		..FACEPLATE-DECORATIVE	U	1
-403F	417T4268-65		..FACEPLATE-DECORATIVE	V	1
405	417T4266-1		DELETED		
405A	417T4266-3		..FACEPLATE ASSY	B-H, Z-AF	1
-405B	417T4266-4		..FACEPLATE ASSY- (PRE SB 767-35-0023)	J-M,P	1
-405C	417T4266-7		..FACEPLATE ASSY- (PRE SB 767-35-0023)	R-T, W-Y	1
-405D	417T4266-8		..FACEPLATE ASSY- (PRE SB 767-35-0023)	U	1
-405E	417T4266-9		..FACEPLATE ASSY- (PRE SB 767-35-0023)	V	1

35-21-51

 ILLUSTRATED PARTS LIST
 01.1 Page 10800
 Mar 01/00

FIG. & ITEM	PART NO.	AIRLINE PART NUMBER	NOMENCLATURE 1234567	EFF CODE	QTY PER ASSY
01-					
-405F	417T4266-13		..FACEPLATE ASSY	AX	1
-405G	417T4266-14		..FACEPLATE ASSY- (PRE SB 767-35-0027)	AN,AW	1
-405H	417T4266-15		..FACEPLATE ASSY- (PRE SB 767-35-0027)	AP	1
-405J	417T4266-10		..FACEPLATE ASSY- (PRE SB 767-35-0027)	AQ	1
-405K	417T4266-10		..FACEPLATE ASSY- (POST SB 767-35-0023)	J-M,P	1
-405L	417T4266-13		..FACEPLATE ASSY- (POST SB 767-35-0023)	R-T,W ,Y	1
-405M	417T4266-14		..FACEPLATE ASSY- (POST SB 767-35-0023)	U	1
-405N	417T4266-15		..FACEPLATE ASSY- (POST SB 767-35-0023)	V	1
-405P	417T4266-41		..FACEPLATE ASSY	BL,BY ,CG	1
-405Q	417T4266-42		..FACEPLATE ASSY	BJ,BM ,BW,B Z	1
-405R	417T4266-44		..FACEPLATE ASSY- (POST SB 767-35-0027)	BT	1
-405S	417T4266-13		..FACEPLATE ASSY- (PRE SB 767-35-0027)	AG,AL ,AM,A R,AS, AU,AV	1
-405T	417T4266-41		..FACEPLATE ASSY- (POST SB 767-35-0027)	BC,BE ,BG,B U	1
-405U	417T4266-42		..FACEPLATE ASSY- (POST SB 767-35-0027)	BD,BP ,BS	1
-405V	417T4266-43		..FACEPLATE ASSY- (POST SB 767-35-0027)	BQ	1
R -405W	417T4266-45		..FACEPLATE ASSY	CK	1

35-21-51

 ILLUSTRATED PARTS LIST
 01.1 Page 1080P
 Mar 01/00


BOEING
 COMPONENT
 MAINTENANCE MANUAL

FIG. & ITEM	PART NO.	AIRLINE PART NUMBER	NOMENCLATURE 1234567	EFF CODE	QTY PER ASSY
01- -406 410	417T4266-2 BACR15CE4D		DELETED ...RIVET- (SIZE DETERMINE ON INST)	B-M,P ,R-AG ,AL-A S,A U-AX BC-BE ,BG,B J,BL, BM,BP ,BQ BS-BU ,BW,B Y,BZ, CG,CK	2
415	417T4312-4		...SPACER-BLOCK	B-M,P ,R-AG ,AL-A S,A U-AX BC-BE ,BG,B J,BL, BM,BP ,BQ BS-BU ,BW,B Y,BZ, CG,CK	1

35-21-51

ILLUSTRATED PARTS LIST

01.1 Page 1080Q

Mar 01/00

FIG. & ITEM	PART NO.	AIRLINE PART NUMBER	NOMENCLATURE 1234567	EFF CODE	QTY PER ASSY
01-417	BACR15CE4D		...RIVET- (SIZE DETERMINE ON INST)	R-Y,A N,AP, AW,B C-BE, BG,BJ BL,BM ,BP,B Q,BS, BU,BW ,BY BZ,CG	2
418	417U3104-27		...BRACKET-DISCONNECT	R-T, V-Y,A G,AL, AM,AP ,AR AS,AU ,AV,A X,BC, BE,BG ,BL BQ,BU ,BY,C G	1
-418A	417U3104-29		...BRACKET-DISCONNECT	U,AN, AW,BD ,BJ,B M,BP, BS BW,BZ	1

35-21-51

 ILLUSTRATED PARTS LIST
 01.1 Page 1080R
 Mar 01/00


BOEING
 COMPONENT
 MAINTENANCE MANUAL

FIG. & ITEM	PART NO.	AIRLINE PART NUMBER	NOMENCLATURE 1234567	EFF CODE	QTY PER ASSY
01-420	BACR15BA3AD		...RIVET- (SIZE DETERMINE ON INST)	B-M,P ,R-AG ,AL-A S,A U-AX BC-BE ,BG,B J,BL, BM,BP ,BQ BS-BU ,BW,B Y,BZ, CG,CK	6
425	417T4312-6		...BRACKET	B-M,P ,R-AG ,AL-A S,A U-AX BC-BE ,BG,B J,BL, BM,BP ,BQ BS-BU ,BW,B Y,BZ, CG,CK	1
430	BACR15BB3AD		...RIVET- (SIZE DETERMINE ON INST)	B-M,P ,R-AG ,AL-A S,A U-AX BC-BE ,BG,B J,BL, BM,BP ,BQ BS-BU ,BW,B Y,BZ, CG,CK	4
435	417T4312-8		...STOP-DOOR	B-M,P ,R-AF ,AX	1

35-21-51

ILLUSTRATED PARTS LIST

01.1 Page 1080S

Mar 01/00

FIG. & ITEM	PART NO.	AIRLINE PART NUMBER	NOMENCLATURE 1234567	EFF CODE	QTY PER ASSY
01- -435A	417T4312-8		...STOP-D00R (PRE SB 767-35-0027)	AG,A L-AS, AU-AW	1
-435B	417T4312-18		...STOP-D00R (POST SB 767-35-0027)	BC-BE ,BG,B J,BL, BM,BP ,BQ BS-BU ,BW,B Y,BZ, CG,CK	1
440	417T4312-5		...BRACKET	B-M,P ,R-AG ,AL-A S,A U-AX BC-BE ,BG,B J,BL, BM,BP ,BQ BS-BU ,BW,B Y,BZ, CG,CK	1
445	BACR15BB4AD		...RIVET- (SIZE DETERMINE ON INST)	B-M,P ,R-AG ,AL-A S,A U-AX BC-BE ,BG,B J,BL, BM,BP ,BQ BS-BU ,BW,B Y,BZ, CG,CK	6

35-21-51

ILLUSTRATED PARTS LIST

01.1 Page 1080T

Mar 01/00


BOEING
 COMPONENT
 MAINTENANCE MANUAL

FIG. & ITEM	PART NO.	AIRLINE PART NUMBER	NOMENCLATURE 1234567	EFF CODE	QTY PER ASSY
01-450	417T4312-7		...BRACKET	B-M,P ,R-AG ,AL-A S,A U-AX BC-BE ,BG,B J,BL, BM,BP ,BQ BS-BU ,BW,B Y,BZ, CG,CK	1
455	417T4312-3		...BRACKET- (OPT ITEM 455A)	B-M,P ,R-AG ,AL-A S,A U-AX	1
-455A	417T4312-10		...BRACKET- (OPT ITEM 455)	B-M,P ,R-AG ,AL-A S,A U-AX	1
-455B	417T4312-18		DELETED		
-455C	417T4312-10		...BRACKET	BC-BE ,BG,B J,BL, BM,BP ,BQ BS-BU ,BW,B Y,BZ, CG,CK	1

35-21-51

 ILLUSTRATED PARTS LIST
 01.1 Page 1080U
 Mar 01/00

FIG. & ITEM	PART NO.	AIRLINE PART NUMBER	NOMENCLATURE 1234567	EFF CODE	QTY PER ASSY
01-460	BACR15CE4D		...RIVET- (SIZE DETERMINE ON INST)	B-M,P ,R-AG ,AL-A S,A U-AX BG,BJ ,BL,B M,BT, BU,BW ,BY BZ,CG ,CK	9
465	417T4312-2		DELETED		
465A	417T4312-11		...SHIELD-MASK	B-H, Z-AF	1
-465B	417T4312-13		...SHIELD-MASK	J-M,P ,R-Y, AG,A L-AS, AU-AX BC-BE ,BG,B J,BL, BM,BP ,BQ BS-BU ,BW,B Y,BZ, CG,CK	1

35-21-51

 ILLUSTRATED PARTS LIST
 01.1 Page 1080V
 Mar 01/00


BOEING
 COMPONENT
 MAINTENANCE MANUAL

FIG. & ITEM	PART NO.	AIRLINE PART NUMBER	NOMENCLATURE 1234567	EFF CODE	QTY PER ASSY
01-470	417T4312-1		...PANEL-SIDE	B-M,P ,R-AG ,AL-A S,A U-AX BC-BE ,BG,B J,BL, BM,BP ,BQ BS-BU ,BW,B Y,BZ, CG,CK	1
-471	417T4312-9		DELETED		
475	417T4311-1		DELETED		
475A	417T4311-2		...PANEL-FACEPLATE	B-M,P ,Z-AF ,AQ,B F,BT	1
-475B	417T4311-6		...PANEL-FACEPLATE	R-T, W-Y,A G,AL, AM,AR ,AS AU,AV ,AX,B C,BE, BG,BL ,BU BY,CG	1
-475C	417T4311-6		DELETED		
-475D	417T4311-7		...PANEL-FACEPLATE	U,AN, AW,BD ,BJ,B M,BP, BS,BW BZ,CK	1
-475E	417T4311-8		...PANEL-FACEPLATE	V,AP, BQ	1

35-21-51

ILLUSTRATED PARTS LIST

01.1 Page 1080W

Mar 01/00

FIG. & ITEM	PART NO.	AIRLINE PART NUMBER	NOMENCLATURE 1234567	EFF CODE	QTY PER ASSY
01-477	BAC27TPPS4955		..MARKER-DOOR HEAT SWITCH (OPT ITEM 477B)	U,AN, BF,BT	1
R 477A	BAC27TPPS4957		..MARKER-DOOR HEAT SWITCH (OPT ITEM 477C)	V,AP	1
-477B	417T4268-64		..FACEPLATE-DOOR HEAT SWITCH (OPT ITEM 477)	U,AN	1
-477C	417T4268-65		..FACEPLATE-DOOR HEAT SWITCH (OPT ITEM 477A)	V,AP	1
R 477D	BAC27TPPS5969		..MARKER	AU,AV, BC	1
R 477E	BAC27TPPS5971		..MARKER	AW,BD	1
R 477F	BAC27TPPS6326		..MARKER	BE,CG	1
R 478	BAC27TPPS6355		..MARKER	BJ,BW	1
R 479	BAC27TPPS6357		..MARKER	BG,BU	1
R 479J	BAC27TPPS6353		..MARKER	BL,BY	1
R 479M	BAC27TPPS6354		..MARKER	BM,BZ, CK	1
R 479N	BAC27TPPS6360		..MARKER	BF,BT	1
R 479P	BAC27TPPS6327		..MARKER	BP,BS	1
R 479Q	BAC27TPPS4957		..MARKER	BQ	1
480	AN960PD8		.WASHER	B-M,P, R-AG, AL-A, S,A, U-AX	4
-480A	NAS1149DN832J		.WASHER	BC-BG, BP,B, Q,B, S-BU	4
485	417T4312-12		.STRAP	B-M,P, R-AG, AL-A, S,A, U-AX, BC-BE, BG,B, J,BL, BM,BP, BQ, BS-BU, BW,B, Y,BZ, CG,CK	1

35-21-51

 ILLUSTRATED PARTS LIST
 01.1 Page 1080X
 Mar 01/00


BOEING
 COMPONENT
 MAINTENANCE MANUAL

FIG. & ITEM	PART NO.	AIRLINE PART NUMBER	NOMENCLATURE 1234567	EFF CODE	QTY PER ASSY
01-490	417T4313-1		.BLOCK ASSY	B-D, Z-AB	4
495	NAS1394-08L		..INSERT	B-D, Z-AB	1
500	417T4313-2		..BLOCK	B-D, Z-AB	1
505	417T6012-37		.DECAL-SLIP-IN (WORK LT)	S,Y,A L,AS, AU	1
-505A	417T6012-39		.DECAL-SLIP-IN (WORK LT)	T,X,A M,AR, AV	1
-505B	417T6012-7		DELETED		
510	BAC27TPPS4955		DELETED		
-510A	BAC27TPPS4957		DELETED		
-510B	417T4268-64		DELETED		
-510C	417T4268-65		DELETED		

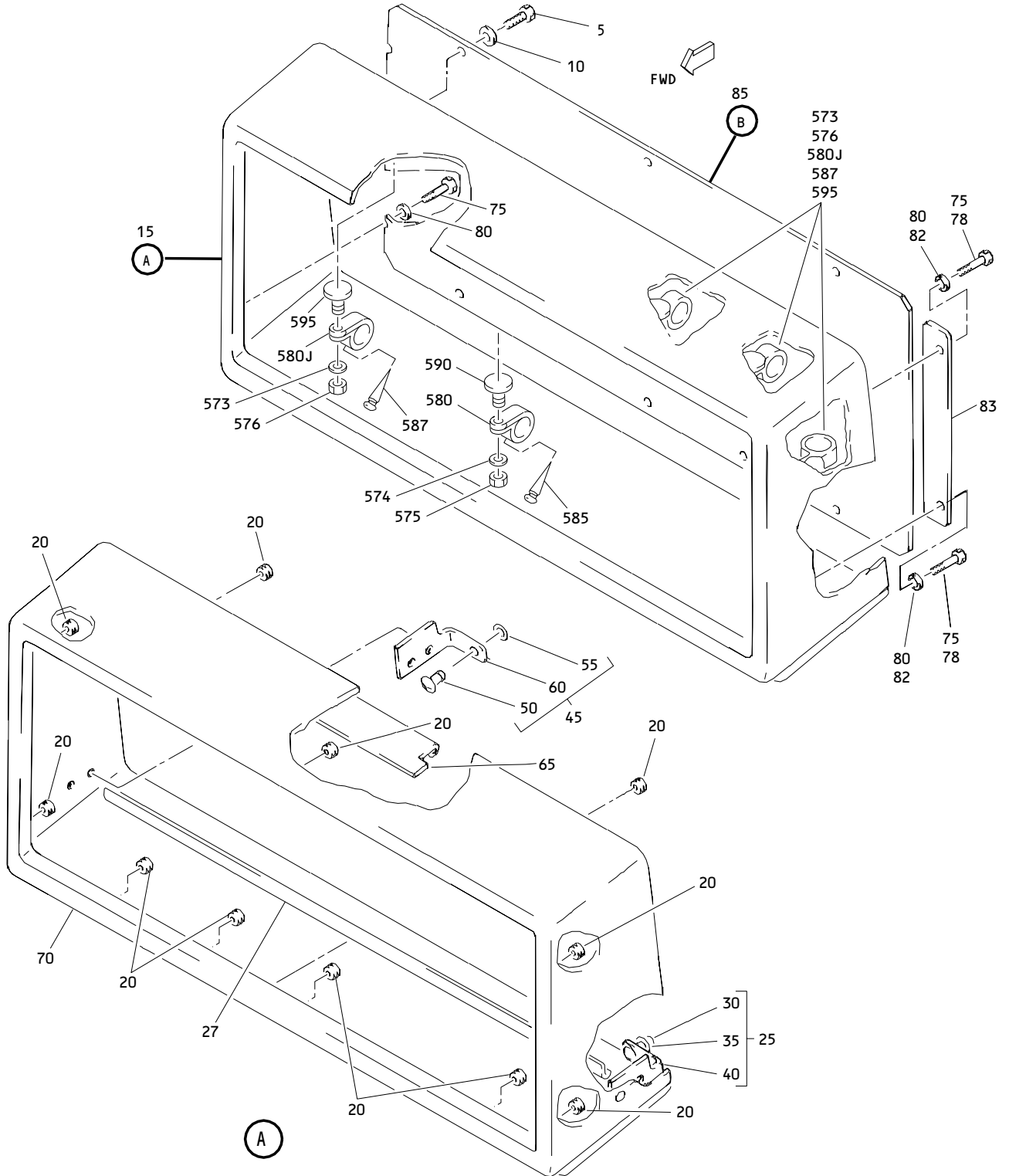
- Item Not Illustrated

35-21-51

ILLUSTRATED PARTS LIST

01.1 Page 1080Y

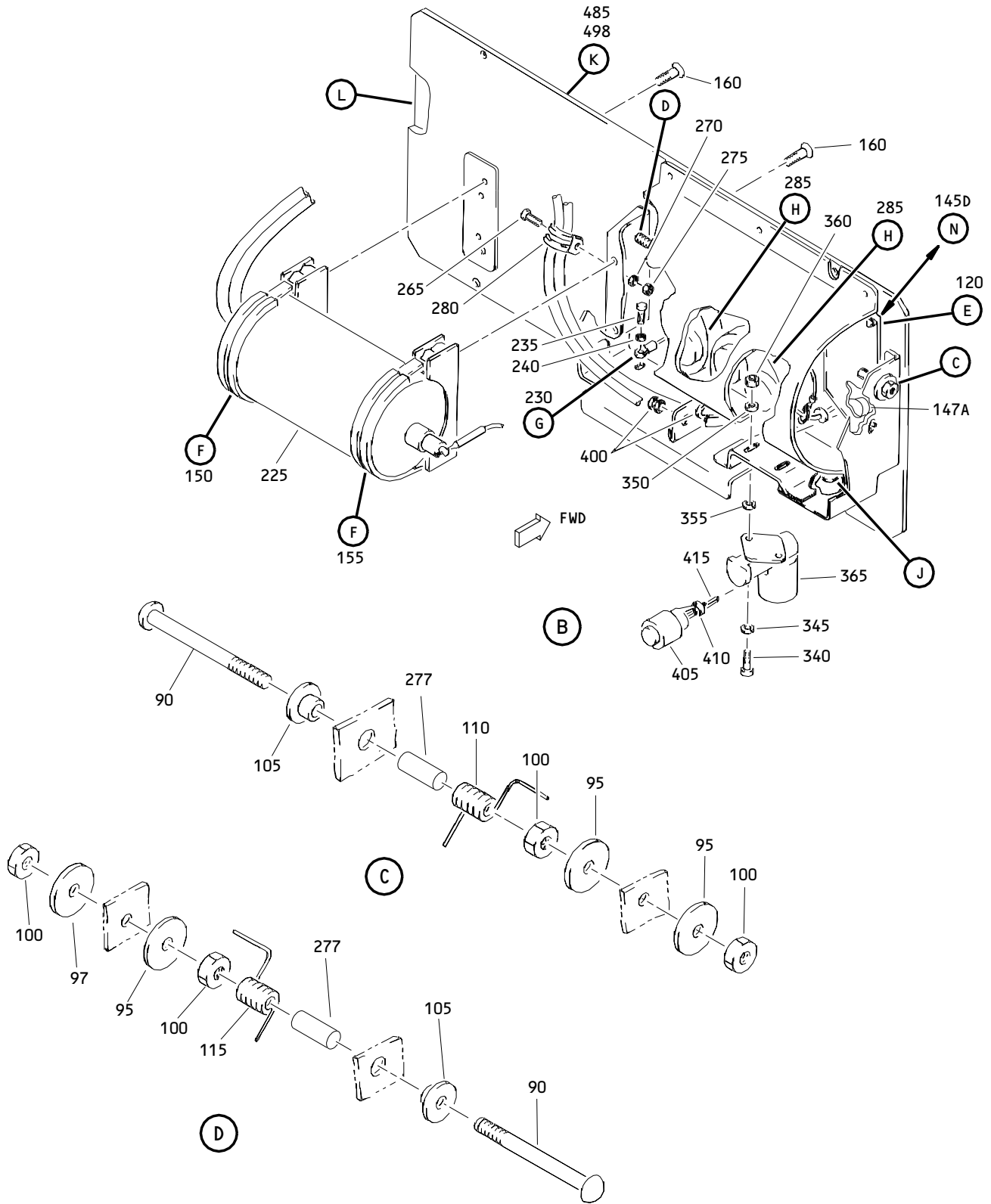
Mar 01/00



Flight Attendant's Panel No. 3 Oxygen Module Assembly
 Figure 2 (Sheet 1)

35-21-51

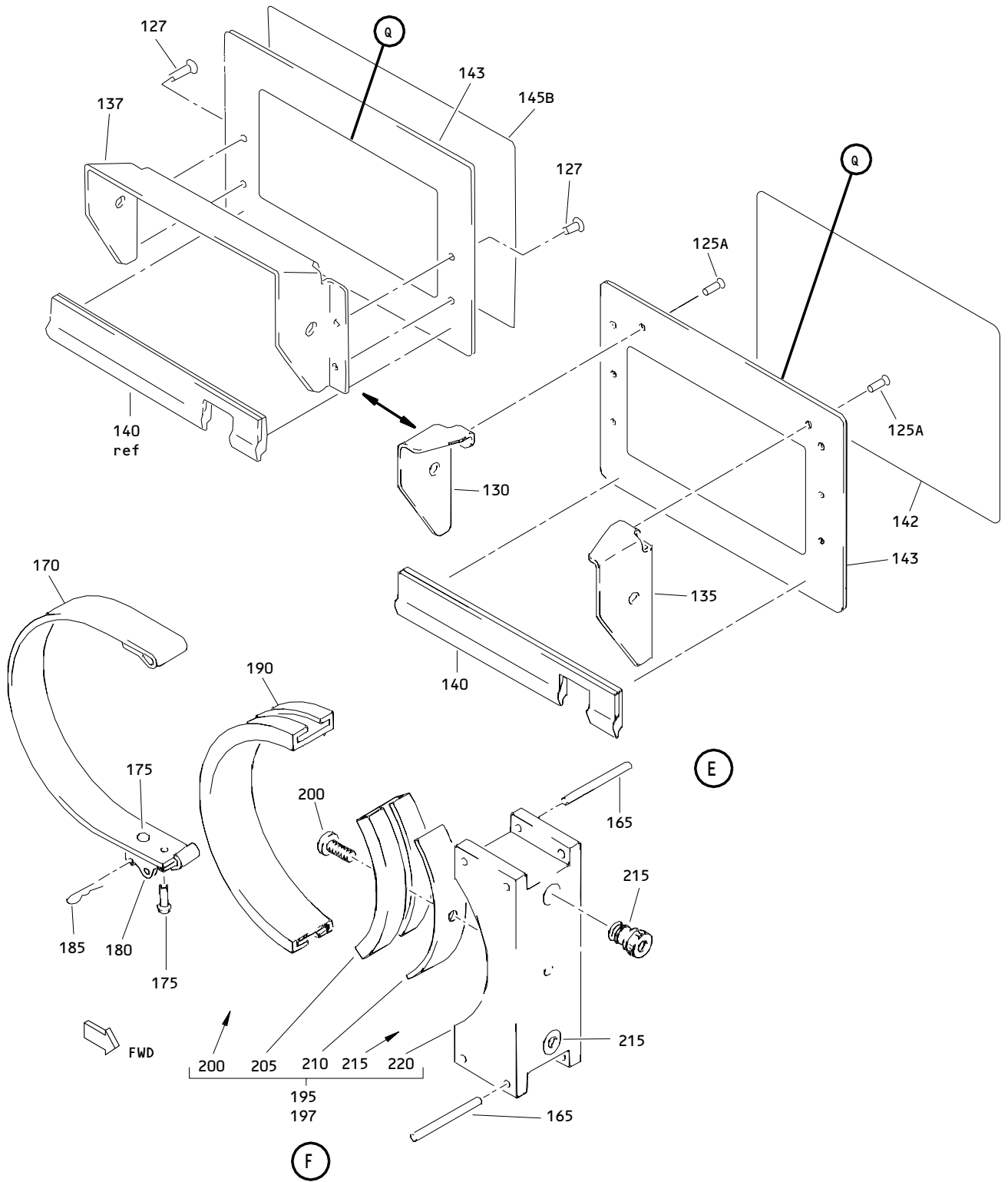
ILLUSTRATED PARTS LIST
 01.1 Page 1081
 Mar 01/00



Flight Attendant's Panel No. 3 Oxygen Module Assembly
 Figure 2 (Sheet 2)

35-21-51

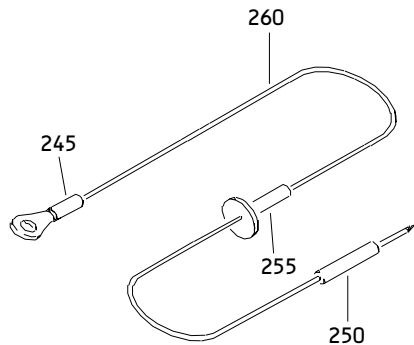
ILLUSTRATED PARTS LIST
 01.1 Page 1082
 Mar 01/00



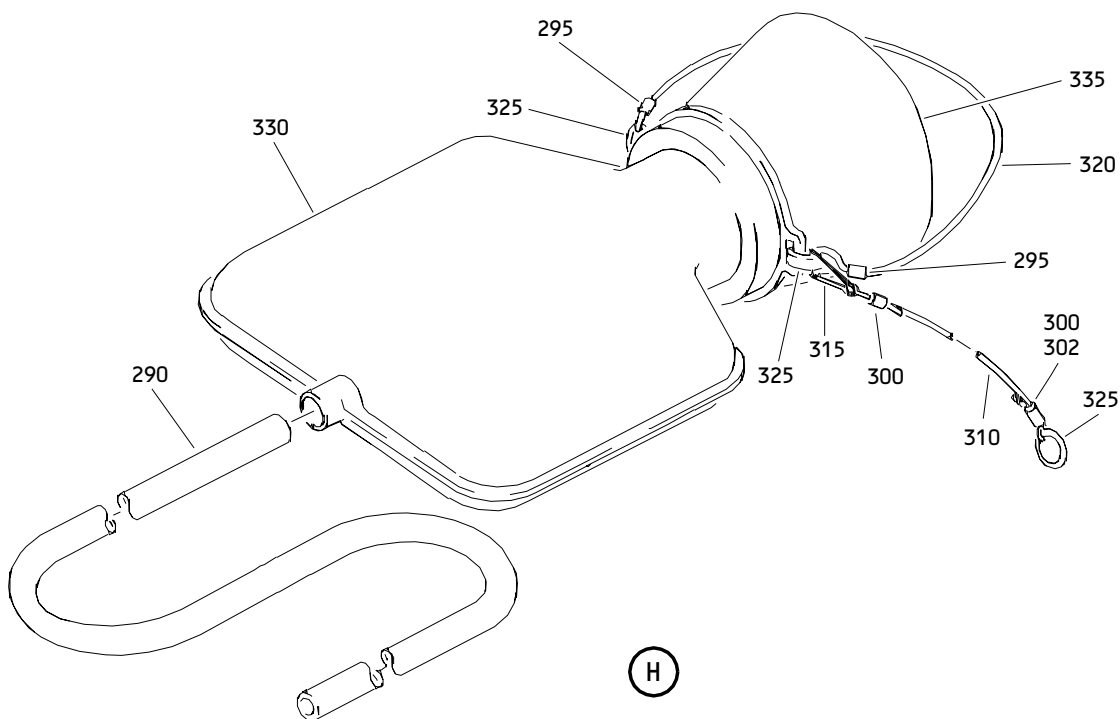
Flight Attendant'S Panel No. 3 Oxygen Module Assembly
 Figure 2 (Sheet 3)

35-21-51

ILLUSTRATED PARTS LIST
 01.1 Page 1082A
 Mar 01/00



(G)

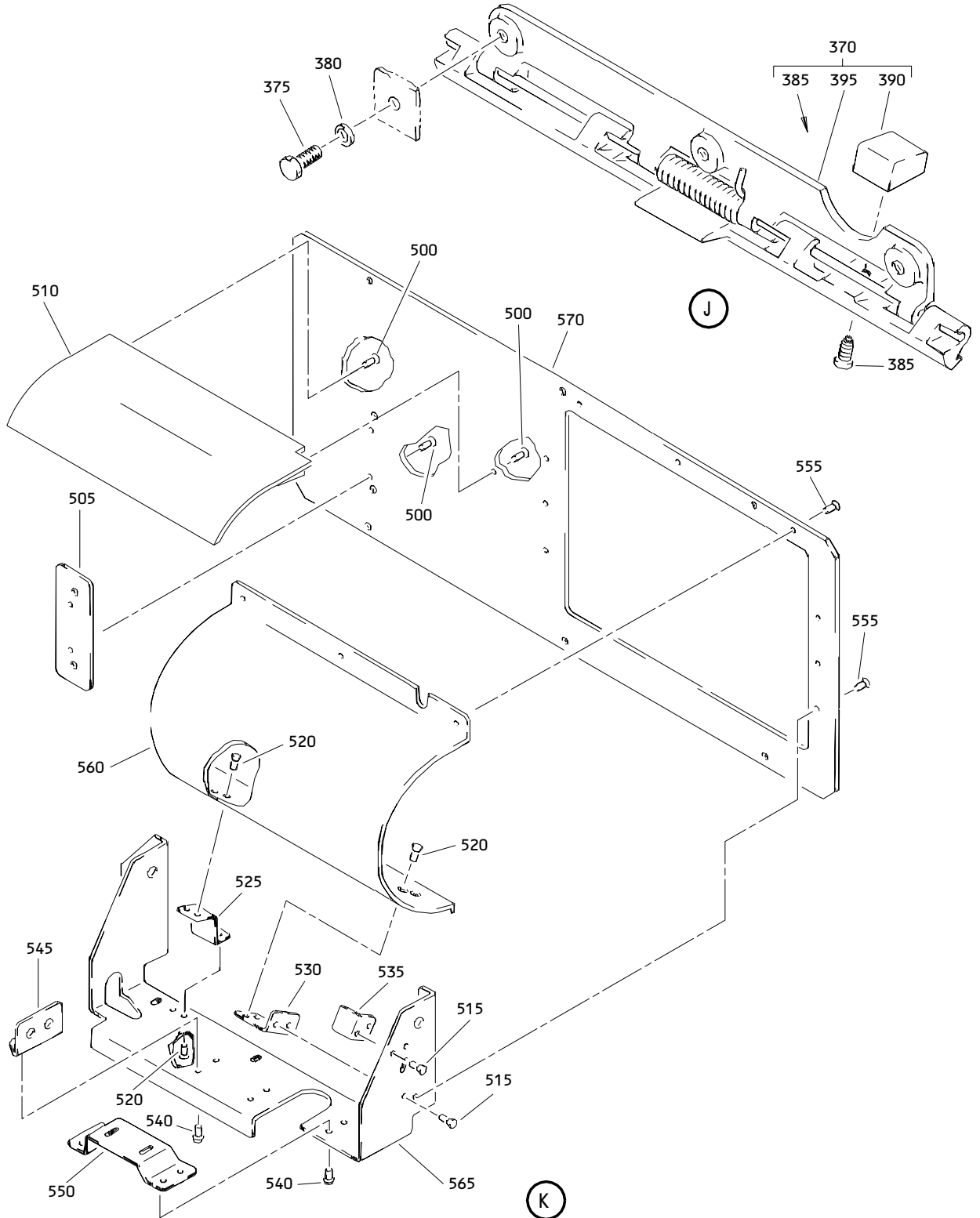


(H)

Flight Attendant's Panel No. 3 Oxygen Module Assembly
 Figure 2 (Sheet 4)

35-21-51

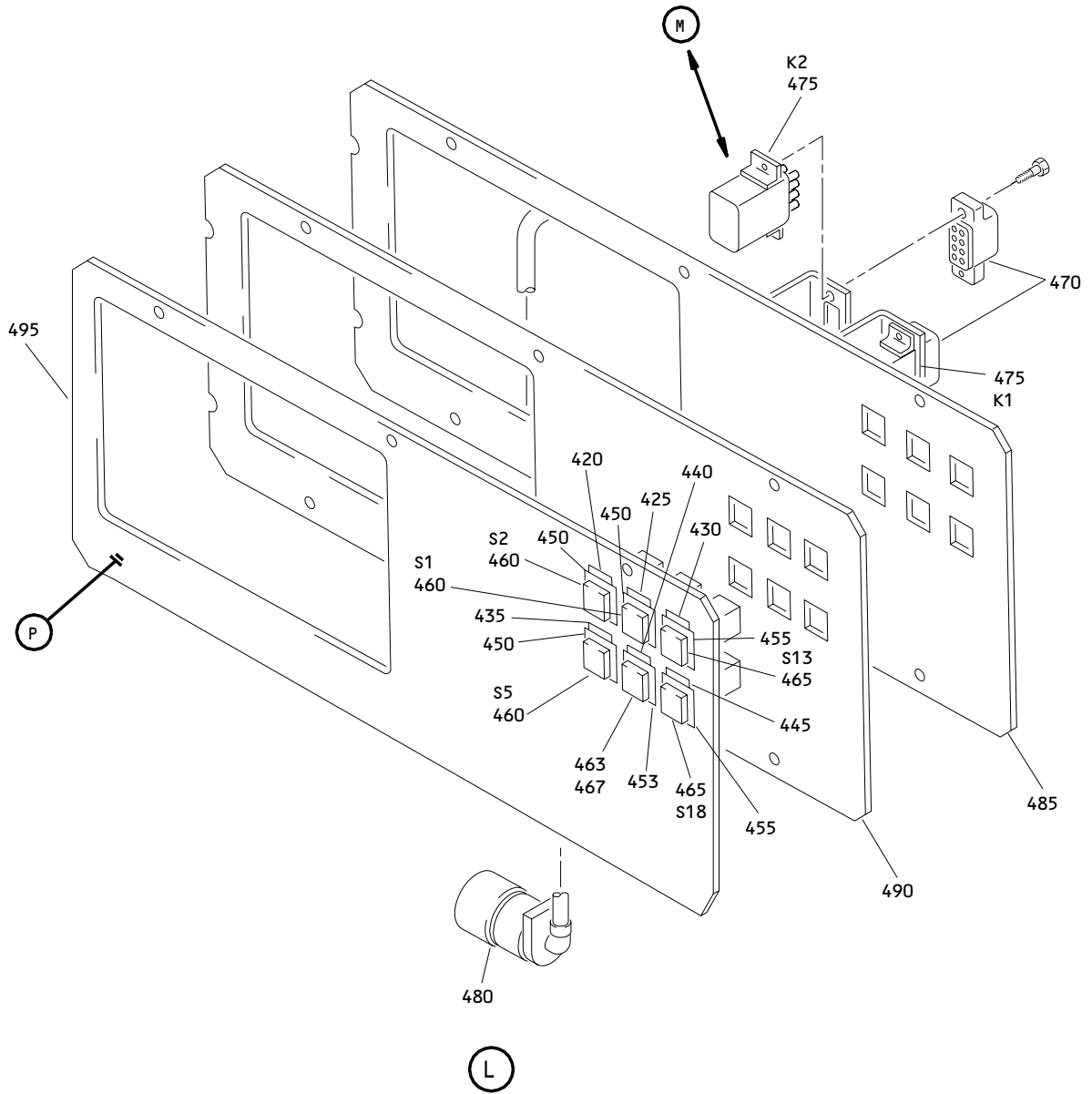
ILLUSTRATED PARTS LIST
 01.1 Page 1082B
 Mar 01/00



Flight Attendant'S Panel No. 3 Oxygen Module Assembly
Figure 2 (Sheet 5)

35-21-51

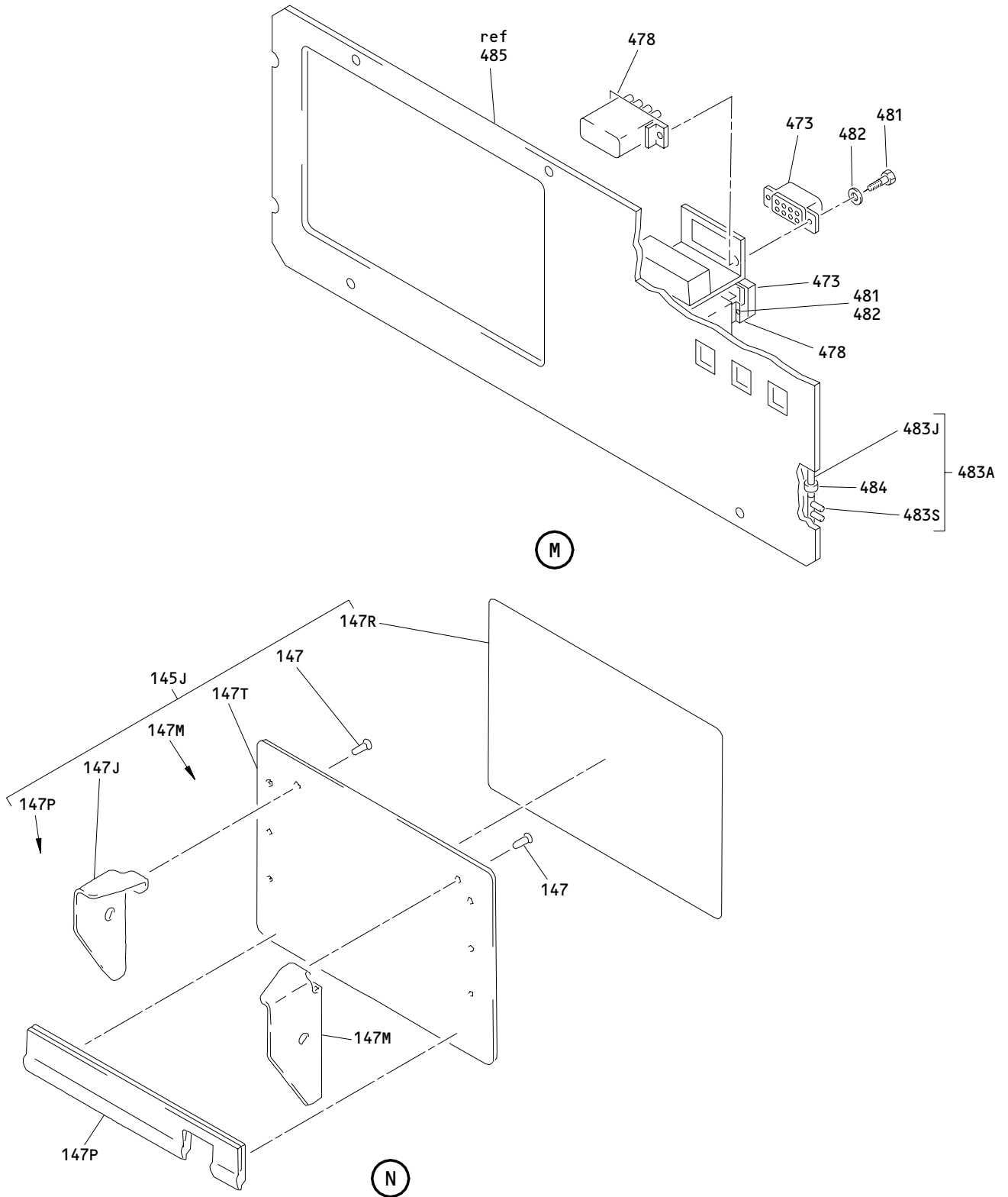
ILLUSTRATED PARTS LIST
01.1 Page 1082C
Mar 01/00



Flight Attendant'S Panel No. 3 Oxygen Module Assembly
 Figure 2 (Sheet 6)

35-21-51

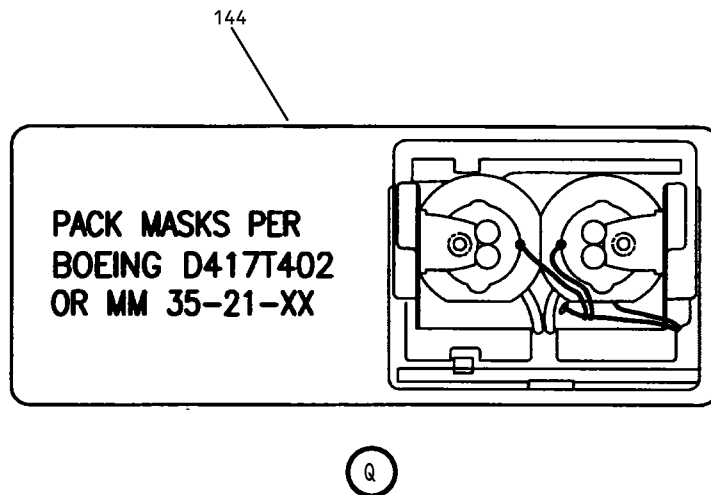
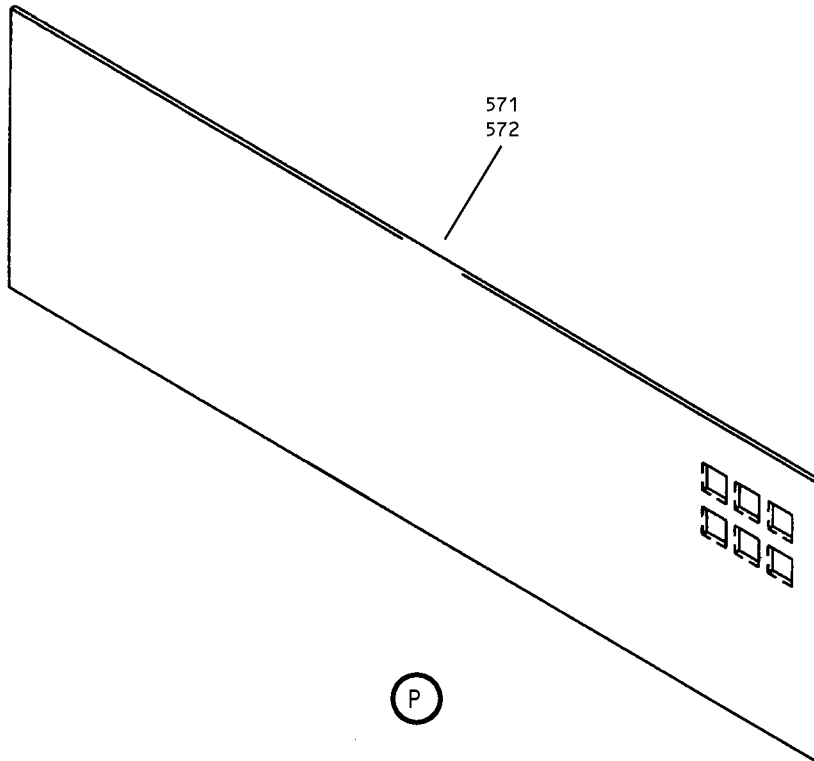
ILLUSTRATED PARTS LIST
 01.1 Page 1082D
 Mar 01/00



Flight Attendant'S Panel No. 3 Oxygen Module Assembly
Figure 2 (Sheet 7)

35-21-51

ILLUSTRATED PARTS LIST
01.1 Page 1082E
Mar 01/00



Flight Attendant'S Panel No. 3 Oxygen Module Assembly
Figure 2 (Sheet 8)

35-21-51

ILLUSTRATED PARTS LIST
01.1 Page 1082F
Mar 01/00


BOEING
 COMPONENT
 MAINTENANCE MANUAL

FIG. & ITEM	PART NO.	AIRLINE PART NUMBER	NOMENCLATURE 1234567	EFF CODE	QTY PER ASSY
02- -1	417T4206-213		MODULE ASSY-ATTENDANTS PNL FLIGHT ATTENDANT NO. 3 OXY	N	RF
-1A	417T4206-214		MODULE ASSY-ATTENDANTS PNL FLIGHT ATTENDANT NO. 3 OXY (POST SB 767-35-0023)	Q	RF
-1B	417T4206-215		MODULE ASSY-ATTENDANTS PNL FLIGHT ATTENDANT NO. 3 OXY (POST SB 767-35-0023)	A	RF
-1C	417T4206-243		MODULE ASSY-ATTENDANTS PNL FLIGHT ATTENDANT NO. 3 OXY (PRE SB 767-35-0027)	AH	RF
-1D	417T4206-224		MODULE ASSY-ATTENDANTS PNL FLIGHT ATTENDANT NO. 3 OXY (PRE SB 767-35-0027)	AJ	RF
-1E	417T4206-225		MODULE ASSY-ATTENDANTS PNL FLIGHT ATTENDANT NO. 3 OXY (PRE SB 767-35-0027)	AK	RF
-1F	417T4206-325		MODULE ASSY-ATTENDANTS PNL FLIGHT ATTENDANT NO. 3 OXY (PRE SB 767-35-0027)	AT	RF
-1G	417T4206-234		MODULE ASSY-ATTENDANTS PNL FLIGHT ATTENDANT NO. 3 OXY (PRE SB 767-35-0027)	AY	RF
-1H	417T4206-420		MODULE ASSY-ATTENDANTS PNL FLIGHT ATTENDANT NO. 3 OXY (POST SB 767-35-0027)	AZ	RF
-1J	417T4206-421		MODULE ASSY-ATTENDANTS PNL FLIGHT ATTENDANT NO. 3 OXY (POST SB 767-35-0027)	BA	RF
-1K	417T4206-401		MODULE ASSY-ATTENDANTS PNL FLIGHT ATTENDANT NO. 3 (POST SB 767-35-0027)	BB	RF
-1L	417T4206-411		MODULE ASSY-ATTENDANTS PNL FLIGHT ATTENDANT NO. 3 OXY	BH	RF

35-21-51

 ILLUSTRATED PARTS LIST
 01.1 Page 1082G
 Mar 01/00

FIG. & ITEM	PART NO.	AIRLINE PART NUMBER	NOMENCLATURE 1234567	EFF CODE	QTY PER ASSY
02- -1M	417T4206-413		MODULE ASSY-ATTENDANTS PNL FLIGHT ATTENDANT NO. 3 OXY	BK	RF
-1N	417T4206-405		MODULE ASSY-ATTENDANTS PNL FLIGHT ATTENDANT NO. 3 OXY (POST SB 767-35-0027)	BN	RF
-1P	417T4206-410		MODULE ASSY-ATTENDANTS PNL FLIGHT ATTENDANT NO. 3 OXY (POST SB 767-35-0027)	BR	RF
R -1Q	417T4206-441		MODULE ASSY-ATTENDANTS PNL FLIGHT ATTENDANT NO. 3 OXY	BV	RF
R -1R	417T4206-443		MODULE ASSY-ATTENDANTS PNL FLIGHT ATTENDANT NO. 3 OXY	BX	RF
R -1S	417T4206-450		MODULE ASSY-ATTENDANTS PNL FLIGHT ATTENDANT NO. 3 OXY	CA	RF
R -1T	417T4206-451		MODULE ASSY-ATTENDANTS PNL FLIGHT ATTENDANT NO. 3 OXY	CB	RF
R -1U	417T4206-453		MODULE ASSY-ATTENDANTS PNL FLIGHT ATTENDANT NO. 3 OXY	CC	RF
R -1V	417T4206-435		MODULE ASSY-FLIGHT ATTENDANT PNL NO. 3 OXY	CD	RF
R -1W	417T4206-454		MODULE ASSY-FLIGHT ATTENDANT PNL NO. 3 OXY	CE	RF
R -1X	417T4206-603		MODULE ASSY-FLIGHT ATTENDANT PNL NO. 3 OXY	CJ	RF
5	NAS1801-08-4		.SCREW	A,N,Q ,AH-A K,AT, AY-BB ,BH BK,BN ,BR,B V,BX, CA-CE ,CJ	7

35-21-51

 ILLUSTRATED PARTS LIST
 01.1 Page 1082H
 Mar 01/00


BOEING
 COMPONENT
 MAINTENANCE MANUAL

FIG. & ITEM	PART NO.	AIRLINE PART NUMBER	NOMENCLATURE 1234567	EFF CODE	QTY PER ASSY
02-7	NAS1801-08-4		. SCREW	BB,BK ,BR,B V,BX, CA-CE ,CJ	2
10	AN960JD8		. WASHER	A,N,Q ,AH-A K,AT	7
-10A	NAS1149DN832J		. WASHER	BH,BN ,BV,B X,C A-CC	7
-12	NAS1149DN832J		. WASHER	AY-BB ,BH,B K,BR, BV,BX CA-CE ,CJ	9
15	417T6007-10		. SHROUD ASSY	A,N,A H,AK, BN,BR	1
-15A	417T6007-15		. SHROUD ASSY	Q,AJ, AY-BA ,CB	1
-15B	417T6007-21		. SHROUD ASSY	AT,BB	1
-15C	417T6007-20		. SHROUD ASSY	BH,BV	1
-15D	417T6007-26		. SHROUD ASSY	BK,BX	1
-15E	417T6007-28		. SHROUD ASSY	AZ,CA ,CC,C D	1

35-21-51

 ILLUSTRATED PARTS LIST
 01.1 Page 1082I
 Mar 01/00

FIG. & ITEM	PART NO.	AIRLINE PART NUMBER	NOMENCLATURE 1234567	EFF CODE	QTY PER ASSY
R 02-					
R -15F	417T6007-30		.SHROUD ASSY	CJ	1
R -15G	417T6007-35		.SHROUD ASSY	CE	1
20	NAS1394-08		..INSERT- (OPT ITEMS 20A, 20B, 20C, 20D)	A,N,Q ,AH-A ,K,AT, ,AY-BB ,BH ,BK,BN ,BR,B ,V,BX, ,CA-CE ,CJ	11
-20A	TNC2C0164		..INSERT- (V29372) (OPT ITEMS 20, 20B, 20C, 20D)	A,N,Q ,AH-A ,K,AT, ,AY-BB ,BH ,BK,BN ,BR,B ,V,BX, ,CA-CE ,CJ	11
-20B	1185-2CN0164		..INSERT- (V26014) (OPT ITEMS 20, 20A, 20C, 20D)	A,N,Q ,AH-A ,K,AT, ,AY-BB ,BH ,BK,BN ,BR,B ,V,BX, ,CA-CE ,CJ	11

35-21-51

ILLUSTRATED PARTS LIST

01.1 Page 1082J

Mar 01/00


BOEING
 COMPONENT
 MAINTENANCE MANUAL

FIG. & ITEM	PART NO.	AIRLINE PART NUMBER	NOMENCLATURE 1234567	EFF CODE	QTY PER ASSY
R 02- -20C	KN0832JMXSZ		..INSERT- (V29372) (OPT ITEMS 20, 20A, 20B, 20D)	A,N,Q ,AH-A K,AT, AY-BB ,BH BK,BN ,BR,B V,BX, CA-CE ,CJ	11
R -20D	MS51830A104		..INSERT- (OPT ITEMS 20, 20A, 20B, 20C)	A,N,Q ,AH-A K,AT, AY-BB ,BH BK,BN ,BR,B V,BX, CA-CE ,CJ	11
R 23	417T6014-14		..STIFFENER	A,N,Q ,AH-A K,AT, AY-BB ,BH BK,BN ,BR,B V,BX, CA-CE ,CJ	1
25	417T6005-4		..BRACKET ASSY-MTG	A,N,A H,AK, AT,BB ,BH,B K,BN BR,BV ,BX,C E,CJ	1

35-21-51

ILLUSTRATED PARTS LIST

01.1 Page 1082K

Mar 01/00

FIG. & ITEM	PART NO.	AIRLINE PART NUMBER	NOMENCLATURE 1234567	EFF CODE	QTY PER ASSY
02- 27 30	417T6014-14 BACS21AP80R		DELETED ...STUD- (OPT ITEM 30A)	A,N,A H,AK, AT,BA ,BH,B K,BN BR,BV ,BX,C E,CJ	1
-30A	82-99-341-08		...STUD- (V94222) (SPEC BACS21AP80RP) (OPT ITEM 30)	A,N,A H,AK, AT,BB ,BH,B K,BN BR,BV ,BX,C E,CJ	1
35	BACR12AG2C		...RING	A,N,A H,AK, AT,BB ,BH,B K,BN BR,BV ,BX,C E,CJ	1
40	417T6014-6		...BRACKET	A,N,A H,AK, AT,BB ,BH,B K,BN BR,BV ,BX,C E,CJ	1
45	417T6005-2		..BRACKET ASSY-MTG	A,N,A H,AK, AT,BB ,BH,B K,BN BR,BV ,BX,C E,CJ	1

35-21-51

 ILLUSTRATED PARTS LIST
 01.1 Page 1082L
 Mar 01/00

BOEING
 COMPONENT
 MAINTENANCE MANUAL

FIG. & ITEM	PART NO.	AIRLINE PART NUMBER	NOMENCLATURE 1234567	EFF CODE	QTY PER ASSY
02-50	BACS21AP80R		...STUD- (OPT ITEM 50A)	A,N,A H,AK, AT,BB ,BH,B K,BN BR,BV ,BX,C E,CJ	1
-50A	82-99-341-08		...STUD- (V94222) (SPEC BACS21AP80RP) (OPT ITEM 50)	A,N,A H,AK, AT,BB ,BH,B K,BN BR,BV ,BX,C E,CJ	1
55	BACR12AG2C		...RING	A,N,A H,AK, AT,BB ,BH,B K,BN BR,BV ,BX,C E,CJ	1
60	417T6014-3		...BRACKET	A,N,A H,AK, AT,BB ,BH,B K,BN BR,BV ,BX,C E,CJ	1

35-21-51

ILLUSTRATED PARTS LIST
 01.1 Page 1082M
 Mar 01/00

FIG. & ITEM	PART NO.	AIRLINE PART NUMBER	NOMENCLATURE 1234567	EFF CODE	QTY PER ASSY
02-65	417T6007-4		..HINGE- (ALT FROM H1002S1-5WI (V83014))	A,N,Q ,AH-A K,AT, AY-BB ,BH BK,BN ,BR,B V,BX, CA-CE ,CJ	1
70	417T6007-11		..SHROUD	A,N,Q ,AH,A J,AK, AY-BA ,BN BR,CA ,CB	1
-70A	417T6007-23		..SHROUD	AT,BB	1
-70B	417T6007-19		..SHROUD	BH,BV	1
-70C	417T6007-27		..SHROUD	BK,BX	1
R -70D	417T6007-29		..SHROUD	AZ,CA ,CC,C D	1
R -70E	417T6007-31		..SHROUD	CJ	1
R -70F	417T6007-33		..SHROUD	CE	1
75	NAS1801-08-5		.SCREW	A,N,Q ,AH	4
78	NAS1801-08-5		.SCREW	AJ,AK ,AT,A Y-BB, BH,BK ,BN BV,BW ,CA-C E,CJ	2

35-21-51

ILLUSTRATED PARTS LIST

01.1 Page 1082N

Mar 01/00


BOEING
 COMPONENT
 MAINTENANCE MANUAL

FIG. & ITEM	PART NO.	AIRLINE PART NUMBER	NOMENCLATURE 1234567	EFF CODE	QTY PER ASSY
02-80	AN960JD8		.WASHER	A,N,Q ,AH	4
82	AN960JD8		.WASHER	AJ,AK ,AT	2
82A	NAS1149DN832J		.WASHER	BB,BH ,BK,B N,BR, BV,BX CA-CE ,CJ	2
83	417T4312-12		.STRAP	A,N,Q ,AH-A K,AT, AY-BB ,BH BK,BN ,BR,B V,BX, CA-CE ,CJ	1
85	417T4268-18		.PANEL ASSY	N	1
-85A	417T4268-58		.PANEL ASSY	Q	1
-85B	417T4268-59		.PANEL ASSY	A	1
-85C	417T4268-78		.PANEL ASSY- (PRE SB 767-35-0027)	AH	1
-85D	417T4268-67		.PANEL ASSY- (PRE SB 767-35-0027)	AJ	1
-85E	417T4268-68		.PANEL ASSY- (PRE SB 767-35-0027)	AK	1
-85F	417T4268-88		.PANEL ASSY- (PRE SB 767-35-0027)	AT	1
-85G	417T4268-97		.PANEL ASSY- (PRE SB 767-35-0027)	AY	1

35-21-51

 ILLUSTRATED PARTS LIST
 01.1 Page 10820
 Mar 01/00

FIG. & ITEM	PART NO.	AIRLINE PART NUMBER	NOMENCLATURE 1234567	EFF CODE	QTY PER ASSY
02- -85H	417T4268-102		.PANEL ASSY- (POST SB 767-35-0027)	AZ	1
-85J	417T4268-103		.PANEL ASSY- (POST SB 767-35-0027)	BA	1
-85K	417T4268-120		.PANEL ASSY	BK	1
-85L	417T4268-130		.PANEL ASSY	BH	1
-85M	417T4268-120		.PANEL ASSY- (POST SB 767-35-0027)	BB	1
-85N	417T4268-124		.PANEL ASSY- (POST SB 767-35-0027)	BN	1
-85P	417T4268-128		.PANEL ASSY- (POST SB 767-35-0027)	BR	1
R -85Q	417T4268-150		.PANEL ASSY	BV	1
R -85R	417T4268-140		.PANEL ASSY	BX	1
R -85S	417T4268-162		.PANEL ASSY	CA	1
R -85T	417T4268-143		.PANEL ASSY	CB,CC	1
R -85U	417T4268-144		.PANEL ASSY	CD	1
R -85V	417T4268-166		.PANEL ASSY	CE	1
R -85W	417T4268-203		.PANEL ASSY	CJ	1
90	NAS428-3-13		..BOLT	A,N,Q ,AH-A K,AT, AY	2
-90A	BACS12FA3K24		..SCREW	AZ-BB ,BH,B K,BN, BR,BV ,BX CA-CC	2
R -90B	BACS12FA3K26		..SCREW	CD,CE ,CJ	2
95	MS25440-3		..WASHER	A,N,Q ,AH-A K,AT, AY-BB ,BH BK,BN ,BR,B V,BX, CA-CC	2
R -95A	BACW10P63AL		..WASHER	CD,CE ,CJ	2

35-21-51

ILLUSTRATED PARTS LIST

01.1 Page 1082P

Mar 01/00


BOEING
 COMPONENT
 MAINTENANCE MANUAL

FIG. & ITEM	PART NO.	AIRLINE PART NUMBER	NOMENCLATURE 1234567	EFF CODE	QTY PER ASSY
02-97	MS25440-3		..WASHER	A,N,Q ,AH-A K,AT, AY,CD ,CE CJE	2
-97A	BACW10P63AL		..WASHER	AZ-BB ,BH,B K,BN, BR,BV ,BX CA-CC	2
100	H10-3BAC		..NUT- (V15653) (SPEC BACN10JC3) (OPT NS202101-02 (V80539)) (OPT RMLH9075-3W (V72962)) (OPT T6S1032J (V71087)) (OPT VN303A02 (V92215)) (OPT 96-02 (V80539)) (OPT BRH10A3 (V52828))	A,N,Q ,AH-A K,AT, AY-BB ,BH BK,BN ,BR,B V,BX, CA-CE ,CJ	4
105	69B51616-1		..BUSHING	A,N,Q ,AH-A K,AT, AY-BB ,BH BK,BN ,BR,B V,BX, CA-CE ,CJ	2

35-21-51

ILLUSTRATED PARTS LIST

01.1 Page 1082Q

Mar 01/00

FIG. & ITEM	PART NO.	AIRLINE PART NUMBER	NOMENCLATURE 1234567	EFF CODE	QTY PER ASSY
02-110	417T4315-3		..SPRING-TORSION	A,N,Q	1
-110A	417T4315-6		..SPRING-TORSION	BH,BK ,BV,B X,CD, CE,CJ	1
-110B	417T4315-3		..SPRING-TORSION (PRE SB 767-35-0027)	AH-AK ,AT,A Y	1
-110C	417T4315-6		..SPRING-TORSION (POST SB 767-35-0027)	AZ-BB ,BN,B R,C A-CC	1
115	417T4315-4		..SPRING-TORSION	A,N,Q	1
-115A	417T4315-5		..SPRING-TORSION	BH,BK ,BV,B X,CD, CE,CJ	1
-115B	417T4315-4		..SPRING-TORSION (PRE SB 767-35-0027)	AH-AK ,AT,A Y	1
-115C	417T4315-5		..SPRING-TORSION (POST SB 767-35-0027)	AZ-BB ,BN,B R,C A-CC	1
120	417T4265-5		..DOOR ASSY (PRE SB 767-35-0023)	A,N,Q	1
-120A	417T4265-23		..DOOR ASSY	BH,BK	1
-120B	417T4265-23		..DOOR ASSY- (POST SB 767-35-0027)	AZ-BB ,BN,B R	1
R -120C	417T4265-25		..DOOR ASSY	BV,BX ,CA-C E,CJ	1

35-21-51

 ILLUSTRATED PARTS LIST
 01.1 Page 1082R
 Mar 01/00

BOEING
 COMPONENT
 MAINTENANCE MANUAL

FIG. & ITEM	PART NO.	AIRLINE PART NUMBER	NOMENCLATURE 1234567	EFF CODE	QTY PER ASSY
02-					
121	417T4265-19		DELETED		
125	BACR15CE4AD		DELETED		
125A	BACR15BCE4AD		...RIVET- (SIZE DETERMINE ON INST)	A,N,Q	8
127	BACR15BCE4AD		...RIVET- (SIZE DETERMINE ON INST)	AZ-BB ,BH,B ,K,BN, ,BR,BV ,BX ,CA-CE ,CJ	4
130	417T4310-1		...BRACKET	A,N,Q	1
135	417T4310-2		...BRACKET	A,N,Q	1
137	417T4310-5		...BRACKET	AZ-BB ,BH,B ,K,BN, ,BR,BV ,BX ,CA-CE ,CJ	1
140	417T4309-1		...STRIKE	A,N,Q ,AZ-B ,B,BH, ,BK,BN ,BR ,BV,BX ,CA-C ,E,CJ	1
142	417T4265-4		...FACEPLATE	A,N,Q	1

35-21-51

ILLUSTRATED PARTS LIST
 01.1 Page 1082S
 Mar 01/00

FIG. & ITEM	PART NO.	AIRLINE PART NUMBER	NOMENCLATURE 1234567	EFF CODE	QTY PER ASSY
R 02-143	417T4310-3		...PANEL	A,N,Q ,AZ-B B,BH, BK,BN ,BR BV,BX ,CA-C E,CJ	1
R 144	BAC27TPPS6394		...MARKER-ALUMINUM FOIL	BV,BX ,CA-C E,CJ	1
145	417T4310-3		DELETED		
145B	BAC27TPPS6304		DELETED		
145D	417T4265-19		..DOOR ASSY- (PRE SB 767-35-0027)	AH-AK ,AY	1
-145E	417T4265-21		..DOOR ASSY- (PRE SB 767-35-0027)	AT	1
-145F	417T4265-19		..DOOR ASSY- (POST SB 767-35-0023)	A,N,Q	1
145J	417T4265-5		...DOOR ASSY	A,N,Q ,AH-A K,AY	1
-145K	417T4265-20		...DOOR ASSY	AT	1
147	BACR15CE4AD	RIVET- (SIZE DETERMINE ON INST)	A,N,Q ,AH-A K,AT, AY	8
147J	417T4310-1	BRACKET	A,N,Q ,AH-A K,AT, AY	1
147M	417T4310-2	BRACKET	A,N,Q ,AH-A K,AT, AY	1
147P	417T4309-1	STRIKE	A,N,Q ,AH-A K,AT, AY	1

35-21-51

ILLUSTRATED PARTS LIST

01.1 Page 1082T

Mar 01/00


BOEING
 COMPONENT
 MAINTENANCE MANUAL

FIG. & ITEM	PART NO.	AIRLINE PART NUMBER	NOMENCLATURE 1234567	EFF CODE	QTY PER ASSY
02-147R	417T4265-4	FACEPLATE	A,N,Q ,AH-A K,AY	1
147T	417T4310-3	PANEL	A,N,Q ,AH-A K,AT, AY	1
147V	3065		..BUMPER- (V13862)	BB,BH ,BK,B N,BR, BV,BX ,CD CE,CJ	1
150	417T4250-3		..CLAMP ASSY	A,N,A H,AK, AT,BB ,BH,B K,BN BR,BV ,BX,C D,CJ	1
-150A	417T4250-1		..CLAMP ASSY	Q,AJ, AY-BA ,CA-C C	1
R -150B	417T4250-23		..CLAMP ASSY	CE	1
155	417T4250-4		..CLAMP ASSY	A,N,A H,AK, AT,BB ,BH,B K,BN BR,BV ,BX,C D,CJ	1

35-21-51

 ILLUSTRATED PARTS LIST
 01.1 Page 1082U
 Mar 01/00

FIG. & ITEM	PART NO.	AIRLINE PART NUMBER	NOMENCLATURE 1234567	EFF CODE	QTY PER ASSY
R 02- -155A	417T4250-23		..CLAMP ASSY	Q,AJ, AY-BA ,CA-C C	1
-155B	417T4250-1		..CLAMP ASSY ATTACHING PARTS	CE	1
160	NAS514P1032-6		..SCREW	A,N,Q ,AH-A K,AT, AY-BB ,BH BK,BN ,BR,B V,BX, CA-CE ,CJ	4
165	5-64X11-8MDP		-----*----- ...PIN- (V00287) (OPT ITEMS 165A, 165B)	A,N,Q ,AH-A K,AT, AY-BB ,BH BK,BN ,BR,B V,BX, CA-CE ,CJ	2
-165A	MS39086-26		...PIN-SPRING (OPT ITEMS 165, 165B)	A,N,Q ,AH-A K,AT, AY-BB ,BH BK,BN ,BR,B V,BX, CA-CE ,CJ	2

35-21-51

ILLUSTRATED PARTS LIST

01.1 Page 1082V

Mar 01/00

BOEING
 COMPONENT
 MAINTENANCE MANUAL

FIG. & ITEM	PART NO.	AIRLINE PART NUMBER	NOMENCLATURE	EFF CODE	QTY PER ASSY
			1234567		
02- -165B	CZ0781125		...PIN-SPRING (VONHT3) (OPT ITEMS 165, 165A)	A,N,Q ,AH-A K,AT, AY-BB ,BH BK,BN ,BR,B V,BX, CA-CE ,CJ	2
170	417T4250-7		...STRAP	A,N,Q ,AH-A K,AT, AY-BB ,BH BK,BN ,BR,B V,BX, CA-CE ,CJ	1
175	BACR15BB3AD2		...RIVET- (SIZE DETERMINE ON INST)	A,N,Q ,AH-A K,AT, AY-BB ,BH BK,BN ,BR,B V,BX, CA-CE ,CJ	2

35-21-51

ILLUSTRATED PARTS LIST
 01.1 Page 1082W
 Mar 01/00

FIG. & ITEM	PART NO.	AIRLINE PART NUMBER	NOMENCLATURE 1234567	EFF CODE	QTY PER ASSY
02-180	30L20-2AA		...LATCH- (V29372)	A,N,Q ,AH-A K,AT, AY-BB ,BH BK,BN ,BR,B V,BX, CA-CE ,CJ	1
185	AN415-4		...PIN-LOCK	A,N,Q ,AH-A K,AT, AY-BB ,BH BK,BN ,BR,B V,BX, CA-CE ,CJ	1
-185A 190	23 417T4250-6		DELETED ...COVER-STRAP	A,N,Q ,AH-A K,AT, AY-BB ,BH BK,BN ,BR,B V,BX, CA-CE ,CJ	1
R 195	417T4255-1		...BLOCK ASSY- (USED ON ITEMS 150, 150A)	A,N,A H,AK, AT,A Y-BB, BH,BK BN,BR ,BV,B X,C A-CD, CJ	1
-195A	417T4255-7		DELETED		

35-21-51

 ILLUSTRATED PARTS LIST
 01.1 Page 1082X
 Mar 01/00


BOEING
 COMPONENT
 MAINTENANCE MANUAL

FIG. & ITEM	PART NO.	AIRLINE PART NUMBER	NOMENCLATURE 1234567	EFF CODE	QTY PER ASSY
R 02-197	417T4255-1		...BLOCK ASSY- (USED ON ITEM 155)	A,N,A H,AK, AT,BB ,BH,B K,BN BR,BV ,BX,C D,CJ	1
R -197A	417T4255-7		...BLOCK ASSY- (USED ON ITEM 150B AND 155A)	Q,AJ, AY-BA ,CA-C C,CE	1
200	MS21207C4-4	SCREW	A,N,Q ,AH-A K,AT, AY-BB ,BH BK,BN ,BR,B V,BX, CA-CE ,CJ	1
205	417T4255-4	COVER	A,N,Q ,AH-A K,AT, AY-BB ,BH BK,BN ,BR,B V,BX, CA-CE ,CJ	1

35-21-51

ILLUSTRATED PARTS LIST

01.1 Page 1082Y

Mar 01/00

FIG. & ITEM	PART NO.	AIRLINE PART NUMBER	NOMENCLATURE 1234567	EFF CODE	QTY PER ASSY
02-210	417T4255-3	STRAP	A,N,Q ,AH-A K,AT, AY-BB ,BH BK,BN ,BR,B V,BX, CA-CE ,CJ	1
215	6041-3BR0375	INSERT- (V01556)	A,N,Q ,AH-A K,AT, AY-BB ,BH BK,BN ,BR,B V,BX, CA-CE ,CJ	2
R 220	417T4255-2	BLOCK- (USED ON ITEM 195)	A,N,A H,AK, AT,AY ,BB,B H,BK BN,BR ,BV,B X,C A-CD, CJ	1
-220A	417T4255-8		DELETED		

35-21-51

 ILLUSTRATED PARTS LIST
 01.1 Page 1082Z
 Mar 01/00


BOEING
 COMPONENT
 MAINTENANCE MANUAL

FIG. & ITEM	PART NO.	AIRLINE PART NUMBER	NOMENCLATURE 1234567	EFF CODE	QTY PER ASSY
R 02-222	417T4255-2	BLOCK- (USED ON ITEM 197)	A,N,A H,AK, AT,BB ,BH,B K,BN BR,BV ,BX,C D,CJ	1
R -222A	417T4255-8	BLOCK- (USED ON ITEM 197A)	Q,AJ, AY-BA ,CA-C C,CE	1
225	117003-12		..GENERATOR-2 PERSON (V16827) (SPEC S417T401-25)	A,N,A H,AK, AT,BB ,BH,B K,BN BR,BV ,BX,C D	1
-225A	117003-22		..GENERATOR-2 PERSON (V16827) (SPEC S417T401-22)	Q,AJ, AY-BA ,CA-C C,CE	1
R -225B	E71720-00		..GENERATOR-2 PERSON (VD1379) (SPEC S417T401-45)	CJ	1
230	417T4262-1		..CABLE ASSY-RELEASE (OPT ITEM 230A)	N	1
-230A	417T4262-3		..CABLE ASSY-RELEASE (OPT ITEM 230)	N	1
-230B	417T4262-3		..CABLE ASSY-RELEASE	A,Q,A H-AK, AT,A Y-BB, BH,BK BN,BR ,BV,B X,C A-CE, CJ	1

35-21-51

ILLUSTRATED PARTS LIST

01.1

Page 1083

Mar 01/00

FIG. & ITEM	PART NO.	AIRLINE PART NUMBER	NOMENCLATURE 1234567	EFF CODE	QTY PER ASSY
02-			ATTACHING PARTS		
235	NAS1801-08-6		..SCREW	A,N,Q ,AH-A K,AT, AY-BB ,BH BK,BN ,BR,B V,BX, CA-CE ,CJ	1
240	AN960-8		..WASHER	A,N,Q ,AH-A K,AT, AY	1
-240A	NAS1149FN832P		..WASHER	AZ-BB ,BH,B K,BN, BR	1
R -240B	NAS1149DN832J		..WASHER	BV,BX ,CA-C E,CJ	1
			-----*-----		
245	MS20659-102		...TERMINAL- (OPT ITEM 245A)	A,N,Q ,AH-A K,AT, AY-BB ,BH BK,BN ,BR,B V,BX, CA-CE ,CJ	1
R -245A	A87		...TERMINAL- (V59730) (OPT ITEM 245)	A,N,Q ,AH-A K,AT, AY-BB ,BH BK,BN ,BR,B V,BX, CA-CE ,CJ	1

35-21-51

ILLUSTRATED PARTS LIST

01.1

Page 1084

Mar 01/00

BOEING
 COMPONENT
 MAINTENANCE MANUAL

FIG. & ITEM	PART NO.	AIRLINE PART NUMBER	NOMENCLATURE 1234567	EFF CODE	QTY PER ASSY
02-					
-245B	MS20659-102		DELETED		
-245C	A87		DELETED		
250	417T4307-1		...PIN	A,N,Q ,AH-A K,AT	1
-250A	417T4307-2		...PIN	AZ-BB ,BH,B K,BN, BR,BV ,BX CA-CE ,CJ	1
255	417T4308-1		...STOP-LANYARD	A,N,Q ,AH-A K,AT, AY-BB ,BH BK,BN ,BR,B V,BX, CA-CE ,CJ	1
260	417T4262-2		...ROPE-WIRE	A,N,Q ,AH-A K,AT, AY-BB ,BH BK,BN ,BR,B V,BX, CA-CE ,CJ	1

35-21-51

ILLUSTRATED PARTS LIST
 01.1 Page 1084A
 Mar 01/00

FIG. & ITEM	PART NO.	AIRLINE PART NUMBER	NOMENCLATURE 1234567	EFF CODE	QTY PER ASSY
02-265	NAS603-6		..SCREW	A,N,Q ,AH-A K,AT, AY-BB ,BH BK,BN ,BR,B V,BX, CA-CE ,CJ	1
270	AN960-10L		..WASHER	A,N,Q ,AH-A K,AT, AY	1
-270A	NAS1149F0332P		..WASHER	AZ-BB ,BH,B K,BN, BR	1
R -270B	NAS1149D0332J		..WASHER	BV,BX ,CA-C E,CJ	1
275	H10-3BAC		..NUT- (V15653) (SPEC BACN10JC3) (OPT NS202101-02 (V80539)) (OPT RMLH9075-3W (V72962)) (OPT T6S1032J (V71087)) (OPT VN303A02 (V92215)) (OPT 96-02 (V80539)) (OPT BRH10A3 (V52828))	A,N,Q ,AH-A K,AT, AY-BB ,BH BK,BN ,BR,B V,BX, CA-CE ,CJ	1

35-21-51

 ILLUSTRATED PARTS LIST
 01.1 Page 1084B
 Mar 01/00


BOEING
 COMPONENT
 MAINTENANCE MANUAL

FIG. & ITEM	PART NO.	AIRLINE PART NUMBER	NOMENCLATURE 1234567	EFF CODE	QTY PER ASSY
02-277	NAS42DD6-45FC		..SLEEVE	AZ-BB ,BH,B K,BN, BR,BV ,BX CA-CC	2
R -277A	NAS42DD6-40FC		..SLEEVE	CD,CE ,CJ	2
280	BACC10D604		..CLAMP- (OPT ITEM 280A)	A,N,Q ,AH-A K,AT	1
-280A	MS21919DG8		..CLAMP- (OPT ITEM 280)	A,N,Q ,AH-A K,AT	1
-280B	MS21919DG6		..CLAMP	AY-BB ,BH,B K,BN, BR,BV ,BX CA-CE ,CJ	1
285	417T4205-184		..MASK ASSY	A,N,Q ,AJ,A Y-BA	2
-285A	417T4205-101		..MASK ASSY	AH,AK ,AT,B B,BH, BK,BN ,BR	2

35-21-51

 ILLUSTRATED PARTS LIST
 01.1 Page 1084C
 Mar 01/00

FIG. & ITEM	PART NO.	AIRLINE PART NUMBER	NOMENCLATURE 1234567	EFF CODE	QTY PER ASSY
02-					
-285B	S418W001-108		DELETED		
-285C	S418W001-111		DELETED		
R -285D	289-801-053		..MASK ASSY- (V53655) (SPEC S418W001-108)	BV,BX ,CD,C J	2
R -285E	289-801-055		..MASK ASSY- (V53655) (SPEC S418W001-111)	CA-CC ,CE	2
290	417T4205-31		...TUBING	A,N,Q ,AJ,A Y-BA	1
-290A	417T4205-12		...TUBING	AH,AK ,AT,B B,BH, BK,BN ,BR	1
295	417T4205-7		...CLAMP-HEAD STRAP	A,N,Q ,AH-A K,AT, AY-BB ,BH BK,BN ,BR	2
300	417T4205-50		...CLAMP-LANYARD	A,N,Q ,AJ,A Y-BA	2
302	417T4205-50		...CLAMP-LANYARD	AH,AK ,AT,B B,BH, BK,BN ,BR	1
305	417T4205-96		...RING- (OPT ITEM 305A)	A,N,Q ,AJ,A Y-BA	1
-305A	N0318		...SNAPHOOK- (V82399) (OPT ITEM 305)	A,N,Q ,AJ,A Y-BA	1
-305B	417T4205-96		...RING	AH,AK ,AT,B B,BH, BK,BN ,BR	1

35-21-51

ILLUSTRATED PARTS LIST

01.1 Page 1084D

Mar 01/00


BOEING
 COMPONENT
 MAINTENANCE MANUAL

FIG. & ITEM	PART NO.	AIRLINE PART NUMBER	NOMENCLATURE 1234567	EFF CODE	QTY PER ASSY
02-310	417T4205-85		...LANYARD	A,N,Q ,AJ,A Y-BA	1
-310A	417T4205-24		...LANYARD	AH,AK ,AT,B B,BH, BK,BN ,BR	1
315	318		...SNAPHOOK- (V82399)	A,N,Q ,AH-A K,AT, AY-BB ,BH BK,BN ,BR	1
320	417T4205-6		...STRAP-HEAD	A,N,Q ,AH-A K,AT, AY-BB ,BH BK,BN ,BR	1
325	417T4205-32		...CLIP-HEAD STRAP	A,N,Q ,AH-A K,AT, AY-BB ,BH BK,BN ,BR	2
330	417T4205-9		...BAG-OXY	A,N,Q ,AH-A K,AT, AY-BB ,BH BK,BN ,BR	1
335	417T4205-8		...MASK-OXY	A,N,Q ,AH-A K,AT, AY-BB ,BH BK,BN ,BR	1

35-21-51

ILLUSTRATED PARTS LIST

01.1 Page 1084E

Mar 01/00

FIG. & ITEM	PART NO.	AIRLINE PART NUMBER	NOMENCLATURE 1234567	EFF CODE	QTY PER ASSY
02-340	NAS601-6		..SCREW	A,N,Q ,AH-A K,AT, AY-BB ,BH BK,BN ,BR,B V,BX, CA-CE ,CJ	2
345	NAS620-6		..WASHER	A,N,Q ,AH-A K,AT, AY-BB ,BH BK,BN ,BR,B V,BX, CA-CE ,CJ	2
350	AN960-6		..WASHER	A,N,Q ,AH-A K,AT, AY	2
-350A	NAS1149FN632P		..WASHER	AZ-BB ,BH,B K,BN, BR	2
R -350B	NAS1149DN632J		..WASHER	BV,BX ,CA-C E,CJ	2

35-21-51

 ILLUSTRATED PARTS LIST
 01.1 Page 1084F
 Mar 01/00

BOEING
 COMPONENT
 MAINTENANCE MANUAL

FIG. & ITEM	PART NO.	AIRLINE PART NUMBER	NOMENCLATURE	EFF CODE	QTY PER ASSY
			1234567		
02-355	AN960-6L		..WASHER	A,N,A H,AK	AR
360	H10-06BAC		..NUT- (V15653) (SPEC BACN10JC06) (OPT RMLH9075-62W (V72962)) (OPT T6S632J (V11815)) (OPT VN303A62 (V92215)) (OPT 96-62 (V80539)) (OPT BRH10A06 (V52828)) (OPT NS202101-62 (V80539))	A,N,Q ,AH-A K,AT, AY-BB ,BH BK,BN ,BR,B V,BX, CA-CE ,CJ	2
365	78175-4		..ACTUATOR-DOOR LATCH (V09790) (SPEC S417T402-4)	A,N,Q ,AH-A K,AT, AY-BB ,BH BK,BN ,BR,B V,BX, CA-CE ,CJ	1
370	417T4267-1		..LATCH ASSY	A,N,Q ,AH-A K,AT, AY-BB ,BH BK,BN ,BR,B V,BX, CA-CE ,CJ	1
			ATTACHING PARTS		

35-21-51

ILLUSTRATED PARTS LIST
 01.1 Page 1084G
 Mar 01/00

FIG. & ITEM	PART NO.	AIRLINE PART NUMBER	NOMENCLATURE 1234567	EFF CODE	QTY PER ASSY
02-375	NAS1801-08-6		..SCREW	A,N,Q ,AH-A K,AT, AY-BB ,BH BK,BN ,BR,B V,BX, CA-CE ,CJ	3
380	AN960-8		..WASHER	A,N,Q ,AH-A K,AT, AY	3
-380A	NAS1149FN832P		..WASHER	AZ-BB ,BH,B K,BN, BR	3
R -380B	NAS1149DN832J		..WASHER	BV,BX ,CA-C E,CJ	3
385	MS51861-4C	*----- ...SCREW	A,N,Q ,AH-A K,AT, AY-BB ,BH BK,BN ,BR,B V,BX, CA-CE ,CJ	1

35-21-51

 ILLUSTRATED PARTS LIST
 01.1 Page 1084H
 Mar 01/00


BOEING
 COMPONENT
 MAINTENANCE MANUAL

FIG. & ITEM	PART NO.	AIRLINE PART NUMBER	NOMENCLATURE 1234567	EFF CODE	QTY PER ASSY
02-390	417T4314-1		...BLOCK-EXTENSION	A,N,Q ,AH-A K,AT, AY-BB ,BH BK,BN ,BR,B V,BX, CA-CE ,CJ	1
395	417T4267-2		...LATCH ASSY	A,N,Q ,AH-A K,AT, AY-BB ,BH BK,BN ,BR,B V,BX, CA-CE ,CJ	1
400	MS35489-4X		..GROMMET- (OPT ITEM 400A)	A,N,Q ,AH-A K,AT, AY	2
R -400A	Z2318		..GROMMET- (V76385) (OPT ITEM 400)	A,N,Q ,AH-A K,AT	2
-400B	MS35489-4X		..GROMMET	AZ-BB ,BH,B K,BN, BR,BV ,BX CA-CE ,CJ	2
405	C0909A08-02PN		..CONNECTOR- (V13556) (SPEC BACC63BN8-2P) (OPT 48-63N8-2P (V02660))	AH,A Z-BB, BH,BK ,BN,B R,BV BX,C A-CE, CJ	1

35-21-51

ILLUSTRATED PARTS LIST

01.1 Page 1084I

Mar 01/00

FIG. & ITEM	PART NO.	AIRLINE PART NUMBER	NOMENCLATURE 1234567	EFF CODE	QTY PER ASSY
02- -405A	C0909A08-02PN		..CONNECTOR- (V13556) (SPEC BACC63BN8-2P) (OPT 48-63N8-2P (V02660)) (OPT ITEM 405B)	A,N,Q ,AJ,A K,AT, AY	1
-405B	BACC45FT8-2P		..CONNECTOR- (OPT ITEM 405A)	A,N,Q ,AJ,A K,AT, AY	1
-405C	C0909A08-02PN		DELETED		
-405D	BACC45FT8-2P		..CONNECTOR	BA	1
410	BACC10GH08		..CLAMP-CABLE	A,N,Q ,AH,A J,AK, AY-BB ,BH BK,BN ,BR,B V,BX, CA-CE ,CJ	1
415	TY25M		..STRAP- (V59730) (SPEC STBS38G3) (OPT ITEMS 415A, 415B)	A,N,Q ,AH-A K,AT, AY	1
-415A	TY525M		..CLAMP- (V06383) (OPT ITEMS 415, 415B)	A,N,Q ,AH-A K,AT	1
-415B	PLT4HTL		..STRAP- (V06383) (SPEC BACS38K3) (OPT T012R0 (V53421)) (OPT ITEMS 415, 415A)	A,N,Q ,AH-A K,AT	1
-415C	TY25M		DELETED		
-415D	T05R0		..STRAP- (V53421) (SPEC BACS38K1) (OPT PLT2SM (V06383))	BA,BB ,BH,B K,BN, BR,BV ,BX CB-CE ,CJ	1

35-21-51

ILLUSTRATED PARTS LIST

01.1 Page 1084J

Mar 01/00

BOEING
 COMPONENT
 MAINTENANCE MANUAL

FIG. & ITEM	PART NO.	AIRLINE PART NUMBER	NOMENCLATURE 1234567	EFF CODE	QTY PER ASSY
02-420	417T6012-11		..DECAL-ENTRY-L SLIP IN	A,N,Q ,AH-A K,A Y-BB, BH,BK BN,BR ,BV,B X,C A-CE, CJ	1
R -420A	BAC27TPPS5977		..DECAL-ENTRY L	AT	1
-422	BAC27TPPS6363		DELETED		
425	417T6012-13		..DECAL-ENTRY-R SLIP IN	A,N,Q ,AH-A K,A Y-BB, BH,BK BN,BR ,BV,B X,C A-CE, CJ	1
R -425A	BAC27TPPS5979		..DECAL-ENTRY R	AT	1
-427	BAC27TPPS6365		DELETED		
430	417T6012-27		..DECAL-MAIN DOOR UP SLIP IN	A,N,Q ,AH-A K,A Y-BB, BH,BK BN,BR ,BV,B X,C A-CE, CJ	1

35-21-51

ILLUSTRATED PARTS LIST
 01.1 Page 1084K
 Mar 01/00

FIG. & ITEM	PART NO.	AIRLINE PART NUMBER	NOMENCLATURE 1234567	EFF CODE	QTY PER ASSY
02- -430A	BAC27TPPS5974		..DECAL-MAIN DOOR UP	AT	1
-432	BAC27TPPS6361		DELETED		
435	417T6012-7		..DECAL-ATTND-L SLIP IN	A,N,Q ,AH-A K,A Y-BB, BH,BK BN,BR ,BV,B X,C A-CE, CJ	1
R -435A	BAC27TPPS5975		..DECAL-ATTND L	AT	1
437	BAC27TPPS6349		DELETED		
-438	BAC27TPPS6371		DELETED		
440	417T6012-9		..DECAL-ATTND-R SLIP IN	N,AH, BR	1
-440A	417T6012-3		..DECAL-NO LEGEND SLIP IN	A,Q,A J,AK, AY-BB ,BH,B K,BN BV,BX ,CA-C E,CJ	1
R -440B	BAC27TPPS5976		..DECAL	AT	1
445	417T6012-29		..DECAL-MAIN DOOR DOWN SLIP IN	A,N,Q ,AH-A K,A Y-BB, BH,BK BN,BR ,BV,B X,C A-CE, CJ	1
-445A	BAC27TPPS5978		..DECAL-MAIN DOOR DOWN	AT	1

35-21-51

 ILLUSTRATED PARTS LIST
 01.1 Page 1084L
 Mar 01/00


BOEING
 COMPONENT
 MAINTENANCE MANUAL

FIG. & ITEM	PART NO.	AIRLINE PART NUMBER	NOMENCLATURE 1234567	EFF CODE	QTY PER ASSY
02-					
-447	417T6012-3		DELETED		
-447A	BAC27TPPS5976		DELETED		
448	417T6012-79		DELETED		
-449	BAC27TPPS6364		DELETED		
-449M	BAC27TPPS6362		DELETED		
450	2100-100		..LENS-NO LEGEND WHITE (V91929)	A,N,Q ,AH-A K,AT, AY-BB ,BH BK,BN ,BR,B V,BX, CA-CE ,CJ	3
453	2100-100		..LENS-NO LEGEND WHITE (V91929)	N,BR	1
455	2100-103		..LENS-ARROW WHITE (V91929)	A,N,Q ,AH-A K,AT, AY-BB ,BH BK,BN ,BR,B V,BX, CA-CE ,CJ	2
460	2100-3		..SWITCH-TWO POLE ALT (V91929) (S1, S2, S5)	A,N,Q ,AH-A K,AT, AY-BB ,BH BK,BN ,BR,B V,BX, CA-CE ,CJ	3

35-21-51

ILLUSTRATED PARTS LIST

01.1 Page 1084M

Mar 01/00

FIG. & ITEM	PART NO.	AIRLINE PART NUMBER	NOMENCLATURE 1234567	EFF CODE	QTY PER ASSY
02-463	2100-3		..SWITCH-TWO POLE ALT (V91929) (S4)	N, BR	1
465	2100-6		..SWITCH-TWO POLE MOM (V91929) (S13, S18)	A, N, Q , AH-A , K, AT, , AY-BB , BH , BK, BN , BR, B , V, BX, , CA-CE , CJ	2
467	AML78CB001		..PLUG-SQUARE (V91929)	A, N, A , H, AK, , AT, A , Y-BB, , BH, BK , BN, BV , BX, , CA-CE , CJ	1
470	BACS16X1		..SOCKET	A, N, A , H, AK, , AT, A , Y-BB, , BH, BK , BN, BR , BV, B , X, C , A-CD, , CJ	2
473	BACS16X1		..SOCKET	Q, AJ, , CE	2

35-21-51

 ILLUSTRATED PARTS LIST
 01.1 Page 1084N
 Mar 01/00


BOEING
 COMPONENT
 MAINTENANCE MANUAL

FIG. & ITEM	PART NO.	AIRLINE PART NUMBER	NOMENCLATURE 1234567	EFF CODE	QTY PER ASSY
02-475	61GB19-1A320		..RELAY- (V98927) (SPEC BACR13CF2A) (OPT JD4A017 (V35344)) (OPT BR64S104 (V56623)) (OPT BR246S0112 (V56623)) (OPT FCA210-70 (V78290)) (OPT E215-1050 (V99699)) (K1, K2)	A,N,A H,AK, AT,AY ,BB,B H,BK BN,BR ,BV,B X,C A-CD, CJ	2
478	61GB19-1A320		..RELAY- (V98927) (SPEC BACR13CF2A) (OPT JD4A017 (V35344)) (OPT BR64S104 (V56623)) (OPT BR246S0112 (V56623)) (OPT FCA210-70 (V78290)) (OPT E215-1050 (V99699)) (K1, K2)	Q,AJ, AZ,BA ,CE	2
480	BACC45FT16B24P		..CONNECTOR- (P1)	A,N,Q ,AH-A K,AT, AY,BA ,BB BH,BK ,BN,B R,BV, BX,C A-CE CJCE	1
481	MS51861-35		..SCREW	Q,AJ, AY-BA ,CE	2
482	AN960PD8L		..WASHER	Q,AJ, AY	2

35-21-51

ILLUSTRATED PARTS LIST

01.1 Page 10840

Mar 01/00

FIG. & ITEM	PART NO.	AIRLINE PART NUMBER	NOMENCLATURE 1234567	EFF CODE	QTY PER ASSY
02- -482A	NAS1149DN816J		..WASHER	AZ,BA ,CE	2
483 483A	417N3138-14 417N3138-18		DELETED ..LINE ASSY-SUPPLY	Q,AJ, AY-BA ,CE	1
483J	417N3138-19		...HOSE-FLEXIBLE	Q,AJ, AY-BA ,CE	1
483S	417N3138-16		...MANIFOLD	Q,AJ, AY-BA ,CE	1
484	837150		..CLAMP-CIRCLE (V16827) (OPT ITEM 484A)	Q,AJ, AY	1
-484A	70-505R		..CLAMP-CIRCLE (V25281) (OPT ITEM 484)	Q,AJ	1
-484B	837150		..CLAMP-CIRCLE (V16827)	AZ,BA ,CE	1
485	417T4311-5		..PANEL-DECORATIVE	A,N,Q ,AH-A K,AY	1
490	417T4311-4		..PANEL-SUBSTRATE	A,N,Q ,AH-A K,AT, AY-BB ,BH BK,BN ,BR,C D,CE, CJ	1

35-21-51

 ILLUSTRATED PARTS LIST
 01.1 Page 1084P
 Mar 01/00


BOEING
 COMPONENT
 MAINTENANCE MANUAL

FIG. & ITEM	PART NO.	AIRLINE PART NUMBER	NOMENCLATURE 1234567	EFF CODE	QTY PER ASSY
R 02-491	AJ3-30		..STUD- (V72794)	CE	2
R 493	N03		..RING-SNAP (V72794)	CE	2
495	417T4266-5		..FACEPLATE ASSY- (PRE SB 767-35-0023)	A,N,A H,AK	1
-495A	417T4266-11		..FACEPLATE ASSY (PRE SB 767-35-0027)	AK,AT	1
-495B	417T4266-11		..FACEPLATE ASSY- (POST SB 767-35-0023)	A,N,A H,AK	1
-495C	417T4266-40		..FACEPLATE ASSY	BH,BK ,BV,B X,CD, CJ	1
-495D	417T4266-40		..FACEPLATE ASSY- (POST SB 767-35-0027)	BB,BN ,BR	1
498	417T4266-6		..FACEPLATE ASSY- (PRE SB 767-35-0023)	Q,AJ	1
-498A	417T4266-12		..FACEPLATE ASSY- (POST SB 767-35-0023)	Q,AJ, AY	1
-498B	417T4266-30		..FACEPLATE ASSY- (POST SB 767-35-0027)	AZ,BA ,CA-C C,CE	1
-498C	417T4266-12		..FACEPLATE ASSY- (PRE SB 767-35-0027)	AJ,AY	1
500	BACR15CE4D		...RIVET- (SIZE DETERMINE ON INST)	A,N,Q ,AH-A K,AT, AY-BB ,BH BK,BN ,BR,B V,BX, CA-CE ,CJ	6

35-21-51

 ILLUSTRATED PARTS LIST
 01.1 Page 1084Q
 Mar 01/00

FIG. & ITEM	PART NO.	AIRLINE PART NUMBER	NOMENCLATURE 1234567	EFF CODE	QTY PER ASSY
02-505	417T4312-4		...SPACER-BLOCK	A,N,Q ,AH-A K,AT, AY-BB ,BH BK,BN ,BR,B V,BX, CA-CE ,CJ	1
510	417T4312-14		...SHIELD	A,N,Q ,AH-A K,AT, AY-BB ,BH BK,BN ,BR,B V,BX, CA-CE ,CJ	1
515	BACR15BB3AD		...RIVET- (SIZE DETERMINE ON INST)	A,N,Q ,AH-A K,AT, AY-BB ,BH BK,BN ,BR,B V,BX, CA-CE ,CJ	4

35-21-51

 ILLUSTRATED PARTS LIST
 01.1 Page 1084R
 Mar 01/00


BOEING
 COMPONENT
 MAINTENANCE MANUAL

FIG. & ITEM	PART NO.	AIRLINE PART NUMBER	NOMENCLATURE 1234567	EFF CODE	QTY PER ASSY
02-520	BACR15BA3AD		...RIVET- (SIZE DETERMINE ON INST)	A,N,Q ,AH-A K,AT, AY-BB ,BH BK,BN ,BR,B V,BX, CA-CE ,CJ	6
525	417T4312-6		...BRACKET	A,N,Q ,AH-A K,AT, AY-BB ,BH BK,BN ,BR,B V,BX, CA-CE ,CJ	1
530	417T4312-5		...BRACKET	A,N,Q ,AH-A K,AT, AY-BB ,BH BK,BN ,BR,B V,BX, CA-CE ,CJ	1
535	417T4312-8		...STOP-D00R	A,N,Q ,BH,B K,BV, BX,CD ,CJ	1
-535A	417T4312-18		...STOP-D00R (POST SB 767-35-0027)	AZ-BB ,BN,B R,C A-CC, CE	1
-535B	417T4312-8		...STOP-D00R (PRE SB 767-35-0027)	AH-AK ,AT,A Y	1

35-21-51

ILLUSTRATED PARTS LIST

01.1 Page 1084S

Mar 01/00

FIG. & ITEM	PART NO.	AIRLINE PART NUMBER	NOMENCLATURE 1234567	EFF CODE	QTY PER ASSY
02-540	BACR15BB4AD		...RIVET- (SIZE DETERMINE ON INST)	A,N,Q ,AH-A K,AT, AY-BB ,BH BK,BN ,BR,B V,BX, CA-CE ,CJ	6
545	417T4312-7		...BRACKET	A,N,Q ,AH-A K,AT, AY-BB ,BH BK,BN ,BR,B V,BX, CA-CE ,CJ	1
550	417T4312-10		...BRACKET	A,N,Q ,AH-A K,AT, AY-BB ,BH BK,BN ,BR,B V,BX, CA-CE ,CJ	1
555	BACR15CE4D		...RIVET- (SIZE DETERMINE ON INST)	N,Q,A H,AJ, AT,AY ,BB,B H,BK BN,BR ,BV,B X,C A-CE, CJ	9

35-21-51

ILLUSTRATED PARTS LIST

01.1 Page 1084T

Mar 01/00


BOEING
 COMPONENT
 MAINTENANCE MANUAL

FIG. & ITEM	PART NO.	AIRLINE PART NUMBER	NOMENCLATURE 1234567	EFF CODE	QTY PER ASSY
02-560	417T4312-13		...SHIELD-MASK	A,N,Q ,AH-A K,AT, AY-BB ,BH BK,BN ,BR,B V,BX, CA-CE ,CJ	1
565	417T4312-1		...PANEL-SIDE	A,N,A H,AK, AT,AY ,BB,B H,BK BN,BR ,BV,B X,CD, CJ	1
-565A	417T4312-9		...PANEL-SIDE	Q,AJ, AZ,BA ,CA-C C,CE	1
570	417T4311-3		...PANEL-FACEPLATE	A,N,Q ,AH-A K,AT, AY-BB ,BH BK,BN ,BR,B V,BX, CA-CE ,CJ	1

35-21-51

ILLUSTRATED PARTS LIST

01.1 Page 1084U

Mar 01/00

FIG. & ITEM	PART NO.	AIRLINE PART NUMBER	NOMENCLATURE 1234567	EFF CODE	QTY PER ASSY
R 02-571	BAC27TPPS5972		..DECAL		1
R 571K	BAC27TPPS6356		..MARKER	AZ, BH, BV, CA	1
R 572	BAC27TPPS6328		..MARKER	BA, BN, BR, CB-CD	1
R -572A	BAC27TPPS6346		..MARKER	BB, BK, BX, C, E, CJ	1
573	MS35333-38		.WASHER	AJ, AK, AT, A, Y-BB, BH, BK, BN, BR, BV, BX, CA-CE, CJ	4
574	MS35333-38		.WASHER	A, AH	1
-574A	MS35333-38		.WASHER- (ITEM 575 OPT TO ITEM 574A AND 575B)	N, Q	1
575	MS21042L08		.NUT- (ITEM 575 OPT TO ITEM 574A AND 575B)	N, Q	1
-575A	MS35649-282		.NUT	A, AH	1
-575B	MS35649-282		.NUT- (ITEM 575 OPT TO ITEM 574A AND 575B)	N, Q	1
576	MS35649-282		.NUT	AJ, AK, AT, A, Y-BB, BH, BK, BN, BR, BV, BX, CA-CE, CJ	4

35-21-51

 ILLUSTRATED PARTS LIST
 01.1 Page 1084V
 Mar 01/00


BOEING
 COMPONENT
 MAINTENANCE MANUAL

FIG. & ITEM	PART NO.	AIRLINE PART NUMBER	NOMENCLATURE 1234567	EFF CODE	QTY PER ASSY
02-580	BACC10DK8A		.CLAMP	A,N,Q ,AH-A K,AT, AY-BB ,BH BK,BN ,BR,B V,BX, CA-CE ,CJ	1
-580A	BACC10DK6		.CLAMP	AK,AT ,AY-B B,BH, BK,BN ,BR BV,BX ,CA-C E,CJ	3
585	N2088		.PLUG-FILLER (V75345) (SPEC BACP20BA1) (OPT SZ7105 (V95272)) (OPT 4841 (V84914))	A,N,Q ,AH,A J,AK	1
587	N2088		.PLUG-FILLER (V75345) (SPEC BACP20BA1) (OPT SZ7105 (V95272)) (OPT 4841 (V84914))	AT,A Z-BB, BH,BK ,BN,B R,BV BX,C A-CE, CJ	4

35-21-51

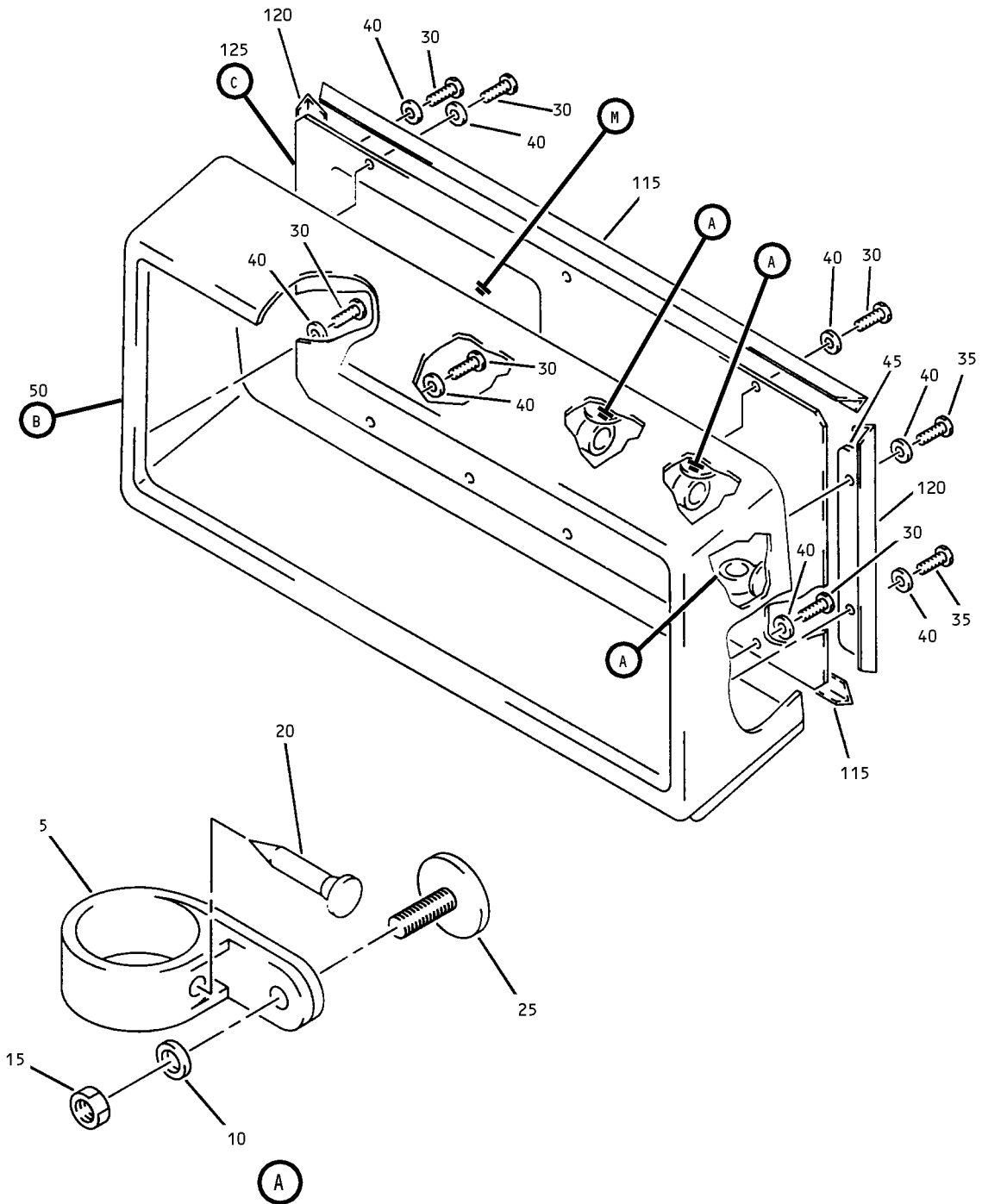
 ILLUSTRATED PARTS LIST
 01.1 Page 1084W
 Mar 01/00

FIG. & ITEM	PART NO.	AIRLINE PART NUMBER	NOMENCLATURE	EFF CODE	QTY PER ASSY
			1234567		
02-590	SL6156-08		.STUD- (V97393)	A,N,Q ,AH-A K	1
595	SL6156-08		.STUD- (V97393)	AT,A Y-BB, BH,BK ,BN,B R,BV BX,C A-CE, CJ	4

- Item Not Illustrated

35-21-51

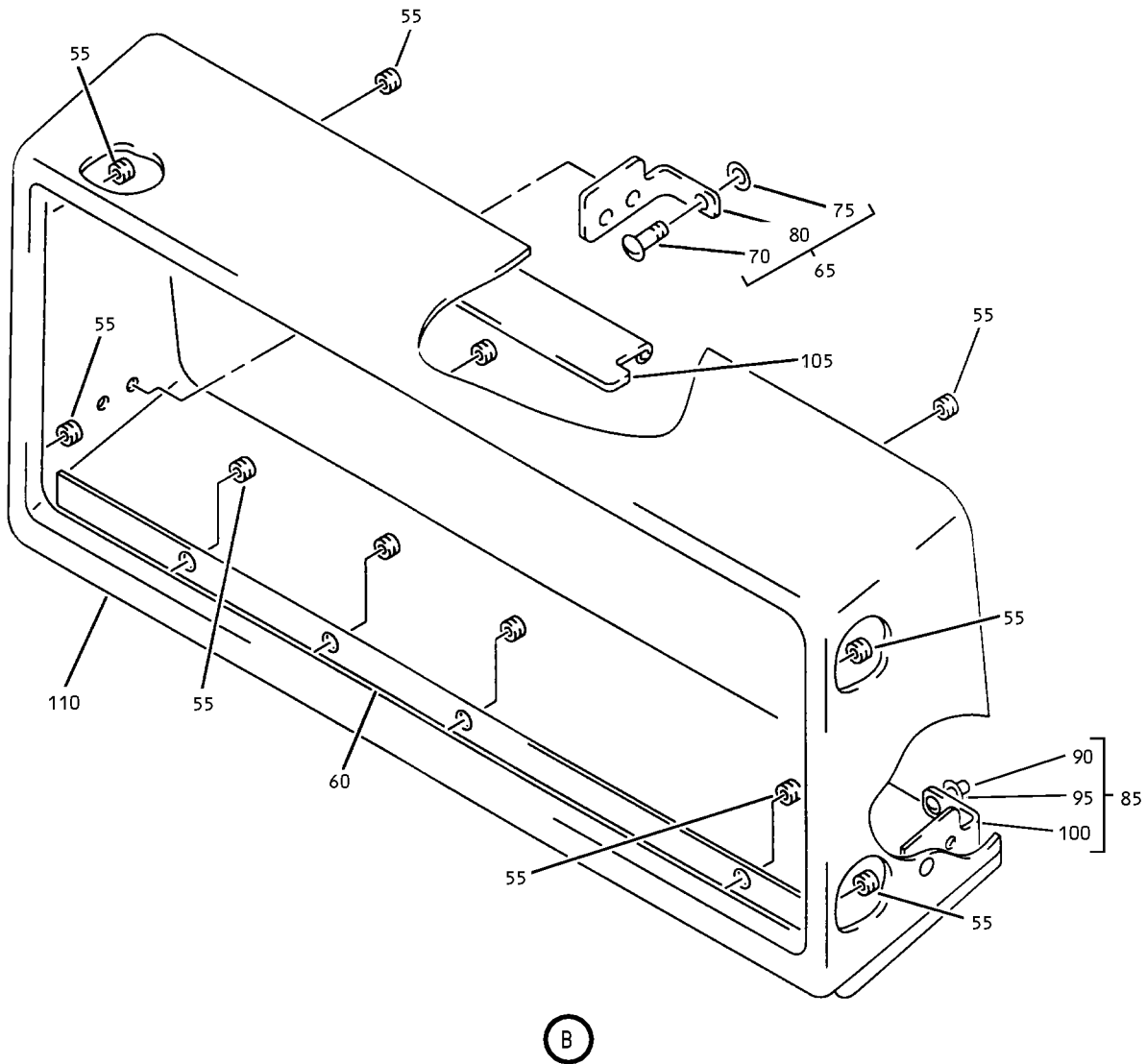
ILLUSTRATED PARTS LIST
 01.1 Page 1084X
 Mar 01/00



Flight Attendant'S Panel No. 3 Oxygen Module Assembly
Figure 3 (Sheet 1)

35-21-51

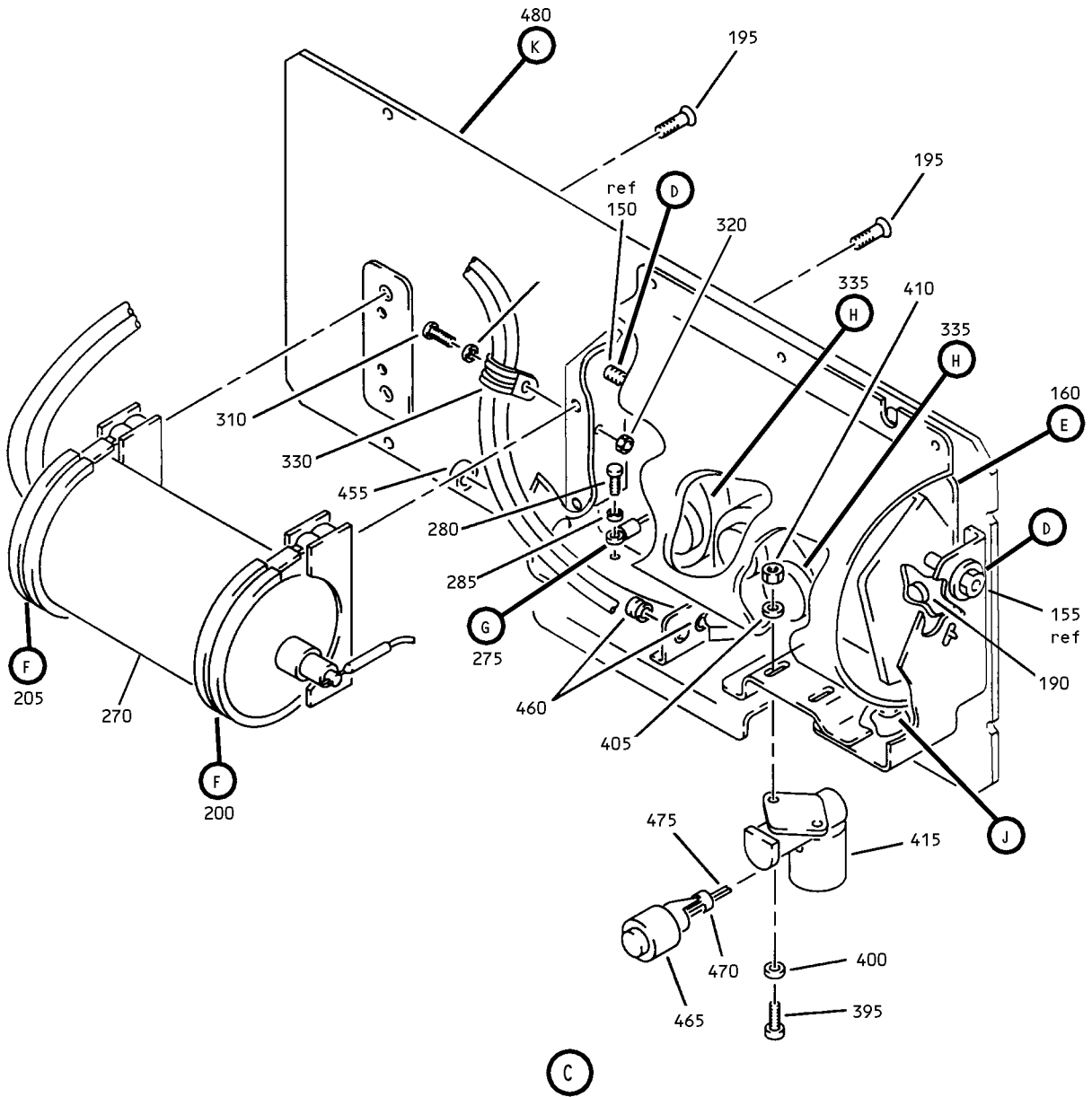
ILLUSTRATED PARTS LIST
01.1 Page 1084Y
Mar 01/00



Flight Attendant'S Panel No. 3 Oxygen Module Assembly
Figure 3 (Sheet 2)

35-21-51

ILLUSTRATED PARTS LIST
01.1 Page 1084Z
Mar 01/00

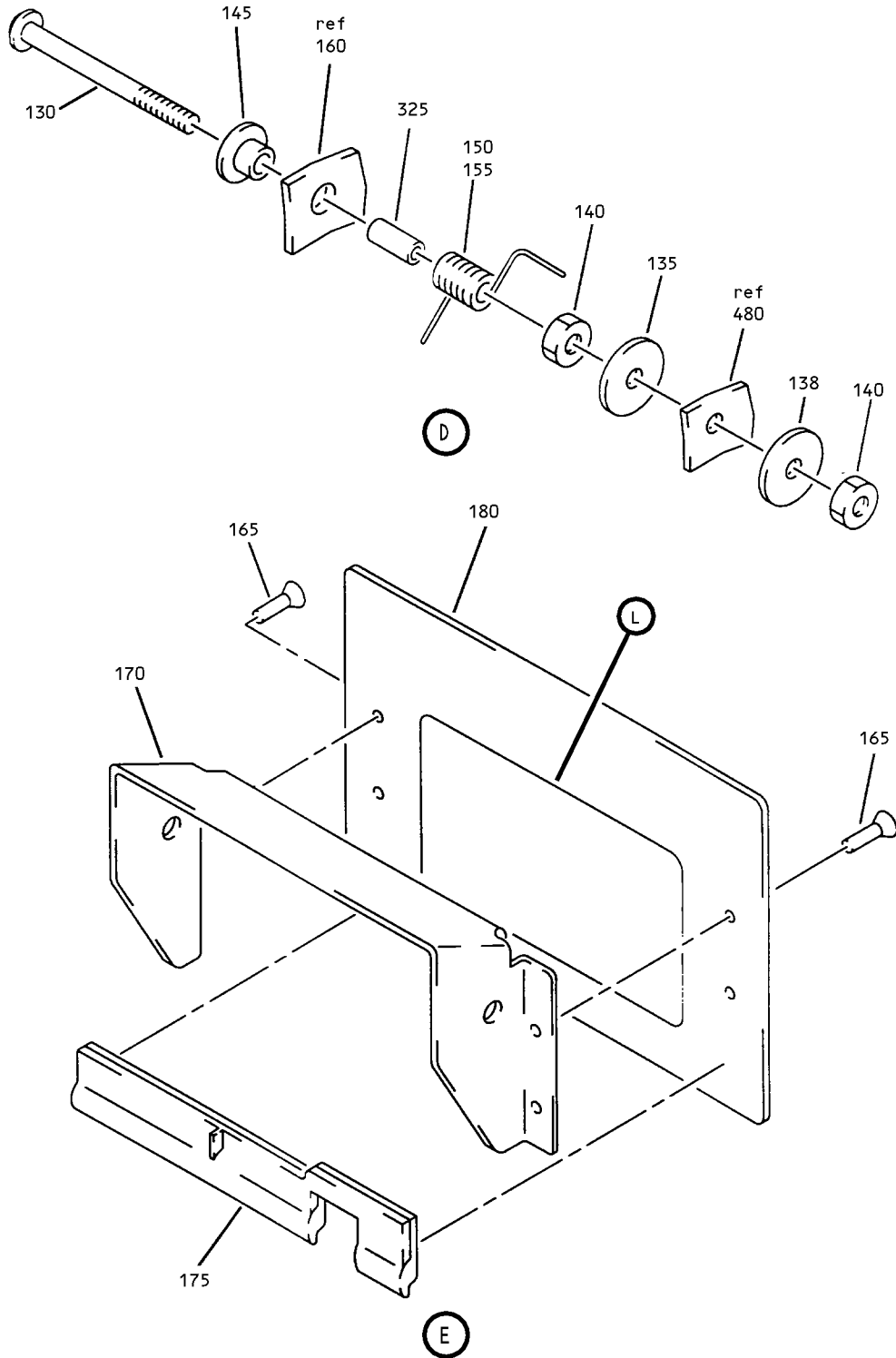


Flight Attendant'S Panel No. 3 Oxygen Module Assembly
 Figure 3 (Sheet 3)

35-21-51

ILLUSTRATED PARTS LIST
 01.1 Page 1085
 Mar 01/00

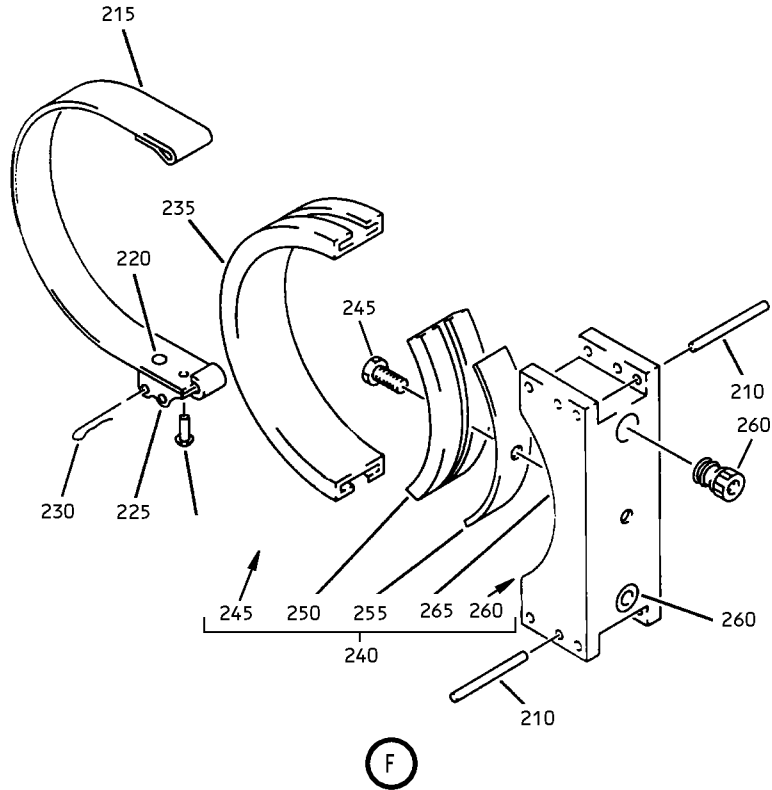
L01401



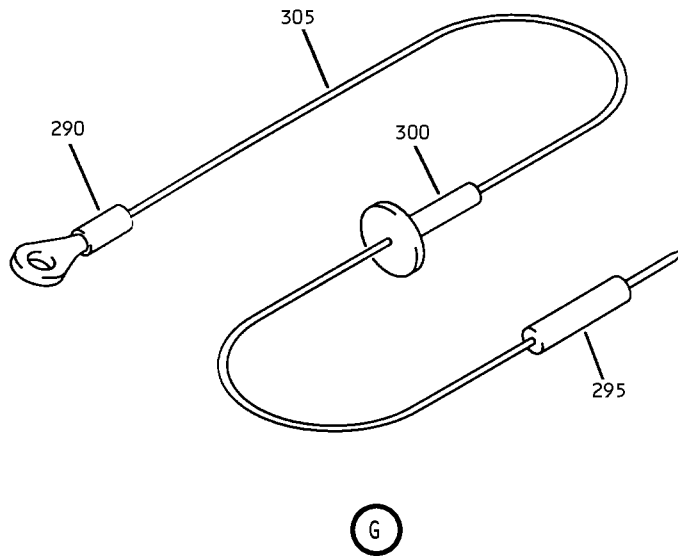
Flight Attendant'S Panel No. 3 Oxygen Module Assembly
 Figure 3 (Sheet 4)

35-21-51

ILLUSTRATED PARTS LIST
 01.1 Page 1086
 Mar 01/00



F

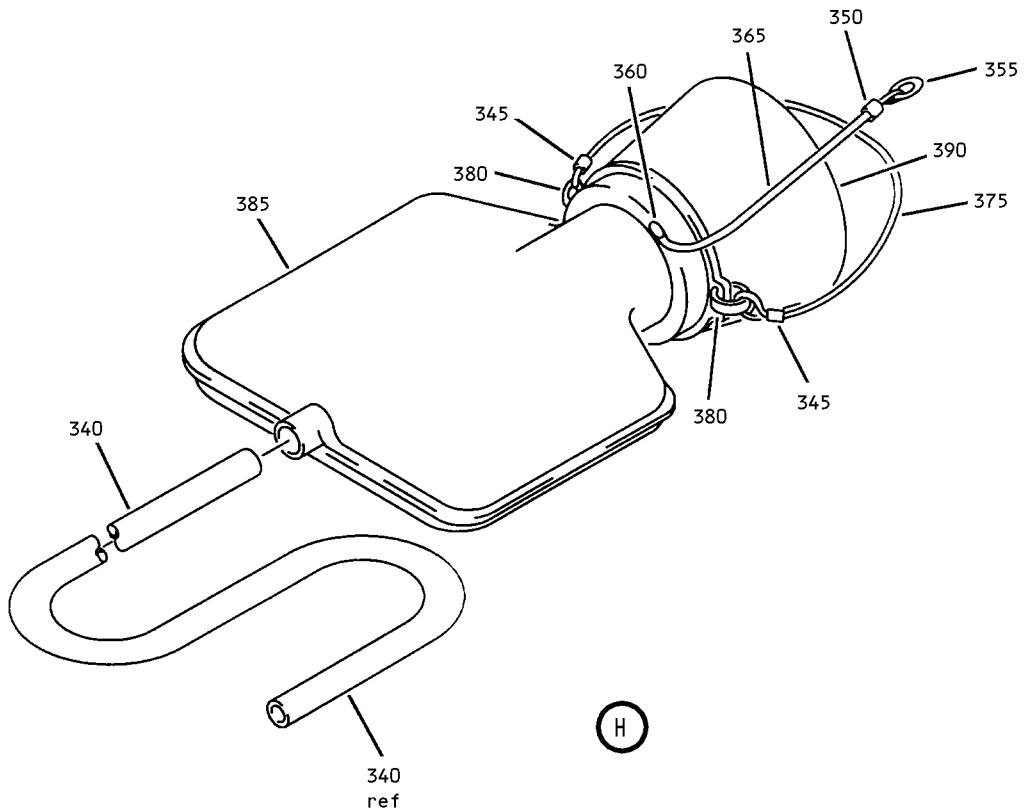


G

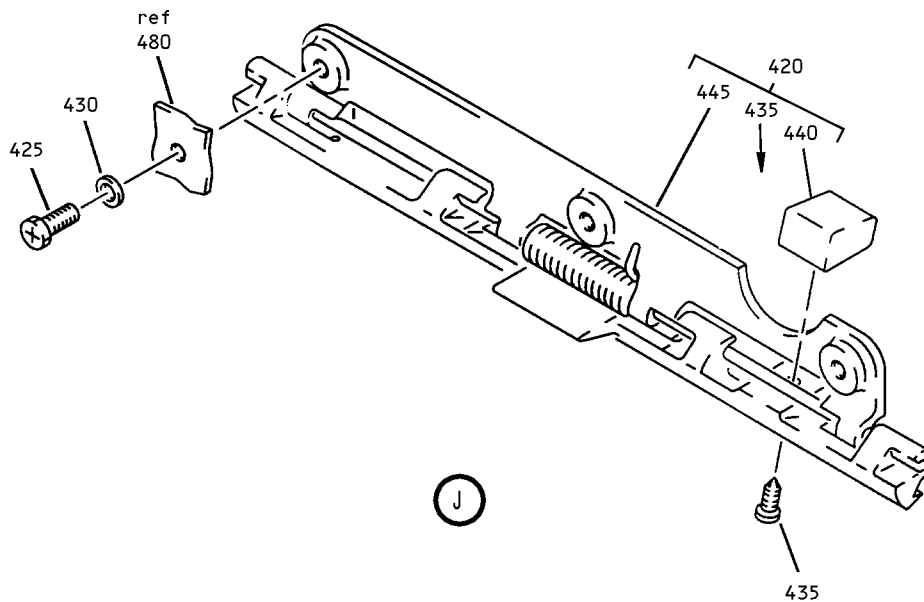
Flight Attendant'S Panel No. 3 Oxygen Module Assembly
Figure 3 (Sheet 5)

35-21-51

ILLUSTRATED PARTS LIST
01.1 Page 1086A
Mar 01/00



(H)

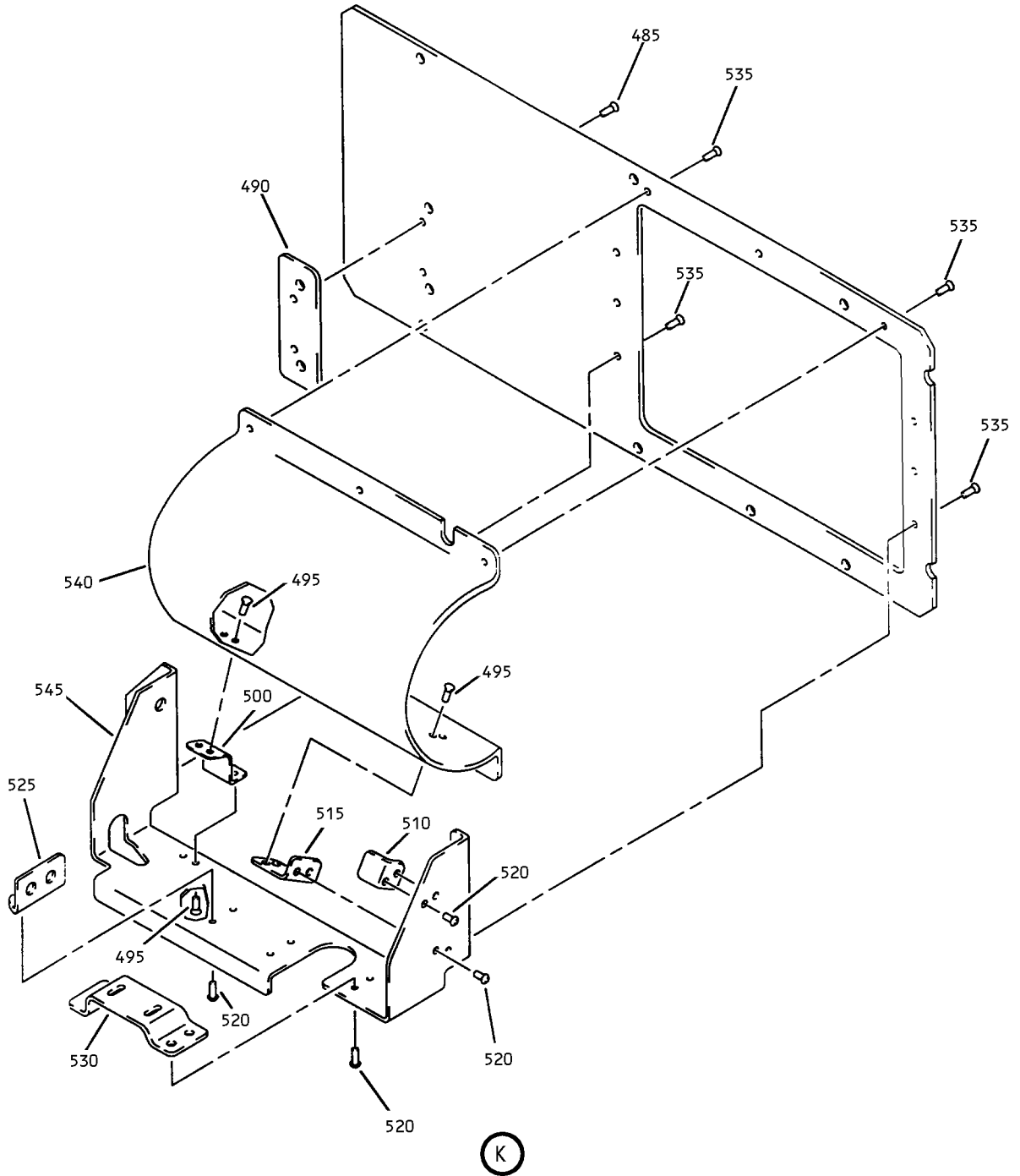


(J)

Flight Attendant'S Panel No. 3 Oxygen Module Assembly
 Figure 3 (Sheet 6)

35-21-51

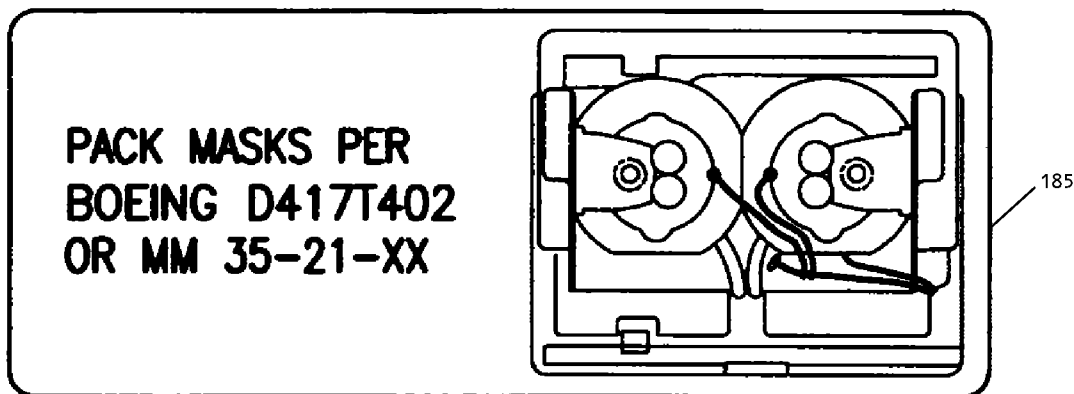
ILLUSTRATED PARTS LIST
 01.1 Page 1086B
 Mar 01/00



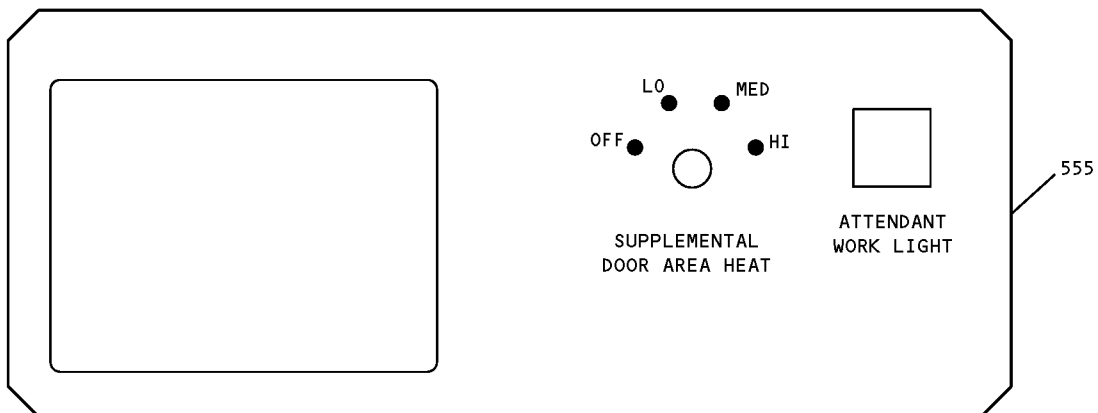
Flight Attendant'S Panel No. 3 Oxygen Module Assembly
Figure 3 (Sheet 7)

35-21-51

ILLUSTRATED PARTS LIST
01.1 Page 1086C
Mar 01/00



(L)



(M)

Flight Attendant'S Panel No. 3 Oxygen Module Assembly
Figure 3 (Sheet 8)

35-21-51

ILLUSTRATED PARTS LIST
01.1 Page 1086D
Mar 01/00


BOEING
 COMPONENT
 MAINTENANCE MANUAL

FIG. & ITEM	PART NO.	AIRLINE PART NUMBER	NOMENCLATURE 1234567	EFF CODE	QTY PER ASSY
R 03- -1A	417T4206-408		MODULE ASSY-FLIGHT ATTENDANT PNL NO. 3 OXY (POST SB 767-35-0027)	BF	RF
R -1B	417T4206-455		MODULE ASSY-FLIGHT ATTENDANT PNL NO. 3 OXY	CF	RF
R -1C	417T4206-601		MODULE ASSY-FLIGHT ATTENDANT PNL NO. 3 OXY	CH	RF
R 5	MS35649-282		.NUT	BF,CH	3
R 10	MS35333-38		.WASHER	BF,CH	3
R 15	BACC10DK6		.CLAMP	BF,CH	3
R 20	N2088		.PLUG-FILLER (V75345) (SPEC BACP20BA1) (OPT SZ7105 (V95272)) (OPT 4841 (V84914))	BF,CH	3
R 25	SL6156-08		.STUD- (V97393)	BF,CH	3
R 30	NAS1801-08-4		.SCREW	BF,CH	9
R 35	NAS1801-08-5		.SCREW	BF,CH	2
R 40	NAS1149DN832J		.WASHER	BF,CH	11
R 45	417T4312-12		.STRAP	BF,CH	1
R 50	417T6007-10		.SHROUD ASSY	BF	1
R -50A	417T6007-30		.SHROUD ASSY	CH	1
R 55	NAS1394-08		..INSERT- (OPT ITEMS 55A, 55B, 55C, 55D)	BF,CH	11
R -55A	TNC2C0164		..INSERT- (V29372) (OPT ITEMS 55, 55B, 55C, 55D)	BF,CH	11
R -55B	1185-2CN0164		..INSERT- (V26014) (OPT ITEMS 55, 55A, 55C, 55D)	BF,CH	11

35-21-51

 ILLUSTRATED PARTS LIST
 01.1 Page 1086E
 Mar 01/00

FIG. & ITEM	PART NO.	AIRLINE PART NUMBER	NOMENCLATURE 1234567	EFF CODE	QTY PER ASSY
R 03- -55C	KN0832JMXSZ		..INSERT- (V29372) (OPT ITEMS 55, 55A, 55B, 55D)	BF,CH	11
R -55D	MS51830A104		..INSERT- (OPT ITEMS 55, 55A, 55B, 55C)	BF,CH	11
R 60	417T6014-14		..STIFFENER	BF,CH	1
R 65	417T6005-4		..BRACKET ASSY-MTG	BF,CH	1
R 70	BACS21AP80R		...STUD- (OPT ITEM 70A)	BF,CH	1
R -70A	82-99-341-08		...STUD- (V94222) (SPEC BACS21AP80RP) (OPT ITEM 70)	BF,CH	1
R 75	BACR12AG2C		...RING	BF,CH	1
R 80	417T6014-6		...BRACKET	BF,CH	1
R 85	417T6005-2		..BRACKET ASSY-MTG	BF,CH	1
R 90	BACS21AP80R		...STUD- (OPT ITEM 90A)	BF,CH	1
R -90A	82-99-341-08		...STUD- (V94222) (SPEC BACS21AP80RP) (OPT ITEM 90)	BF,CH	1
R 95	BACR12AG2C		...RING	BF,CH	1
R 100	417T6014-3		...BRACKET	BF,CH	1
R 105	417T6007-4		..HINGE	BF,CH	1
R 110	417T6007-11		..SHROUD	BF	1
R -110A	417T6007-31		..SHROUD	CH	1
R 115	417T4311-15		.TRIM	CF	2
R 120	417T4311-16		.TRIM	CF	2
R 125	417T4268-127		.PANEL ASSY	BF	1
R -125A	417T4268-165		.PANEL ASSY	CF	1
R -125B	417T4268-201		.PANEL ASSY	CH	1
R 130	BACS12FA3K26		..SCREW	BF,CF ,CH	2
R 135	BACW10P63AL		..WASHER	BF,CF ,CH	2
R 138	MS25440-3		..WASHER	BF,CF ,CH	2

35-21-51

 ILLUSTRATED PARTS LIST
 01.1 Page 1086F
 Mar 01/00


BOEING
 COMPONENT
 MAINTENANCE MANUAL

FIG. & ITEM	PART NO.	AIRLINE PART NUMBER	NOMENCLATURE 1234567	EFF CODE	QTY PER ASSY
R 03-140	H10-3BAC		..NUT- (V15653) (SPEC BACN10JC3) (OPT NS202101-02 (V80539)) (OPT RMLH9075-3W (V72962)) (OPT VN303A02 (V92215)) (OPT 96-02 (V80539)) (OPT BRH10A3 (V52828)) (OPT T6S1032J (V11815))	BF,CF ,CH	4
R 145	69B51616-1		..BUSHING	BF,CF ,CH	2
R 150	417T4315-6		..SPRING-TORSION	BF,CF ,CH	1
R 155	417T4315-5		..SPRING-TORSION	BF,CF ,CH	1
R 160	417T4265-23		..DOOR ASSY	BF	1
R -160A	417T4265-25		..DOOR ASSY	CF,CH	1
R 165	BACR15BCE4AD		...RIVET- (SIZE DETERMINE ON INST)	BF,CF ,CH	4
R 170	417T4310-5		...BRACKET	BF,CF ,CH	1
R 175	417T4309-1		...STRIKE	BF,CF ,CH	1
R 180	417T4310-3		...PANEL	BF,CF ,CH	1
R 185	BAC27TPPS6394		...MARKER-ALUMINUM FOIL	CF,CH	1
R 190	3065		..BUMPER- (V13862)	BF,CF ,CH	1
R 195	NAS514P1032-6		..SCREW	BF,CF ,CH	4
R 200	417T4250-3		..CLAMP ASSY	BF,CF ,CH	1
R 205	417T4250-4		..CLAMP ASSY	BF,CF ,CH	1
R 210	5-64X11-8MDP		...PIN- (V00287) (OPT ITEMS 210A, 210B)	BF,CF ,CH	2
R -210A	MS39086-26		...PIN-SPRING (OPT ITEMS 210, 210B)	BF,CF ,CH	2

35-21-51

ILLUSTRATED PARTS LIST

01.1 Page 1086G

Mar 01/00

FIG. & ITEM	PART NO.	AIRLINE PART NUMBER	NOMENCLATURE 1234567	EFF CODE	QTY PER ASSY
R 03- -210B	CZ0781125		...PIN-SPRING (VONHT3) (OPT ITEMS 210, 210A)	BF,CF ,CH	2
R 215	417T4250-7		...STRAP	BF,CF ,CH	1
R 220	BACR15BB3AD2		...RIVET- (SIZE DETERMINE ON INST)	BF,CF ,CH	2
R 225	30L20-2AA		...LATCH- (V29372)	BF,CF ,CH	1
R 230	AN415-4		...PIN-LOCK	BF,CF ,CH	1
R 235	417T4250-6		...COVER-STRAP	BF,CF ,CH	1
R 240	417T4255-1		...BLOCK ASSY	BF,CF ,CH	1
R 245	MS21207C4-4	SCREW	BF,CF ,CH	1
R 250	417T4255-4	COVER	BF,CF ,CH	1
R 255	417T4255-3	STRAP	BF,CF ,CH	1
R 260	6041-3BR0375	INSERT- (V01556)	BF,CF ,CH	2
R 265	417T4255-2	BLOCK	BF,CF ,CH	2
R 270	117003-12		..GENERATOR-2 PERSON (V16827) (SPEC S417T401-25)	BF,CF	1
R -270A	E71720-00		..GENERATOR-2 PERSON (VD1379) (SPEC S417T401-45)	CH	1
R 275	417T4262-3		..CABLE ASSY-RELEASE	BF,CF ,CH	1
			ATTACHING PARTS		

35-21-51

 ILLUSTRATED PARTS LIST
 01.1 Page 1086H
 Mar 01/00


BOEING
 COMPONENT
 MAINTENANCE MANUAL

FIG. & ITEM	PART NO.	AIRLINE PART NUMBER	NOMENCLATURE 1234567	EFF CODE	QTY PER ASSY
R 03-280	NAS1801-08-6		..SCREW	BF,CF ,CH	1
R 285	NAS1149FN832P		..WASHER	BF	1
R -285A	NAS1149FN832J		..WASHER	CF,CH	1
			-----*		
R 290	MS20659-102		...TERMINAL- (OPT ITEM 290A)	BF,CF ,CH	1
R -290A	A87		...TERMINAL- (V59730) (OPT ITEM 290)	BF,CF ,CH	1
R 295	417T4307-2		...PIN	BF,CF ,CH	1
R 300	417T4308-1		...STOP-LANYARD	BF,CF ,CH	1
R 305	417T4262-2		...ROPE-WIRE	BF,CF ,CH	1
R 310	NAS603-6		..SCREW	BF,CF ,CH	1
R 315	NAS1149F0332P		..WASHER	BF	1
R -315A	NAS1149F0332J		..WASHER	CF,CH	1
R 320	H10-3BAC		..NUT- (V15653) (SPEC BACN10JC3) (OPT NS202101-02 (V80539)) (OPT RMLH9075-3W (V72962)) (OPT VN303A02 (V92215)) (OPT 96-02 (V80539)) (OPT BRH10A3 (V52828)) (OPT T6S1032J (V11815))	BF,CF ,CH	1

35-21-51

 ILLUSTRATED PARTS LIST
 01.1 Page 1086I
 Mar 01/00



COMPONENT
MAINTENANCE MANUAL

FIG. & ITEM	PART NO.	AIRLINE PART NUMBER	NOMENCLATURE 1234567	EFF CODE	QTY PER ASSY
R 03-325	NAS42DD6-40FC		..SLEEVE	BF,CF,CH	2
R 330	MS21919DG6		..CLAMP	BF,CF,CH	1
R 335	417T4205-101		..MASK ASSY	BF	2
R -335A	289-801-053		..MASK ASSY- (V53655) (SPEC S418W001-108)	CF,CH	2
R 340	417T4205-12		...TUBING	BF	1
R 345	417T4205-7		...CLAMP-HEAD STRAP	BF	2
R 350	417T4205-50		...CLAMP-LANYARD	BF	1
R 355	417T4205-96		...RING	BF	1
R 360	417T4205-34		...EYELET	BF	1
R 365	417T4205-24		...LANYARD	BF	1
	370		DELETED		
R 375	417T4205-6		...STRAP-HEAD	BF	1
R 380	417T4205-32		...CLIP-HEAD STRAP	BF	2
R 385	417T4205-9		...BAG-OXY	BF	1
R 390	417T4205-8		...MASK-OXY	BF	1
R 395	NAS601-6		..SCREW	BF,CF,CH	2
R 400	NAS620-6		..WASHER	BF,CF,CH	2
R 405	NAS1149FN632J		..WASHER	BF	2
R -405A	NAS1149FN632P		..WASHER	CF,CH	2
R 410	H10-06BAC		..NUT- (V15653) (SPEC BACN10JC06) (OPT RMLH9075-62W (V72962)) (OPT VN303A62 (V92215)) (OPT 96-62 (V80539)) (OPT NS202101-62 (V80539)) (OPT T6S632J (V11815)) (OPT BRH10A06 (V52828))	BF,CF,CH	2

35-21-51


BOEING
 COMPONENT
 MAINTENANCE MANUAL

FIG. & ITEM	PART NO.	AIRLINE PART NUMBER	NOMENCLATURE 1234567	EFF CODE	QTY PER ASSY
R 03-415	78175-4		..ACTUATOR-DOOR LATCH (V09790) (SPEC S417T402-4)	BF,CF ,CH	1
R 420	417T4267-1		..LATCH ASSY	BF,CF ,CH	1
R 425	NAS1801-08-6		ATTACHING PARTS ..SCREW	BF,CF ,CH	3
R 430	NAS1149FN832P		..WASHER	BF	3
R -430A	NAS1149FN832J		..WASHER -----*-----	CF,CH	3
R 435	MS51861-4C		...SCREW	BF,CF ,CH	1
R 440	417T4314-1		...BLOCK-EXTENSION	BF,CF ,CH	1
R 445	417T4267-2		...LATCH ASSY	BF,CF ,CH	1
R 455	BACG20ZA0200		..GROMMET	BF,CF ,CH	1
R 460	MS35489-4X		..GROMMET	BF,CF ,CH	2
R 465	C0909A08-02PN		..CONNECTOR- (V13556) (SPEC BACC63BN8-2P) (OPT 48-63N8-2P (V02660))	BF,CF ,CH	1
R 470	BACC10GH08		..CLAMP-CABLE	BF,CF ,CH	1
R 475	T05R0		..STRAP- (V53421) (SPEC BACS38K1) (OPT PLT2SM (V06383))	BF,CF ,CH	1

35-21-51

 ILLUSTRATED PARTS LIST
 01.1 Page 1086K
 Mar 01/00

FIG. & ITEM	PART NO.	AIRLINE PART NUMBER	NOMENCLATURE 1234567	EFF CODE	QTY PER ASSY
R 03-480	417T4266-44		..FACEPLATE ASSY	BF,CF ,CH	1
R 485	BACR15CE4D		...RIVET- (SIZE DETERMINE ON INST)	BF,CF ,CH	2
R 490	417T4312-4		...SPACER-BLOCK	BF,CF ,CH	1
R 495	BACR15BA3AD		...RIVET- (SIZE DETERMINE ON INST)	BF,CF ,CH	6
R 500	417T4312-6		...BRACKET	BF,CF ,CH	1
R 505	BACR15BB3AD		...RIVET- (SIZE DETERMINE ON INST)	BF,CF ,CH	4
R 510	417T4312-18		...STOP-DOOR	BF,CF ,CH	1
R 515	417T4312-5		...BRACKET	BF,CF ,CH	1
R 520	BACR15BB4AD		...RIVET- (SIZE DETERMINE ON INST)	BF,CF ,CH	6
R 525	417T4312-7		...BRACKET	BF,CF ,CH	1
R 530	417T4312-10		...BRACKET	BF,CF ,CH	1
R 535	BACR15CE4D		...RIVET- (SIZE DETERMINE ON INST)	BF,CF ,CH	9
R 540	417T4312-13		...SHIELD-MASK	BF,CF ,CH	1
R 545	417T4312-1		...PANEL-SIDE	BF,CF ,CH	1
R 550	417T4311-2		...PANEL-FACEPLATE	BF,CF ,CH	1
R 555	BAC27TPPS4955		..MARKER	BF	1
R -555A	BAC27TPPS6547		..MARKER	CH	1
R -555B	417T4311-1		DELETED		
R -555C	417T4311-17		..DECOR	CF	1

- Item Not Illustrated

35-21-51

ILLUSTRATED PARTS LIST
 01.1 Page 1086L
 Mar 01/00